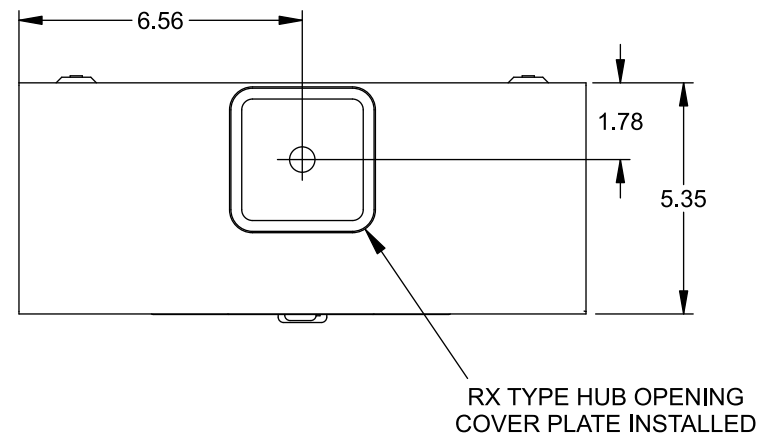


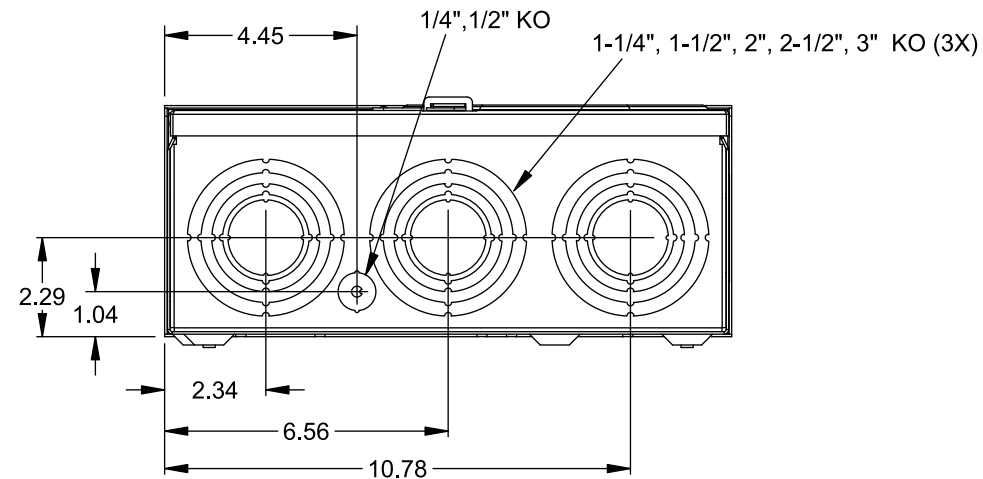
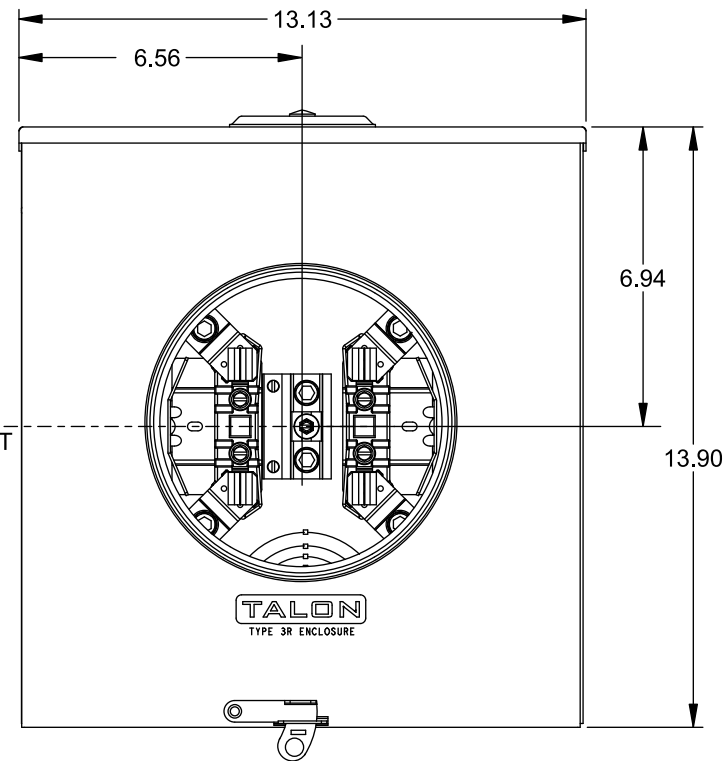
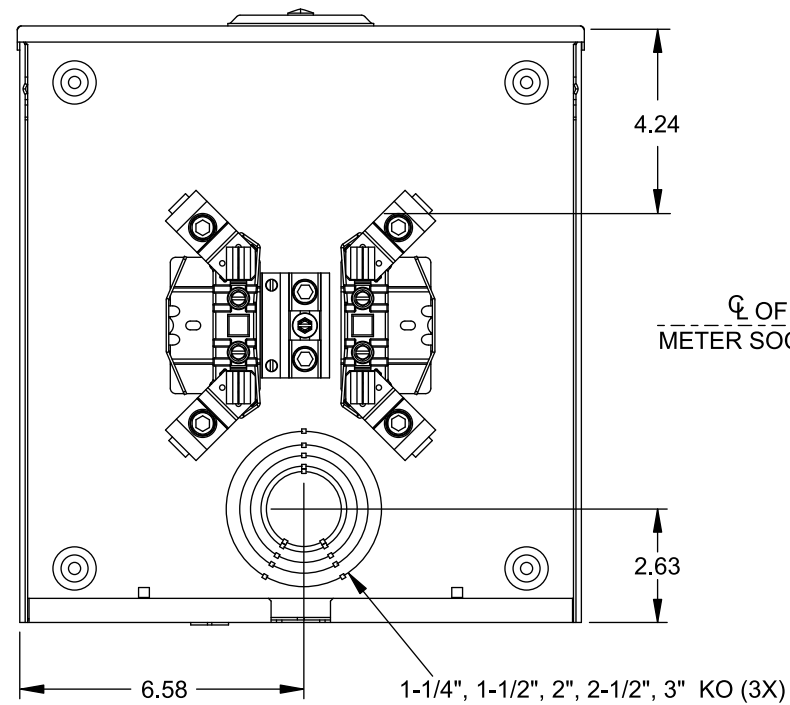
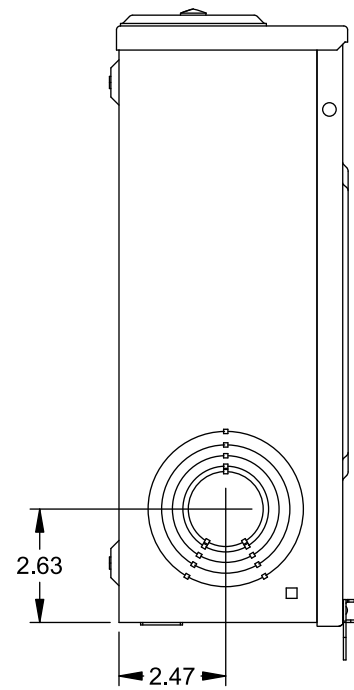
# Catalog Number: UAT817-XGBA

## Features and Ratings

- Ringless Type Meter Socket
- 200A Continuous, 250A Max., 600V AC
- Outdoor Enclosure (NEMA Type 3R)
- Painted G90 Steel
- 1 Phase, 3 Wire
- 4 Jaw Meter Socket
- Meter Socket Type UAT8
- For Overhead & Underground Service
- RX Type Hub Opening, Cover Plate Installed



**VIEW SHOWN WITH COVER REMOVED**



## Connectors, Wire Sizes and Torques

CONNECTOR	WIRE SIZE	TORQUE
LINE, LOAD, NEUTRAL*	#6 - 350 MCM	250 IN.-LBS.
GROUND	#2 - 14 AWG	50 IN.-LBS.

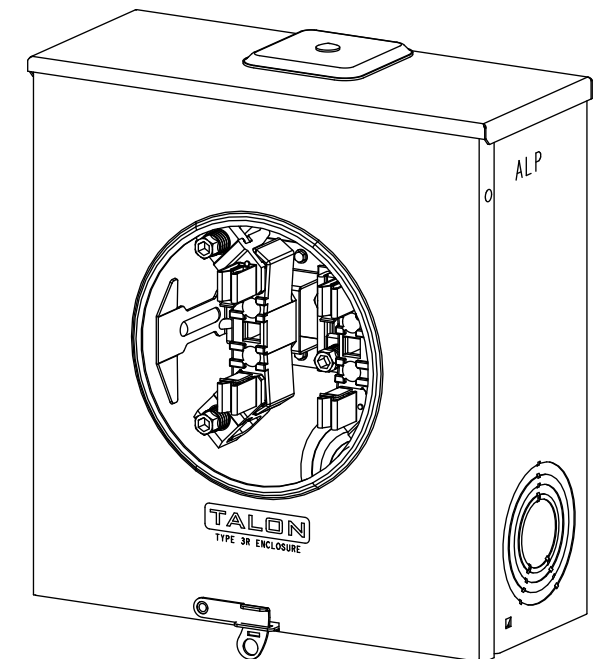
- \* External Hex Drive 1/2"
- \* Internal Hex Drive 5/16"

## Accessories

CONDUIT HUBS (RX Type)	
TRADE SIZE	CATALOG No.
1-1/4 INCH	EC38597 or H38597-2
1-1/2 INCH	EC38598 or H38598-2
2 INCH	EC38599 or H38599-2
2-1/2 INCH	EC38600 or H38600-2
Hub Cover Plate	EC38595 or H38595-1

Meter Opening Cvr Plate  
Cat No: H659-0162

5th Jaw Kit  
Cat. No: EC659-0121



© 2015 Copyright Siemens Industry, Inc.

**TALON**  
**Meter Socket**

Description: **200A Cont, 4 Jaw, UAT8, 600V AC, Painted Steel Enclosure**

JEL 6/30/15 | DO NOT SCALE DRAWING | Dwg No: **UAT817-XGBA**