

SIEMENS

Indoor/Outdoor Service Entrance Module

Catalog Number

WS31200BU

Enclosure

Type 3R

Module Rating:

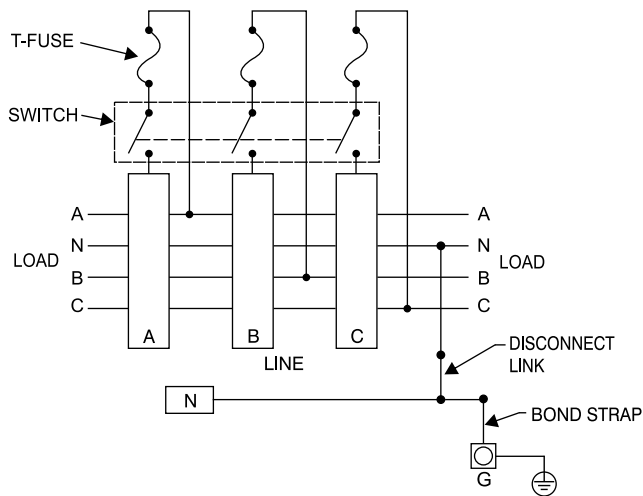
1200 Amps, Max; See fuse for actual rating.
 208Y/120 Volts~, 60 HZ, 3 Phase, 4 Wire
 240/120 Volts~, 60 HZ, 3 Phase, 4 Wire, Delta (B Phase is High Leg)

For installation by Qualified Person in accordance with all local electrical codes and/or the National Electrical Code®.

Suitable Only For Use As Service Equipment unless bond strap is removed. Apply appropriate label provided next to switch handle.

For Underground Service Only.

Use 75°C Copper or Aluminum Conductors.



See adjacent label for additional marking information.

49311265

Siemens Industry, Inc. Norcross, Georgia U.S.A.

D

409000940101 Rev.01

© The National Electrical Code is a registered trademark of the National Fire Protection Association.
 © 2019 Copyright Siemens Industry, Inc.

SIEMENS

Molded case switch trip position is indicated by handle position midway between ON and OFF. To reset, move handle to OFF position then turn ON.

This device has a maximum short circuit current rating of 100,000 amps RMS symmetrical at 240 Volts~. Use Class T (300V) fuses only. Continuous load current not to exceed 80% of the rating of the fuses in other than motor circuits. Replacement switch must be manufactured by Siemens and must be of the correct type and rating as indicated below. Use of other switches in this device will void the warranty.

Replacement Parts:

Molded Case Switch: Catalog Number NXD63S120A
 Phase and Neutral Lug Kit: Catalog Number LK34500 (kit contains 4 lugs)

Terminals A, B, C and N:

Wire size 250-500 kcmil. Torque terminals to 375 lb.-in.

Ground terminal G:

Wire size #6-250 kcmil. Torque terminal to 250 lb.-in.

Torque fuse mounting hardware to 500 lb.-in.

Connect Modules Using:

	Cat. No.	Torque
Quick Connect	QC4	400-440 lb-in (35-36 ft.-lb.)

IMPORTANT - for use with:

Module Description	Siemens Series#
Main Breakers	WB(M), WEB(M), WXB(M), BFT(M)
Switches	WMP, WS, WES, WXS
Tap/Terminal Boxes	WTB, WET, WT_PU, WTBN, WBT(M)
Pull Boxes	WMMB
Meter Module	(W)MM, (W)MT, (W)ML, (W)MK, (W)MLZ(F), (W)MN
Meter Combinations	WC, WCL, WCT,
Extension Box	WSP, WSPD
Bussed Elbow	BE, WELB

Important: Do not allow petroleum based (hydrocarbon) sprays, chemicals, solvents or any paint to contact interior components. Petroleum based chemicals can cause degradation of electrical insulating materials.

Siemens Industry, Inc. Norcross, Georgia U.S.A.

D

409000940201 Rev.01

© 2019 Copyright Siemens Industry, Inc.