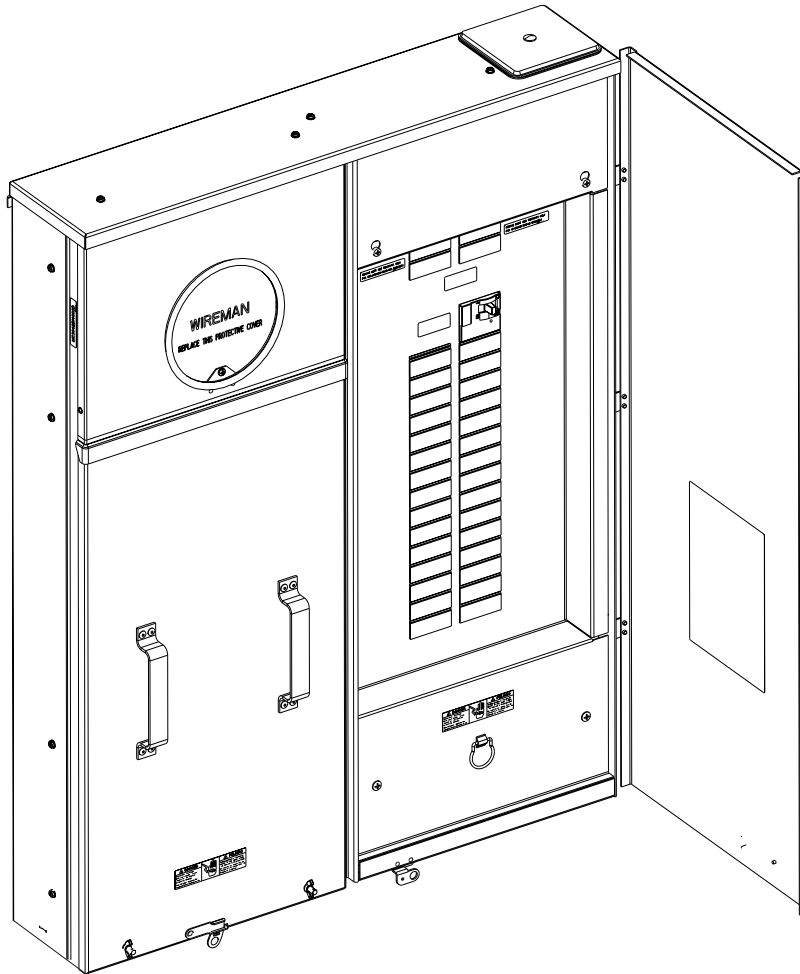


Meter/Load Center Combinations

BY1451GL/BY1455GL



Features

- UL Listed only for use as service entrance equipment
- 22,000 AIC rating
- Underground feed only
- EUSERC approved
- 200A factory installed main breaker
- Plug-in meter socket / ring type
- Uses HV type hub
- Provisions for up to 100A (BY1451GL) and 150 or 200A (BY1455GL) field installed secondary main
- Steel breaker mounting base pan
- Side-hinged load center door
- Surface mount
- Semiflush mounting available with addition of flush rail kit

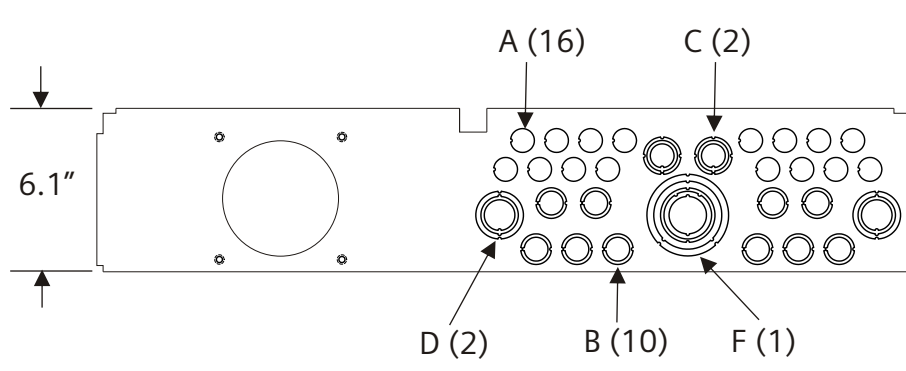
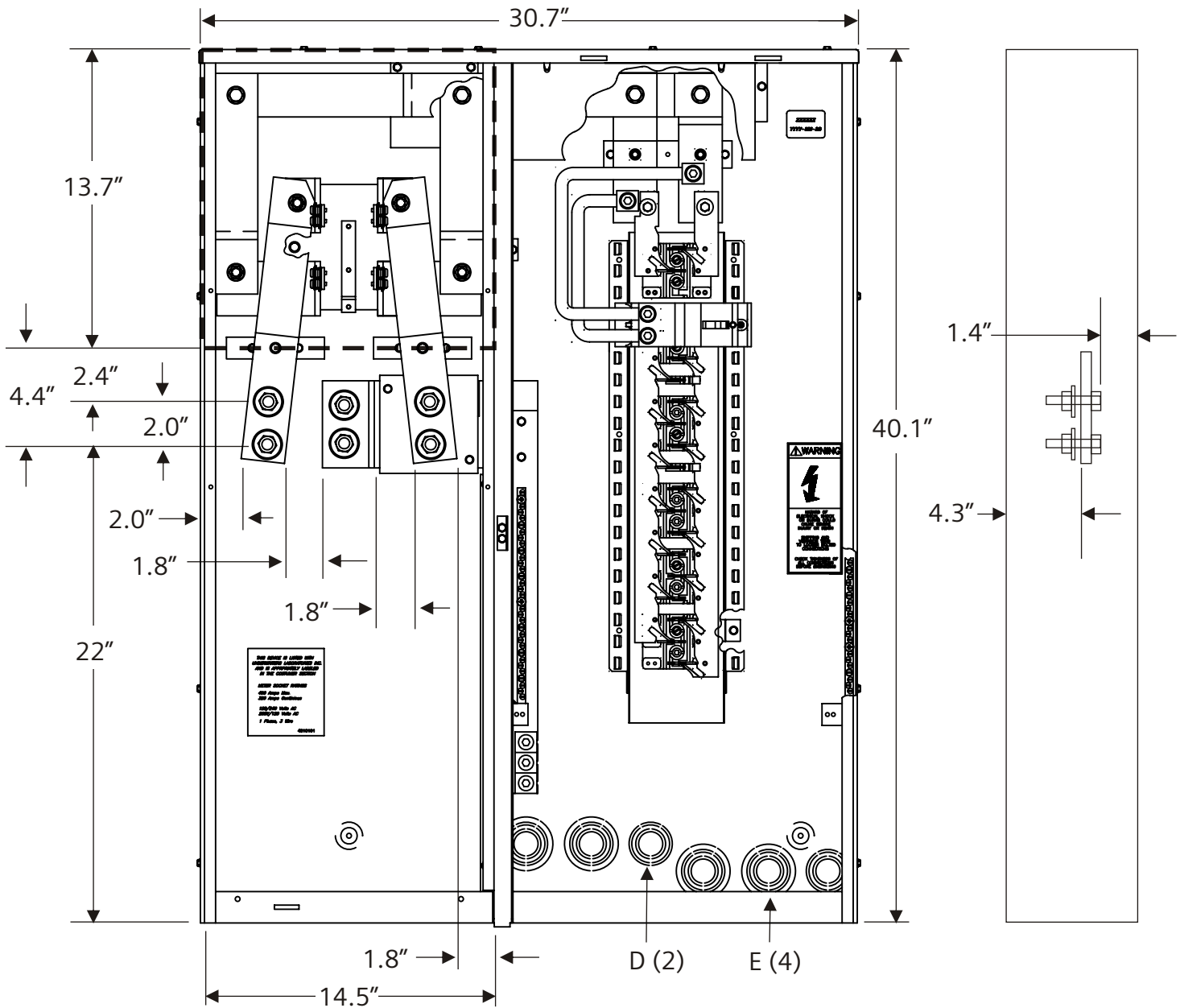
Accessories

- 1" Filler Plates - ECQF3
- Flush Rail Kit - FRK30X40
- HV Hub Provisions -
 - ECHV200 (2")
 - ECHV250 (2.5")
 - ECHV300 (3")
 - ECHV350 (3.5")
 - ECHV400 (4")

Amps Max	Socket Rating	No. Of Spaces	No. Of Circuits	Catalog Number	Feed	Main Type	Field Added Main Provisions	Bypass Type
300	320	30	40	BY1451GL	UG	MD-HT	MD-T (100A max)	None
400	320	30	40	BY1455GL	UG	MD-HT	MP-T (200A max)	None

fastfax

MURRAY



Knockout Schedule

A = 1/2"

B = 1/2", 3/4"

C = 1/2", 3/4", 1"

D = 3/4", 1", 1-1/4"

E = 3/4", 1", 1-1/4", 1-1/2", 2"

F = 1", 1-1/4", 1-1/2", 2", 2-1/2"