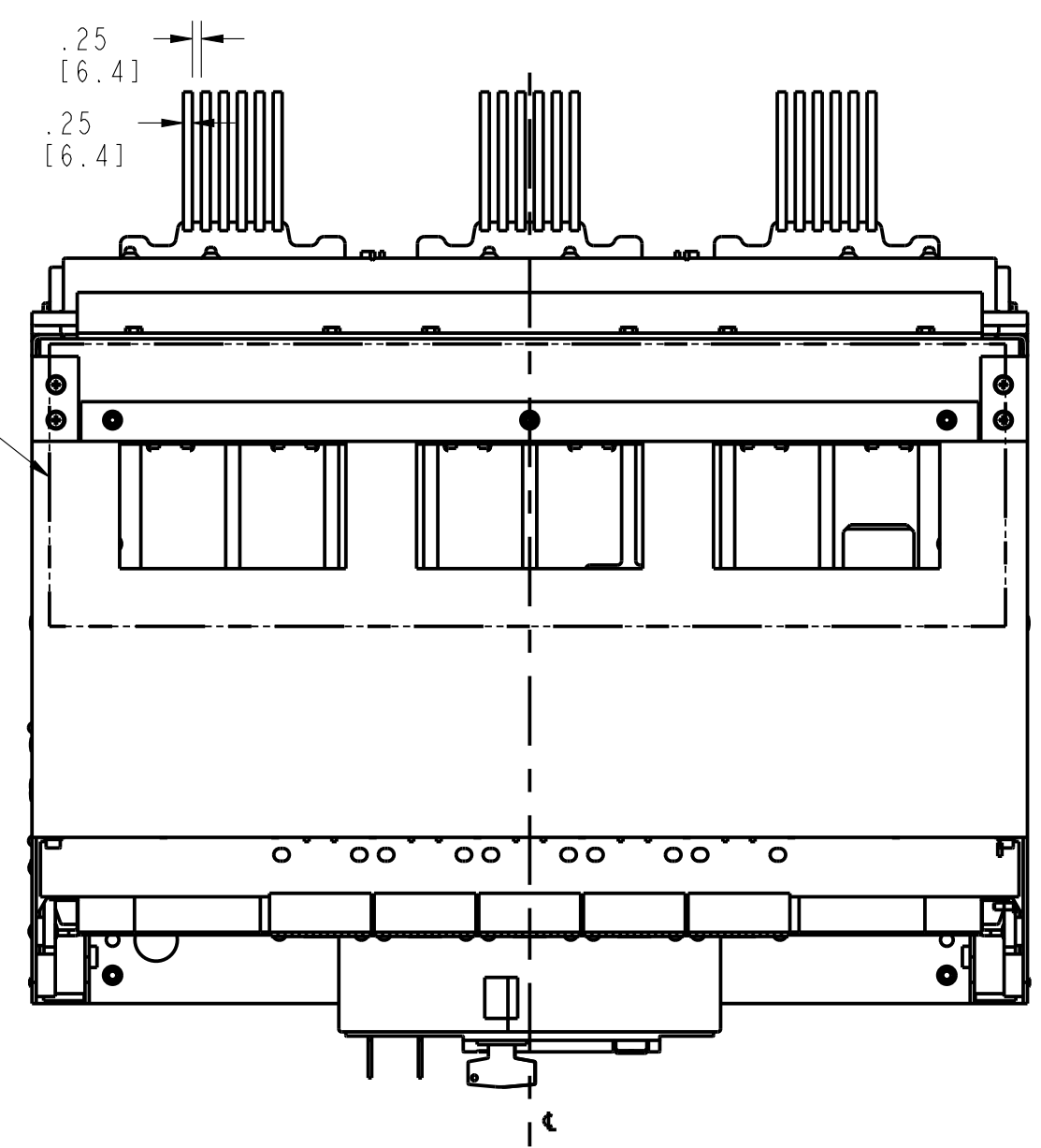
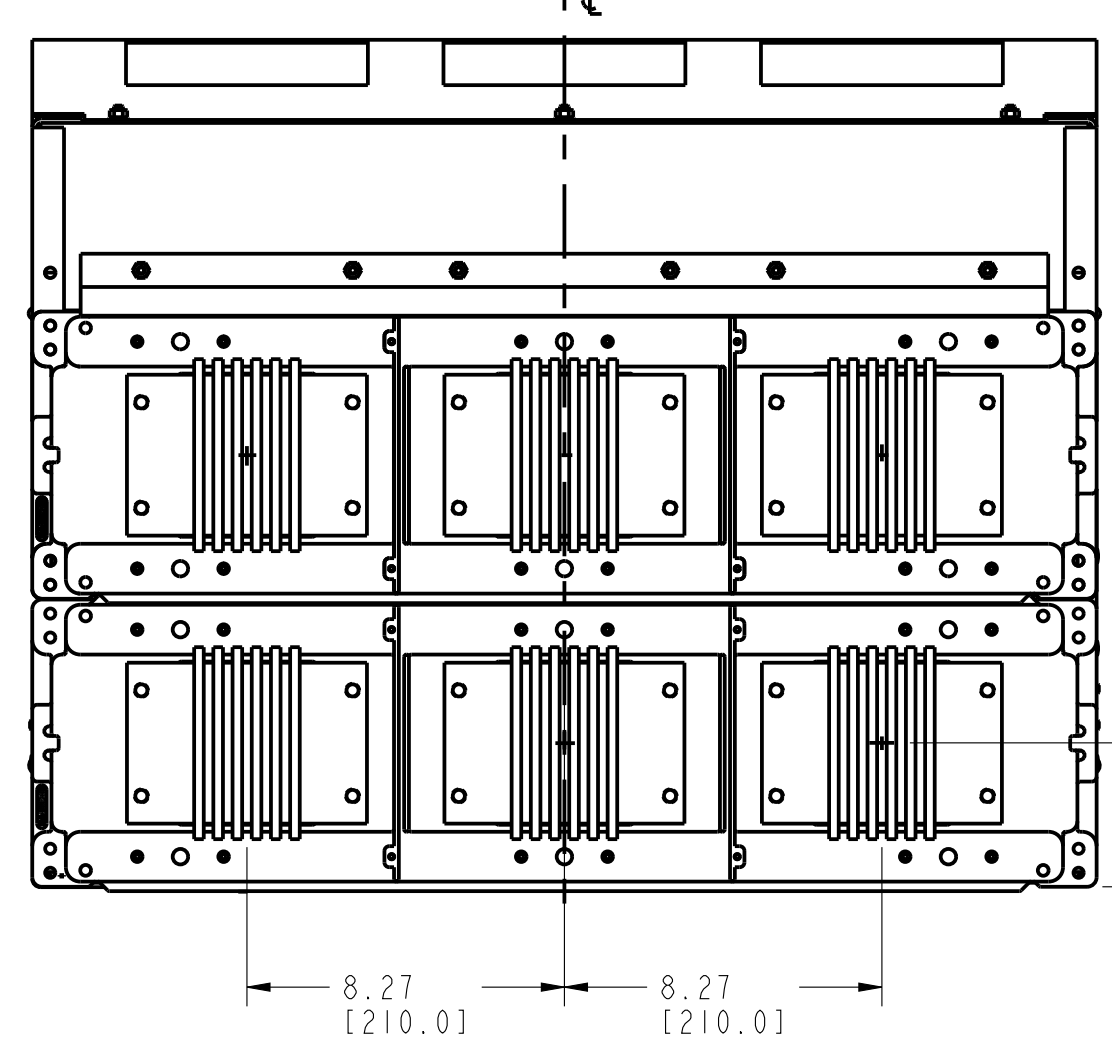


REVISIONS				
REV	ECN/MCR	DESCRIPTION	DATE CHANGED BY	APPROVED BY
OP		INITIAL PRELIMINARY RELEASE	02-23-15	M. Rodr



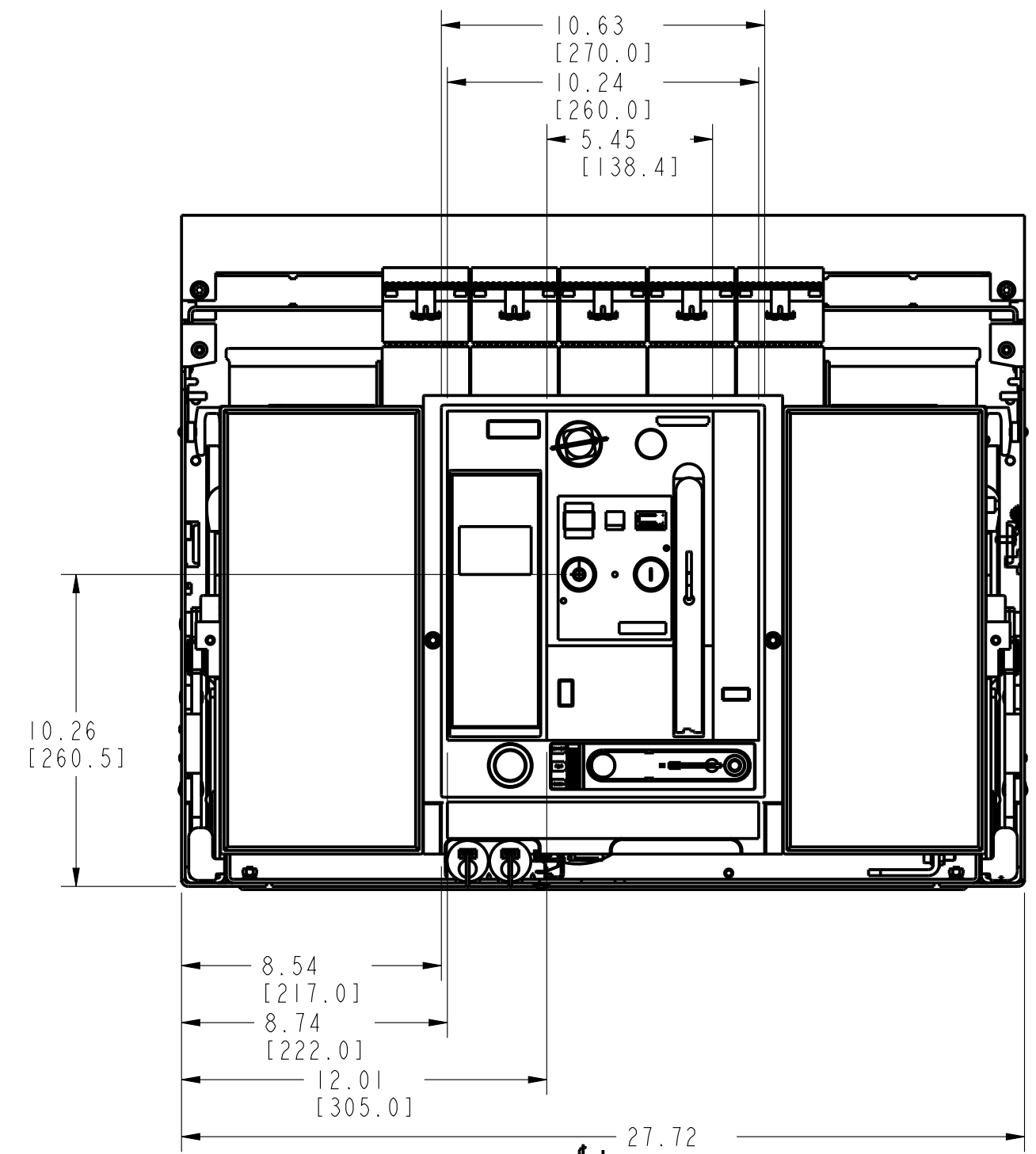
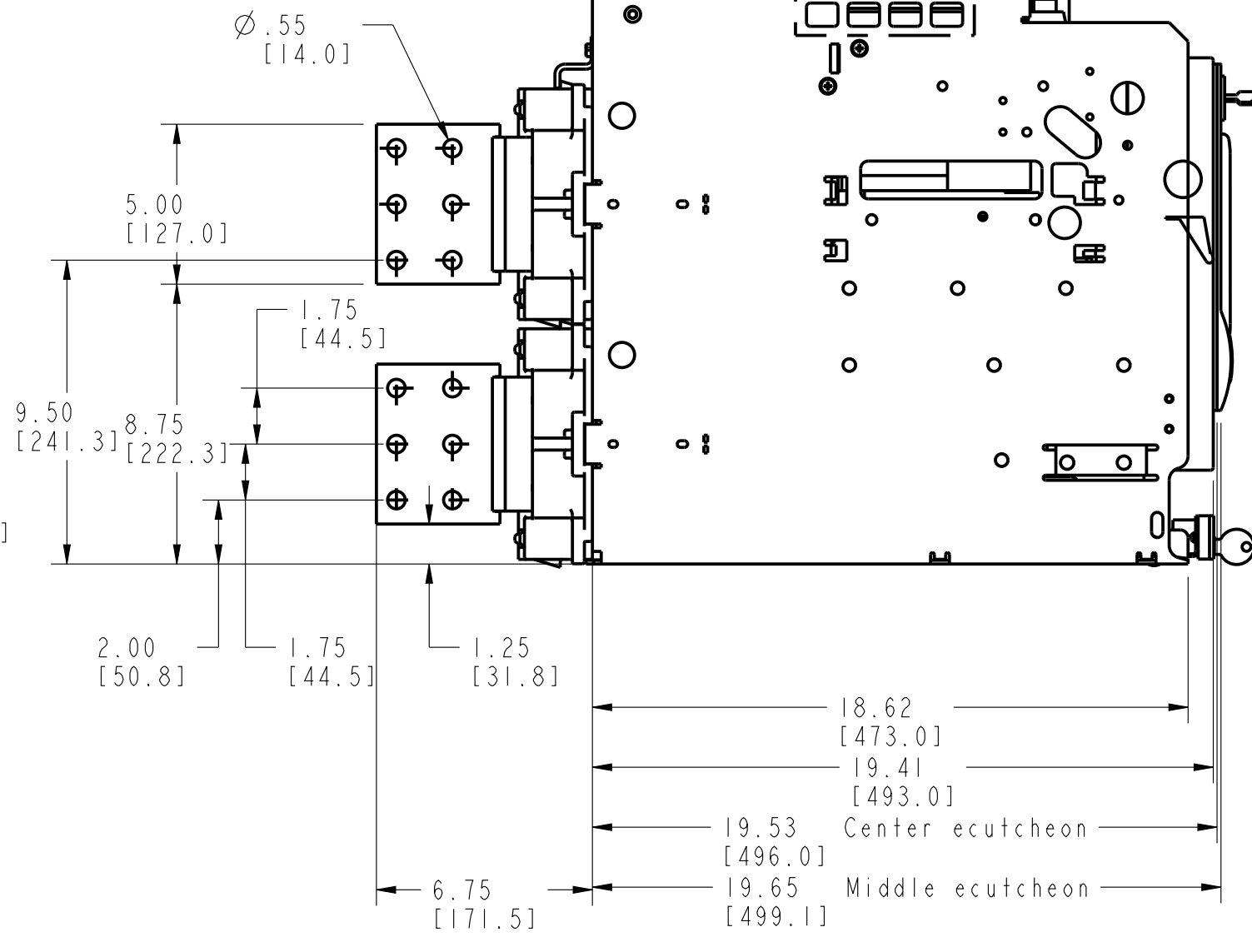
Top ventilation area
(must remain unobstructed)



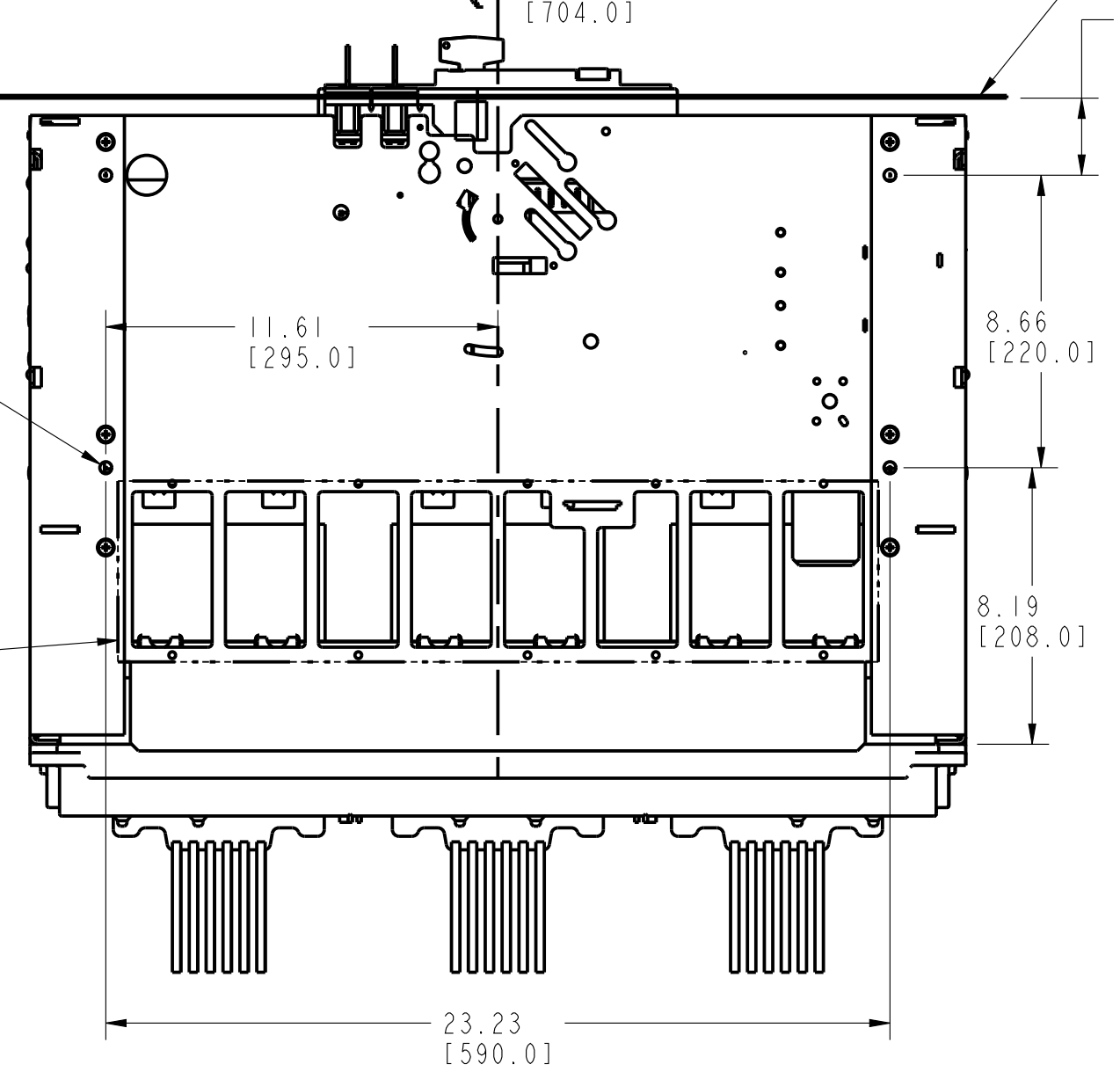
Side ventilation area
(both sides - must remain unobstructed)

Arc chute cover
(optional accessory)

Wiring channel



Door panel



Bottom ventilation area
(to remain unobstructed
for 5000A circuit breakers)

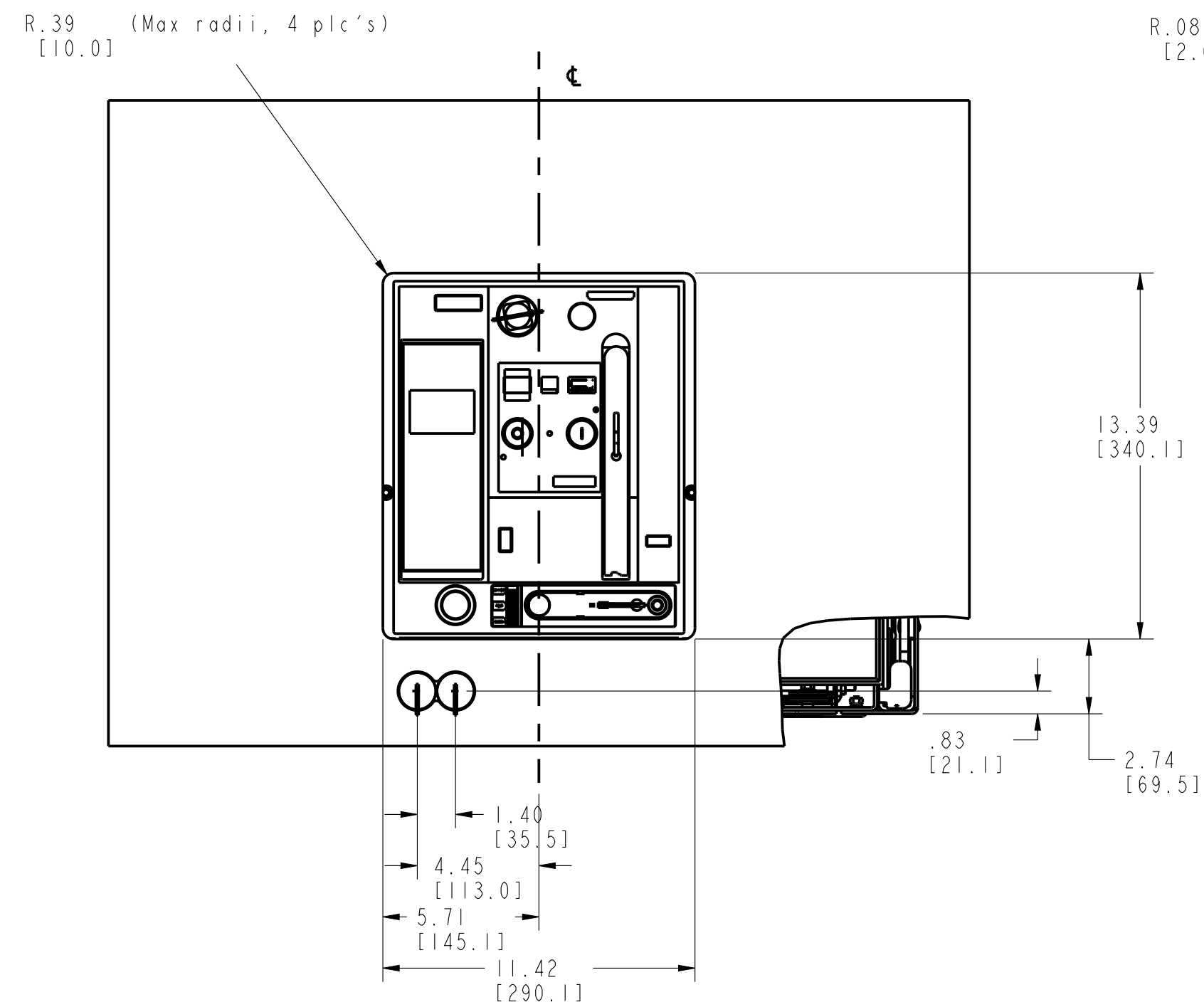
Mounting Holes
Ø .35 [9.0]

814877	Drawing applicable for the following frames WLL3D340, WLL3D350 WLC3D340, WLC3D350
PART OR IDENTIFYING NO.	MATERIAL/SPECIFICATION

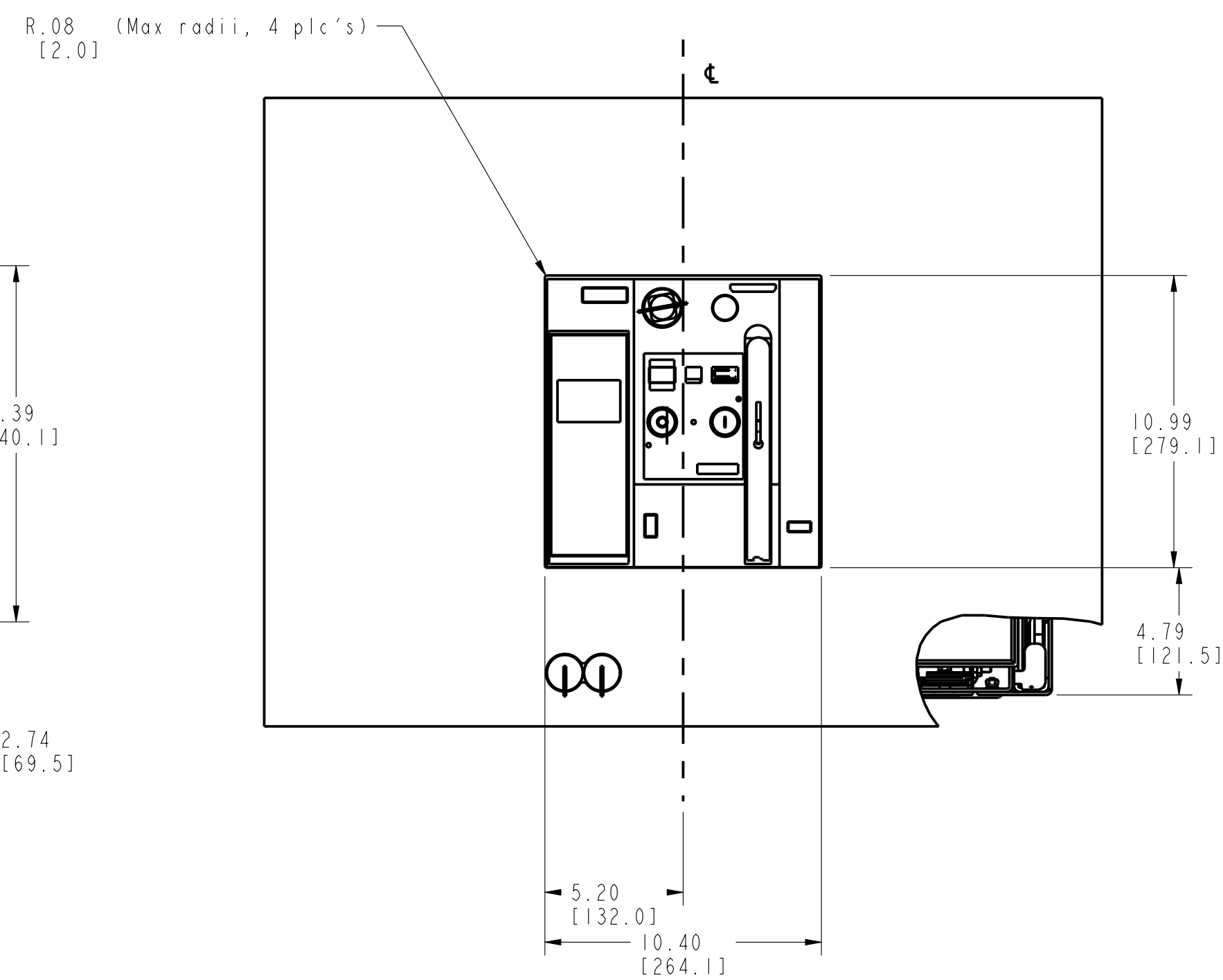
CONFIDENTIAL - PROPERTY OF Siemens Industry, Inc.				
Siemens Industry, Inc.				
UL489 FS3 Drawout 3P Class L + C				
TOLERANCES: .X ± .01 .XXX ± .005 ANGULAR ± 1.00				
DWN M. Rodriguez	DATE 2-23-15	SIZE	FSCM NO.	DWG NO. 814877
CHK S. Puppala	DATE 3-4-15	SCALE 1:5	PROJ FILE 814877	REV. OP
APVD K. Flowers	DATE 3-6-15	SCALE 1:5	PROJ FILE 814877	SHEET 1 OF 2

REVISIONS				
REV	ECN/MCR	DESCRIPTION	DATE CHANGED BY	APPROVED BY
OP		SEE CHANGES DESCRIPTION IN FIRST SHEET	02-24-15	M. Rodr

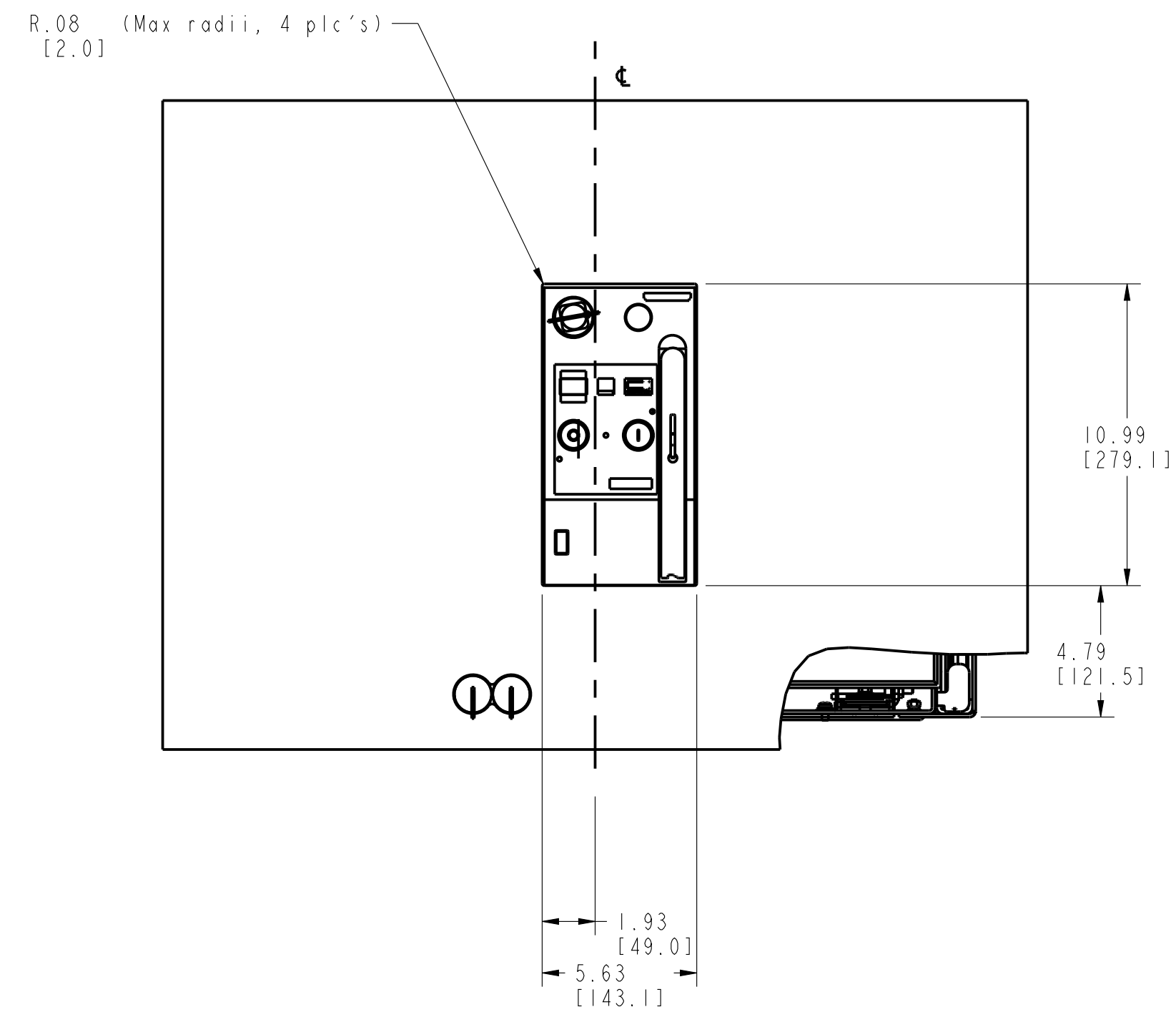
Door cut-out (with edge protector)
(Cut-out after mounting edge protector)



Door cut-out
(Middle escutcheon visible)

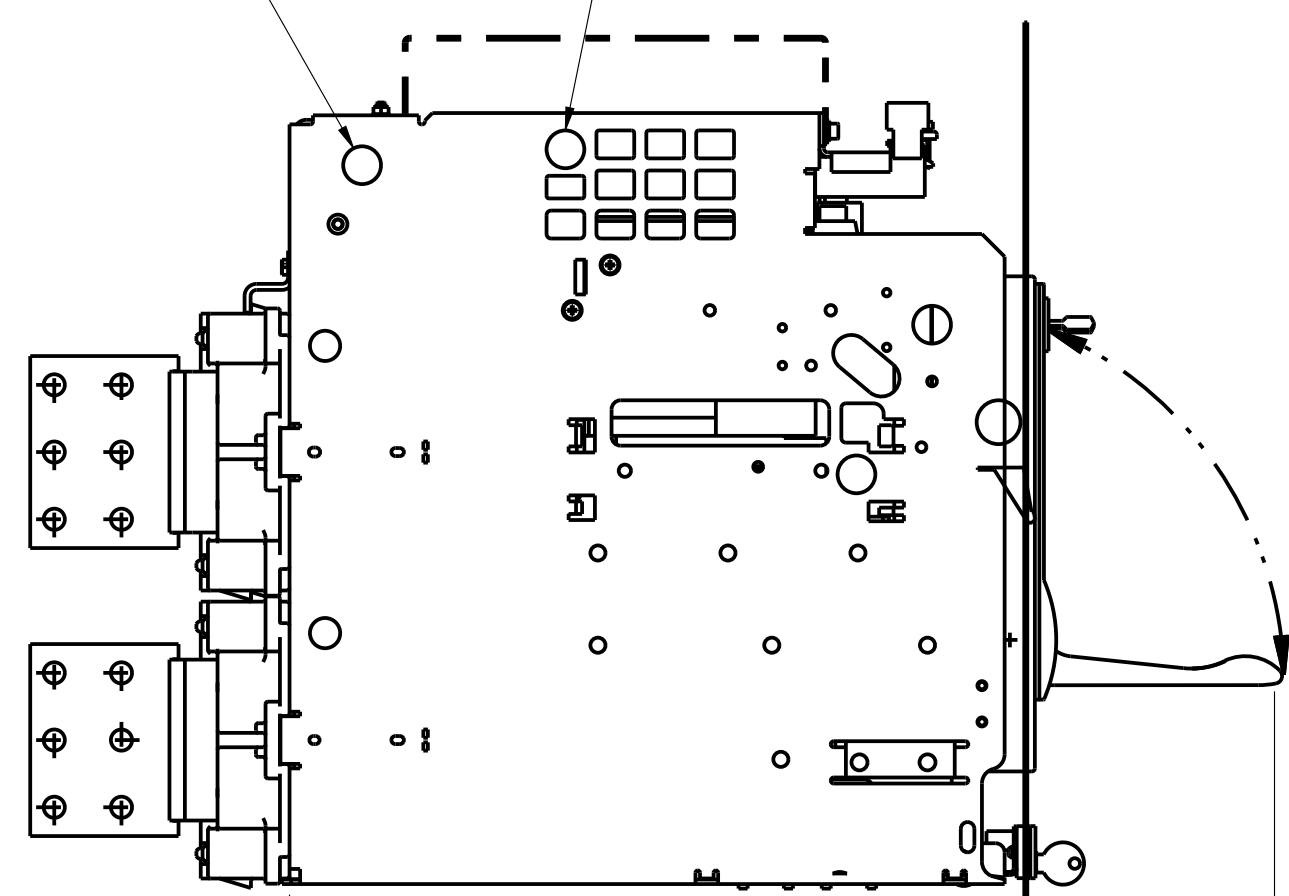


Minimal door cut-out
(Only center escutcheon visible)

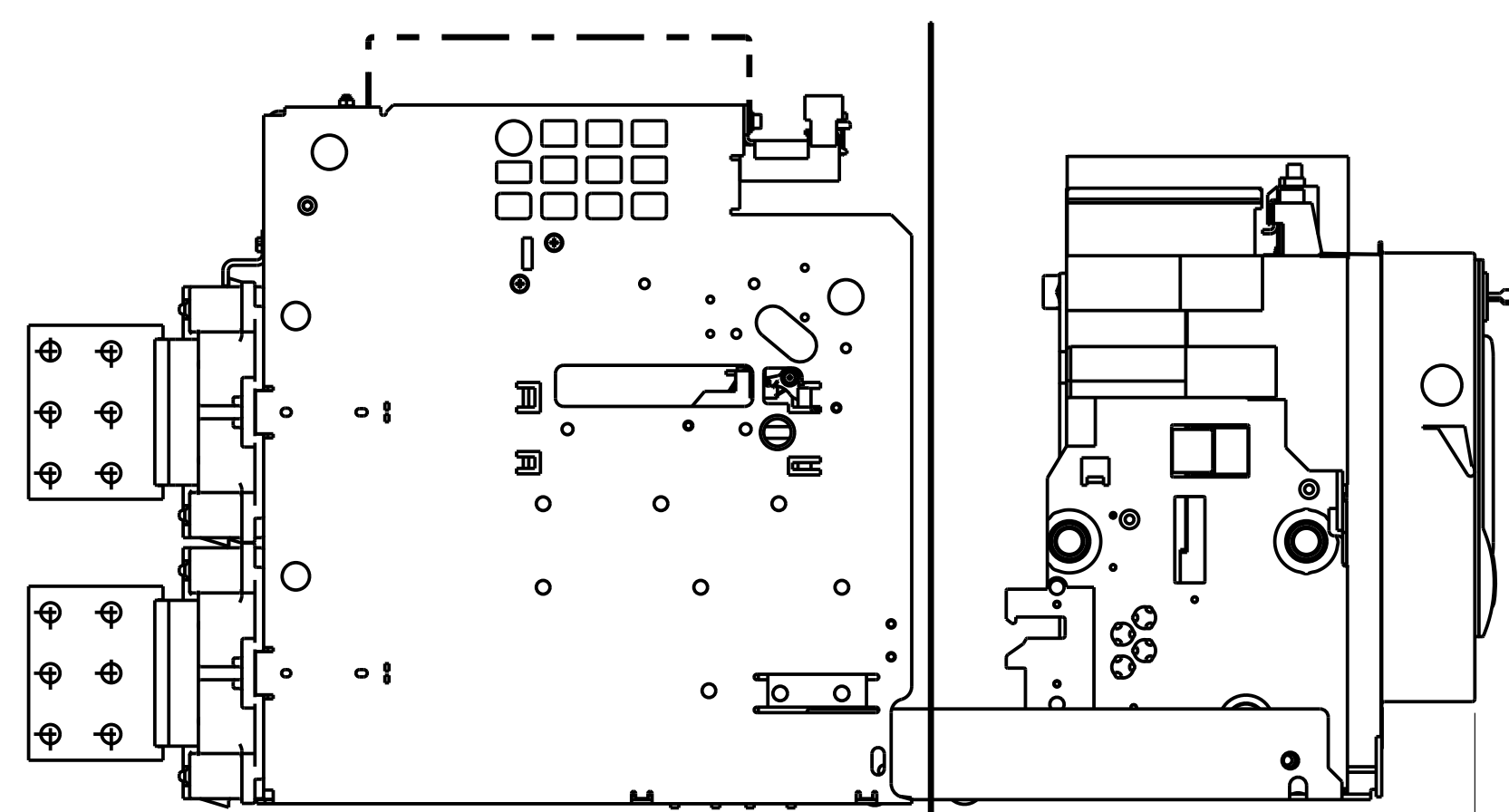


Lifting Point (Cradle only)
Do not lift by any other points.

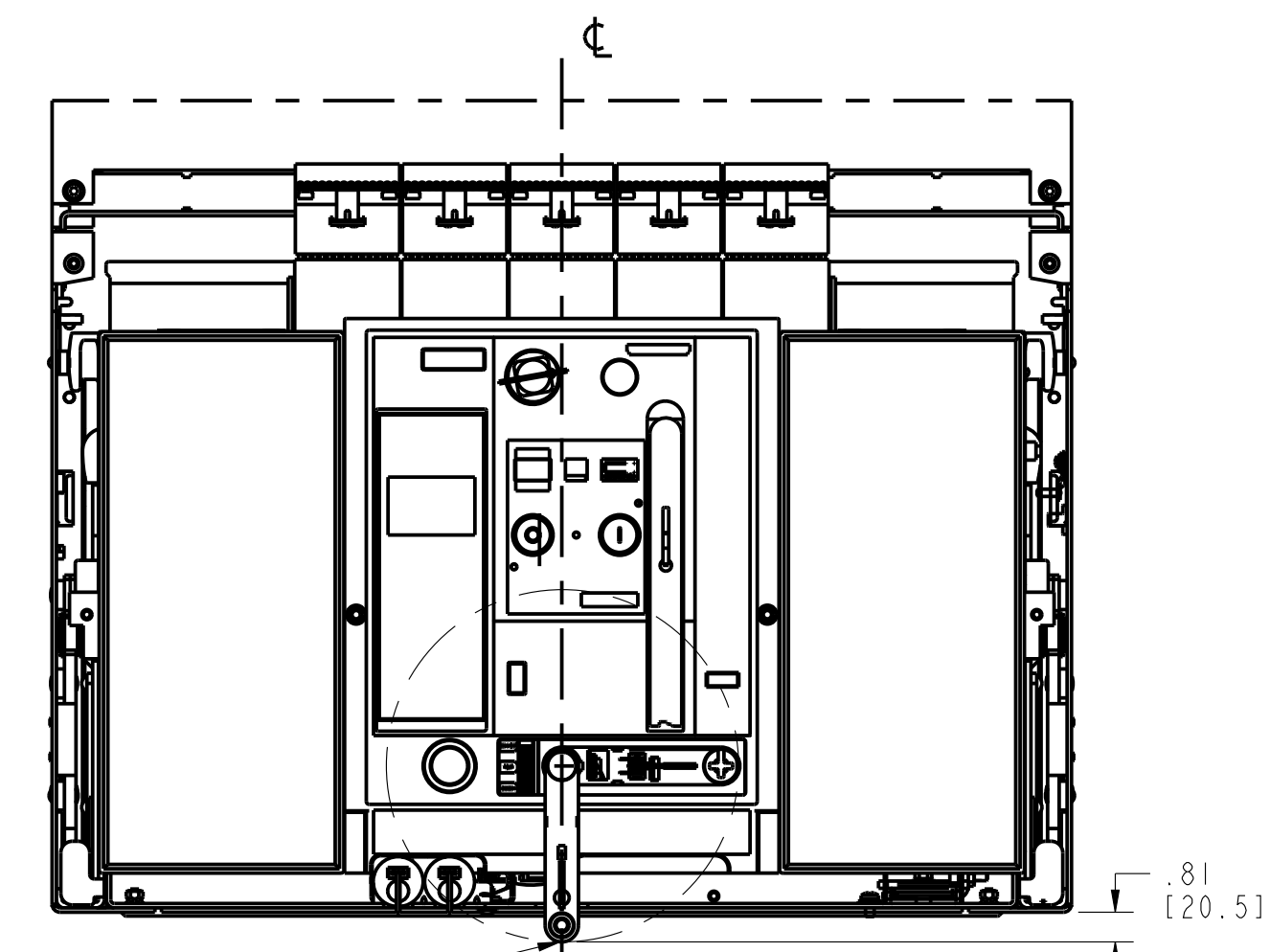
Lifting Point (Cradle and Breaker)
Do not lift by any other points.



Closed door racking



Withdrawn position



Minimum free space
for breaker racking

814877	Drawing applicable for the following frames WLL3D340, WLL3D350 WLC3D340, WLC3D350			
PART OR IDENTIFYING NO.	MATERIAL/SPECIFICATION			
CONFIDENTIAL - PROPERTY OF Siemens Industry, Inc.				
Siemens Industry, Inc.				
UL489 FS3 Drawout 3P Class L + C				
UNLESS OTHERWISE SPECIFIED DIMENSIONS ARE IN INCHES DO NOT SCALE DRAWING				
TOLERANCES: .X1 ± .01 ANGULAR ± 1.00				
DWN M. Rodriguez	DATE 2-23-15	SIZE	FSCM NO.	DWG NO.
CHK S. Puppala	DATE 02-25-15			814877
APVD K. Flowers	DATE 3-6-15	SCALE 1:5	PROJ FILE 814877	REV. OP
			SHEET 2	OF 2