

The logo for TALON, featuring the word "TALON" in a bold, orange, sans-serif font inside a white rectangular box with rounded corners and a thin orange border.

Meter Mounting Equipment

A white travel trailer with a curved front and a pop-up top is parked on a concrete pad. Two white propane tanks are mounted on a black rack at the front. The background shows a scenic view of rolling green hills and mountains under a blue sky with scattered white clouds.

Temporary Power Outlet Panels

Selection and Application Guide

www.talonmetering.com



Talon Meter Mounting Equipment

For more than half a century, Talon has been the market leader in innovation and value for the meter socket industry.

From our award-winning HQ series lever bypass products, to proprietary K base products, to our new innovative temporary power outlet panel design, Talon is the long-term solution partner for your metering needs.

Ask your local agent about the full line of utility approved devices available in your area, including Meter Sockets, Meter Combos, Temporary Power Devices, Spa Panels, Air Conditioning Disconnects and more.

Note: approvals and offerings may vary by location.

More details at our website: www.talonmetering.com

Talon’s line of power outlet panels are designed to meet the demands for temporary power at construction sites and recreational vehicle (RV) parks. For construction site applications power outlet panels are installed for temporary use only until electrical power is available at the site providing a safe and reliable source of power. Recreational Vehicle parks use power outlet panels on a permanent basis as a power source for the RV’s distribution system. RV park applications will frequently need power outlet panels with additional features such as light, water, phone and television options.

A wide variety of configurations are available to address almost any application. Surface and Pedestal mount units can be configured with light kits, photocells, main breaker disconnects, and custom colors. Utility grade metering can also be included and can be configured in top (surface mount units only) or bottom feed in ring or ringless styles with horn and lever bypass* options.

Contents

Metered devices	4
Un-Metered devices	5
Build your own catalog numbering system	6
Most common items	7
Dimension drawings	8 – 12

Construction & Ratings

Enclosure

All enclosures are NEMA type 3R rated, conform to UL standard 50, and are fabricated using G90 galvanized steel & coated with a baked-on polyester powder coating. All devices are theft resistant by use of padlock provisions and an elevated deadfront design to prevent unauthorized access to receptacles and breakers. All surface mount enclosures have five mounting points, including a “keyhole” provision in the center. All metered devices are equipped with stainless steel latches & hasps.

Interior

Tin-plated bus bars are mounted on a thermoplastic interior designed for extended life & rated for up to 125 amps. All wiring is factory installed using copper wire. Receptacles are impact-resistant, commercial grade, and conform to NEMA and/or ANSI configurations as specified by the NEC. All breakers are Siemens QP or QPF (GFCI) type with a maximum of 50 amps per breaker. Meter sockets are utility grade, rated up to 125 amps, and conform to UL standard 414. All units are suitable for use as service entrance equipment and include a factory installed neutral bar with provisions for bonding when required. Each device carries a short circuit rating of 10,000 amps. Devices with 2 factory installed receptacles where one of the receptacles is 120V feature a 4 space, 8 circuit interior. Devices with more than 2 factory

installed receptacles or where 2 or more of the receptacles are 240V rated feature an 8 space, 16 circuit interior.

Applicable US Standards

UL231 (power outlet panels), UL67, UL414 & UL50.

Options

Light kit uses a LED based light bulb. Bulb ratings are: 120V AC, 21 lm (Lumens), 0.8W, & true white emitting color (color temp 4800K to 5200K). All bulbs are long life (100,000+ hours), solid state, & vibration resistant. Photocells are internally mounted for extra security, operate at 120V AC, turn on when light levels reach 1-5 footcandles and turn off when light readings reach 3-15 footcandles.

*Lever bypass available in only top feed, surface mount configurations.

TL Series Temporary Power Outlet Panels

Metered Devices

Surface Mount Type



Features

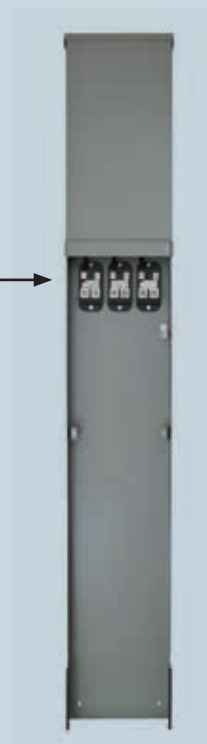
- 125 ampere rating (125A MLO, 100A MB)
- 350 kcmil line side lugs
- Ring or ringless style covers
- Horn or lever bypass options
- Top and bottom feed options
- Factory installed light kit
- Factory installed photocell
- Stainless steel latch and hasp
- Easy to open and close receptacle cover
- Pole-mounted water and CATV/phone kits
- High quality Siemens loadcenter interior and breakers

Pedestal Mount Types



Features

- 125 ampere rating (125A MLO, 100A MB)
- Ring or ringless style covers
- Single and back-to-back configurations
- 350 kcmil loopfeed lugs (back connected)
- Horn bypass option
- Direct burial and pad mount options
- Factory installed light kit
- Factory installed photocell
- Stainless steel latch and hasp
- Easy to open and close receptacle cover
- Pole-mounted water and CATV/phone kits
- High quality Siemens loadcenter interior and breakers



TL Series Temporary Power Outlet Panels

Un-Metered Devices



Features

- 125 ampere rating (125A MLO, 100A MB)
- Loop feed models available
- Factory installed light kit
- Factory installed photocell
- Easy to open and close receptacle cover
- Slim design for 2 receptacle devices (7" wide)
- High quality Siemens loadcenter interior and breakers




Features

- 125 ampere rating (125A MLO, 100A MB)
- 350 kcmil loopfeed lugs (back connected)
- Single or back-to-back configurations
- Direct burial or pad mount options
- Factory installed light kit
- Factory installed photocell
- Easy to open and close receptacle cover
- Externally attached water and CATV/phone kits
- High quality Siemens loadcenter interior and breakers



Pad Mount

Direct Burial

*Pedestal Mount
Flange Kit*



Temporary Power Outlet Panels

Build Your Own Catalog Numbering System

Follow the table below to configure a custom catalog number. Contact your local Talon agent or Siemens sales office for price and lead time. User assumes all responsibility for selecting proper configuration.

T ^①

Talon Temporary Power

Main Type

L	Main Lugs, 125A
D	Main Breaker, 100A

Receptacles (3 max)

1		14-50R	125/250V	50A
1F		Designates GFCI Circuit Breaker Protection		
2		14-30R	125/250V	30A
2F		Designates GFCI Circuit Breaker Protection		
3		TT30R	125V	30A
3F		Designates GFCI Circuit Breaker Protection		
4		L6-30R	250V	30A
4F		Designates GFCI Circuit Breaker Protection		
5		6-20R	250V	20A
5F		Designates GFCI Circuit Breaker Protection		
6		L5-20R	125V	20A
6F		Designates GFCI Circuit Breaker Protection		
7		5-20R2GFI	125V	20A
7X		Designates non-weather-resistant GFCI receptacle		
8		5-20R2	125V	20A
8F		Designates GFCI Circuit Breaker Protection		
8G		Designates weather resistant receptacle with GFCI Circuit Breaker Protection		
9		L-530R	125V	30A
9F		Designates GFCI Circuit Breaker Protection		

Meter/Bypass

U	Unmetered
R	Ringless, No Bypass
N	Ring, No Bypass
L*	Ringless, Lever Bypass
H	Ringless, Horn Bypass

*Lever bypass available only in surface mount, topfeed configurations

Enclosure Type

S	Surface mount, un-metered
S2^④	Surface mount, un-metered, loop feed lugs
T	surface mount, top feed-metered
B	surface mount, bottom feed-metered
P	Direct burial pedestal
M	Pad mount pedestal
2P	Direct burial pedestal, double-sided
2M	Pad mount pedestal, double sided

Custom Options^②

L^⑥	Light kit factory installed
LP^⑥	Light kit with photocell factory installed
X^⑦	Alternate receptacle configuration on double-sided pedestal
Cx	Custom color configuration

Custom Color Guidelines:

- "Cx" designates custom color. Contact sales office for color code to insert into part number to replace the "x" in this designation.
- Additional charges apply and depend on the color needed.
- Custom color matching available: Customer must signoff on painted sample prior to production of order.
- Order cancellations will involve a fee after custom paint is ordered.

- ① Required fields.
- ② A minimum of 1 receptacle must be selected. A maximum of 3 receptacles, with up to 125amps total, may be selected. UL does not allow field installation of receptacle kits.
- ③ Two receptacle devices ship in a 7" wide enclosure and are wired with a 4 circuit interior. Depending on the receptacle configuration selected an additional circuit may or may not be available
- ④ Enclosure includes same loop feed lugs as the pedestal devices. Enclosure is larger. Please see knockout diagrams for details.
- ⑤ Dash is only present if one of the options listed after the dash is needed.
- ⑥ Light kits are installed by the factory and require either a 120V GFCI breaker or 5-20RGFI receptacle to power the light fixture.
- ⑦ Cable TV, phone, & water accessories are purchased separately and are not configured as part of the device.
- ⑧ Photocell is factory wired and is mounted internally. 120V AC photocell only.
- ⑨ "X" designates alternate receptacle configuration on each side. Contact sales office for pricing.

Example: Catalog Number: TL1F37NT-LP

Given specifications:

- 125A Main Lugs
- 50A, 125/250V receptacle with GFCI circuit breaker
- 30A, 125V receptacle with a standard circuit breaker
- 20A, 125V GFCI weather resistant receptacle
- Ring type meter at the top
- Pedestal mount device
- Light option with photocell

- Step 1**
Start with the power receptacle product line prefix identifier and choose the main type: **(TL)**
- Step 2**
Choose the first receptacle and its circuit breaker type: **(1F)**
- Step 3**
Choose the second receptacle and its circuit breaker type: **(3)**
- Step 4**
Choose the third receptacle and its circuit breaker type: **(7)**
- Step 5**
Choose utility meter & bypass type required: **(N)**
- Step 6**
Choose enclosure type: **(T)**
- Step 7**
Add dash and select light option with photocell: **(-LP)**

INSTALLER RESPONSIBLE FOR ENSURING UTILITY AND LOCAL CODE ACCEPTANCE

Temporary Power Outlet Panels

Most common items –See previous page to build your own catalog number

Old Catalog Number ①	New Catalog Number	Mains Type	Enclosure Type	Meter Provision	Receptacle #1 ③	Receptacle #2 ③	Receptacle #3 ③	Options
Surface Mount, Un-Metered								
P17US	TL17US ②	125A Main Lug	Surface Mount	Un-Metered	14-50R	5-20R2 GFI W.R.	N/A	N/A
P37US	TL37US ②	125A Main Lug	Surface Mount	Un-Metered	TT30R	5-20R2 GFI W.R.	N/A	N/A
P77US	TL77US ②	125A Main Lug	Surface Mount	Un-Metered	5-20RGFI W.R.	5-20R2 GFI W.R.	N/A	N/A
P137US	TL137US ②	125A Main Lug	Surface Mount	Un-Metered	14-50R	TT30R	5-20R2 GFI W.R.	N/A
P577US	TL577US ②	125A Main Lug	Surface Mount	Un-Metered	6-20R	5-20R2 GFI W.R.	5-20R2 GFI W.R.	N/A
P1F7US	TL1F7US	125A Main Lug	Surface Mount	Un-Metered	14-50R, GFCI Brkr	5-20R2 GFI W.R.	N/A	N/A
P1F3F7US	TL1F3F7US	125A Main Lug	Surface Mount	Un-Metered	14-50R, GFCI Brkr	TT30R, GFCI Brkr	5-20R2 GFI W.R.	N/A
P5F8F8FUS	TL5F8G8GUS	125A Main Lug	Surface Mount	Un-Metered	6-20R, GFCI Brkr	5-20R2, GFCI Brkr, W.R.	5-20R2, GFCI Brkr, W.R.	N/A
NA	TL1F3F7US2	125A Main Lug	Surface Mount	Un-Metered	14-50R, GFCI Brkr	TT30R, GFCI Brkr	5-20R2 GFI W.R.	Loop Feed Lugs

Surface Mount, Metered

P77TS	TL77NT ②	125A Main Lug	Top Feed	Metered- Ring	5-20R2 GFI W.R.	5-20R2 GFI W.R.	N/A	N/A
P77BS	TL77NB ②	125A Main Lug	Bottom Feed	Metered- Ring	5-20R2 GFI W.R.	5-20R2 GFI W.R.	N/A	N/A
P77RTS	TL77RT ②	125A Main Lug	Top Feed	Metered- Ringless	5-20R2 GFI W.R.	5-20R2 GFI W.R.	N/A	N/A
P77RBS	TL77RB ②	125A Main Lug	Bottom Feed	Metered- Ringless	5-20R2 GFI W.R.	5-20R2 GFI W.R.	N/A	N/A
P137RTS	TL137RT ②	125A Main Lug	Top Feed	Metered- Ringless	14-50R	TT30R	5-20R2 GFI W.R.	N/A
P577TS	TL577NT	125A Main Lug	Top Feed	Metered- Ring	6-20R	5-20R2 GFI W.R.	5-20R2 GFI W.R.	N/A
P1F77TS	TL1F77NT	125A Main Lug	Top Feed	Metered- Ring	14-50R, GFCI Brkr	5-20R2 GFI W.R.	5-20R2 GFI W.R.	N/A
P1F77RBS	TL1F77RB	125A Main Lug	Bottom Feed	Metered- Ringless	14-50R, GFCI Brkr	5-20R2 GFI W.R.	5-20R2 GFI W.R.	N/A
P5F77TS	TL5F77NT	125A Main Lug	Top Feed	Metered- Ring	6-20R, GFCI Brkr	5-20R2 GFI W.R.	5-20R2 GFI W.R.	N/A
P5F77RTS	TL5F77RT	125A Main Lug	Top Feed	Metered- Ringless	6-20R, GFCI Brkr	5-20R2 GFI W.R.	5-20R2 GFI W.R.	N/A
P5F77RBS	TL5F77RB	125A Main Lug	Bottom Feed	Metered- Ringless	6-20R, GFCI Brkr	5-20R2 GFI W.R.	5-20R2 GFI W.R.	N/A
NA	TD137HT	100A Main Breaker	Top Feed	Metered- Ringless with Horn Bypass	14-50R	TT30R	5-20R2 GFI W.R.	N/A

Pedestal Mount, Metered & Un-Metered

P137UP	TL137UP	125A Main Lug	Burial Pedestal	Un-Metered	14-50R	TT30R	5-20R2 GFI W.R.	N/A
P137TP	TL137NP	125A Main Lug	Burial Pedestal	Metered-Ring	14-50R	TT30R	5-20R2 GFI W.R.	N/A
P1F3F7UP	TL1F3F7UP	125A Main Lug	Burial Pedestal	Un-Metered	14-50R, GFCI Brkr	TT30R, GFCI Brkr	5-20R2 GFI W.R.	N/A
P138FUP	TL138GUP	125A Main Lug	Burial Pedestal	Un-Metered	14-50R	TT30R	5-20R2, GFCI Brkr, W.R.	N/A
NA	TL137UP-LP	125A Main Lug	Burial Pedestal	Un-Metered	14-50R	TT30R	5-20R2 GFI W.R.	Light & Photocell
P137U2B	TL137U2P	125A Main Lug	Burial Pedestal-Double Sided	Un-Metered	14-50R	TT30R	5-20R2 GFI W.R.	N/A

Special Accessories

Catalog Number	Description	Notes
TLAWATER ④	Water Connection Accessory	Accessories are intended to mount on each side of a direct burial or pad mount pedestal. These accessories can be used independently provided they are mounted on a flat surface. Mounting these accessories to round poles is not recommended.
TLATVP	Television & Phone Connection Accessory	
TLALFB	Loopfeed Replacement Block	Includes (1) assembly. Replacement only.
TLA0816LG	Replacement interior for 10" wide devices	Replacement Only
TLAMS200	TL Series Meter Socket	Replacement Only
TLABULB	TL Series Light Bulb	Replacement Only
TLAPC120V	TL Series Photocell	Replacement Only

- ① "P" prefix may also be PM or LGP. Cross reference is the same.
- ② Stocked item. Status subject to change without notice.
- ③ NEMA receptacle configurations listed.
- ④ Accessory consists of trough only. User must install pipe and water connection point.

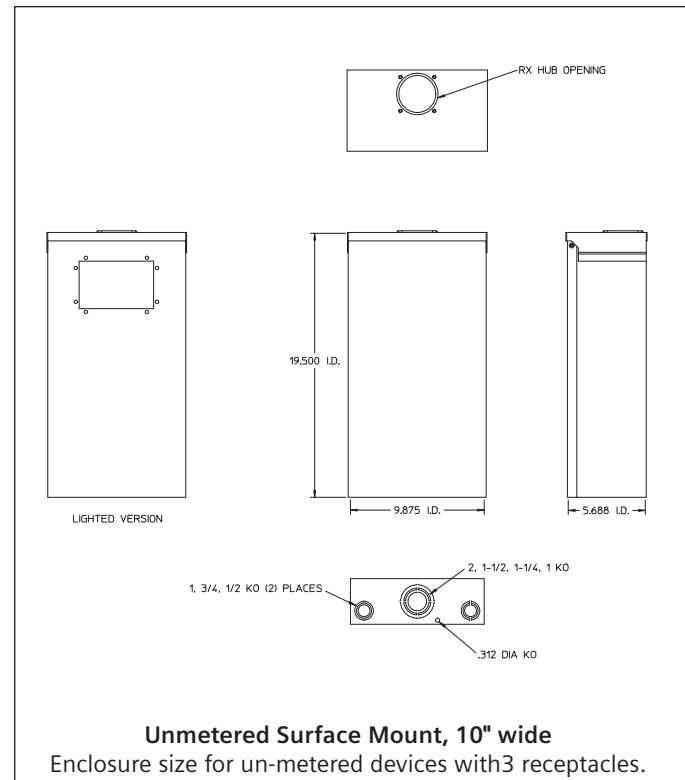
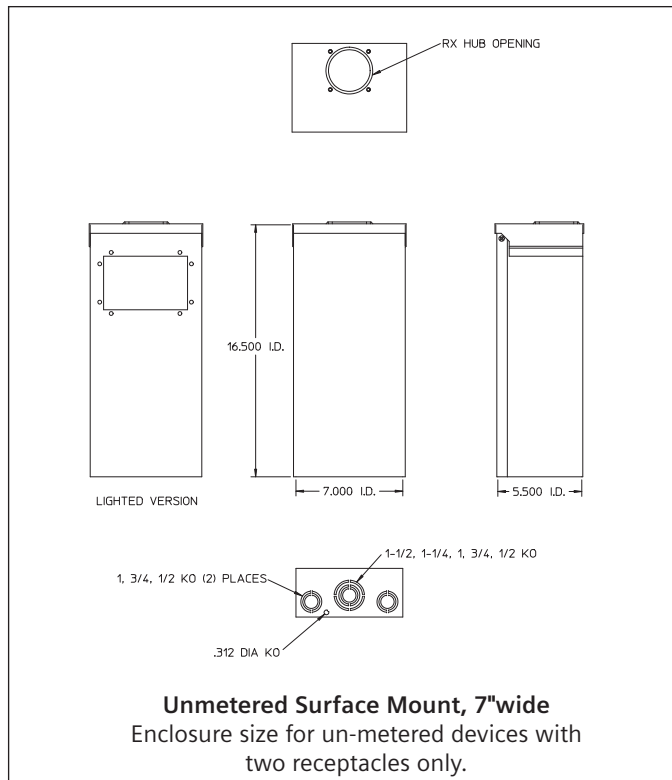


Temporary Power Outlet Panels

Generic Accessories & Dimension Drawings

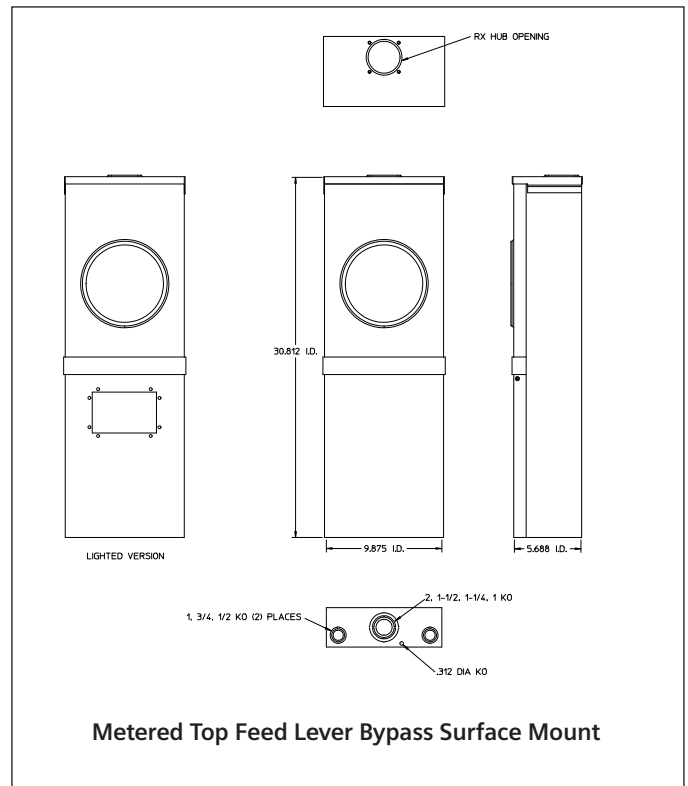
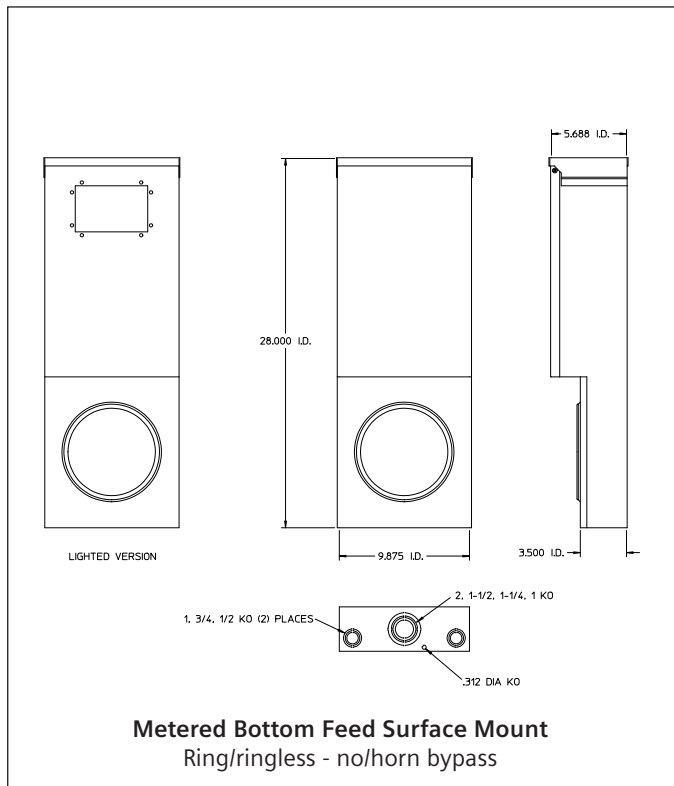
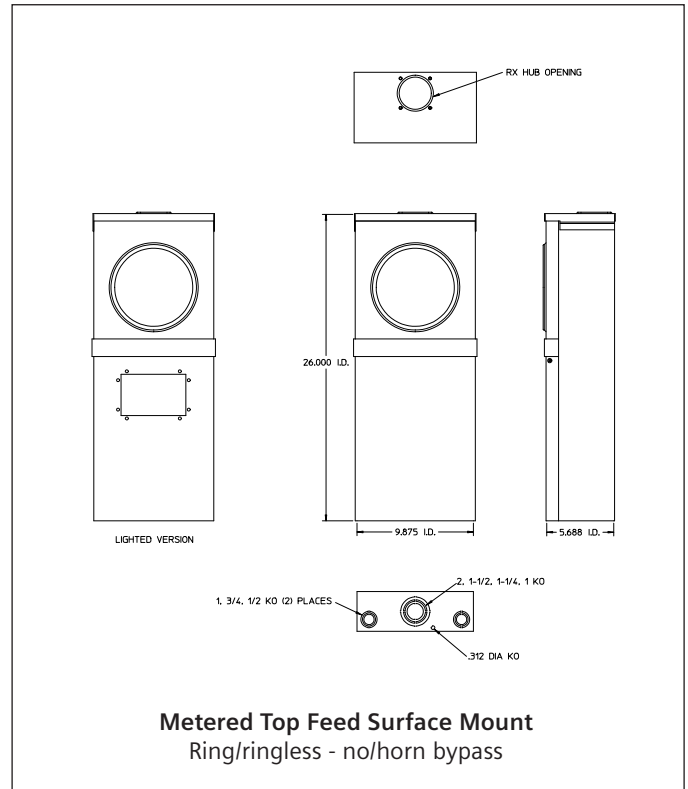
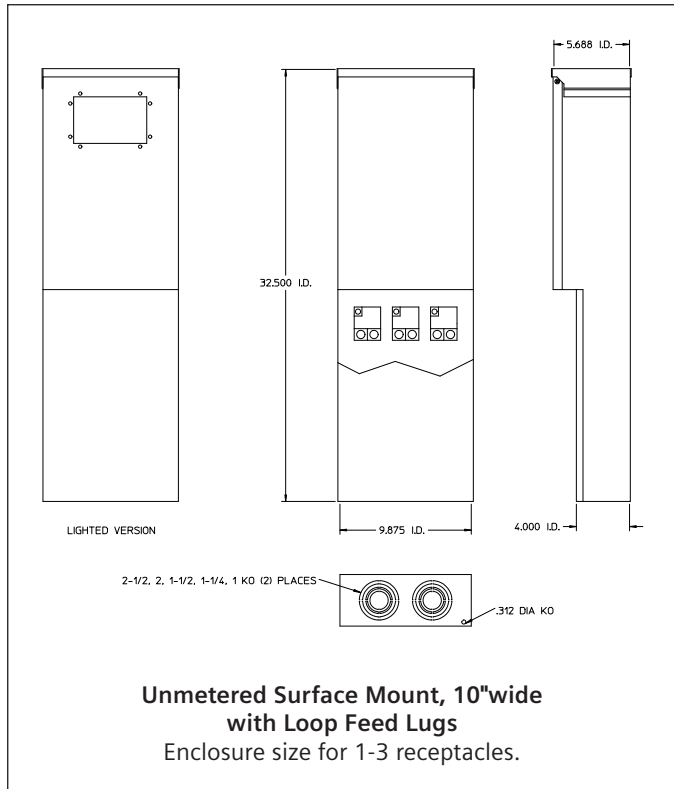
Generic Accessories

Accessory	Talon Catalog Number	Siemens Catalog Number
1.25" Hub	H38597-2	EC38597
1.50" Hub	H38598-2	EC38598
2.00" Hub	H38599-2	EC38599
2.50" Hub	H38600-2	EC38600
Hub Opening Closure Plate	H38595-1	EC38595
5th Jaw Kit	H659-0121	EC659-0121
5th Jaw Kit- Lever Bypass	H38515-2	-----
Sealing Ring- Screw Type	H9738-8002	SRSW
Sealing Ring- Snap Type	H56402	SRSTD
Meter Opening Cover Plate	H659-0162	ECPP
Meter Bypass (Temporary Use Only)	H36479	ECJS



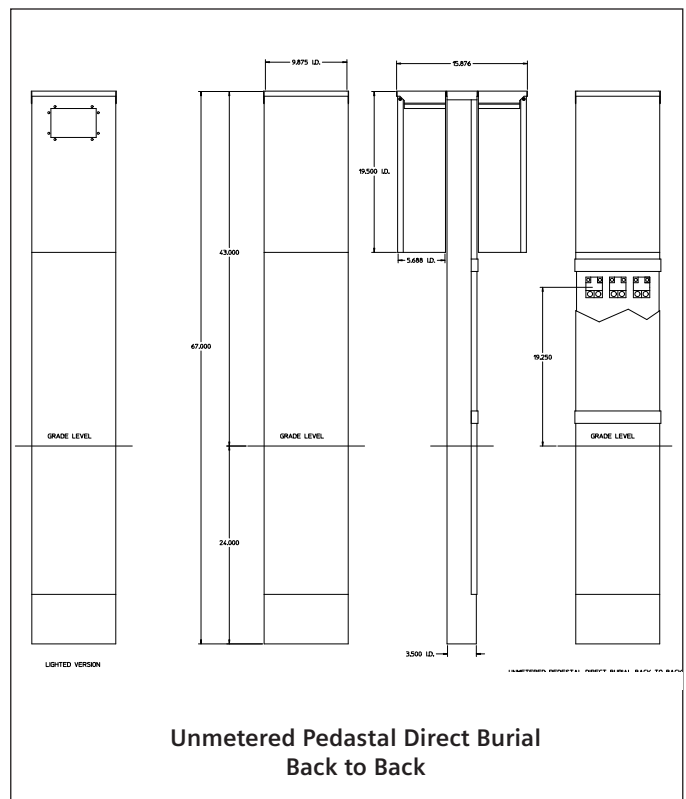
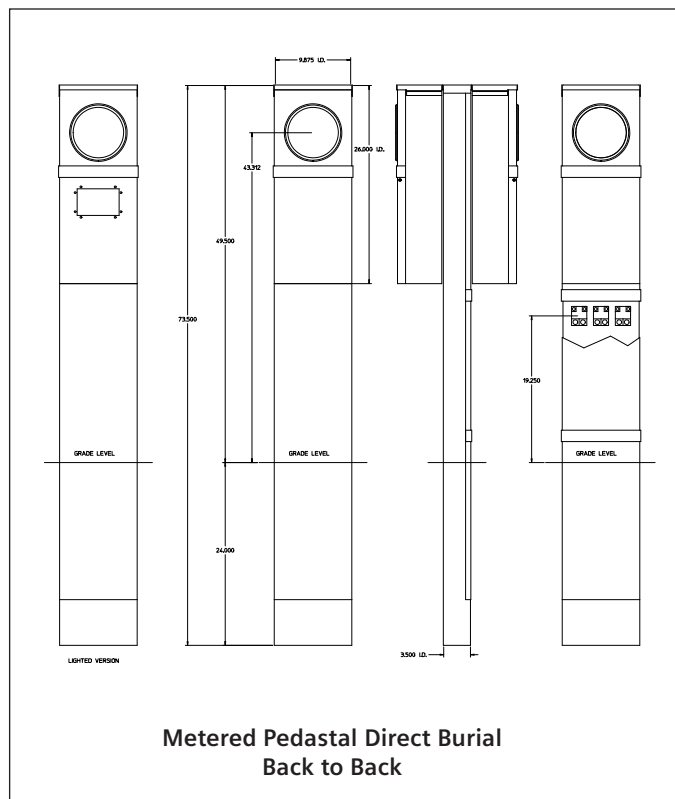
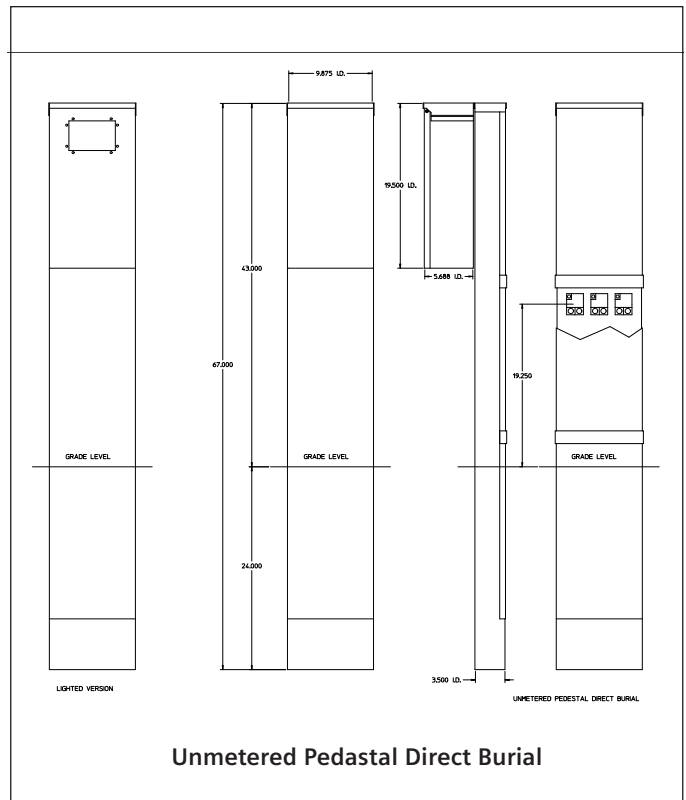
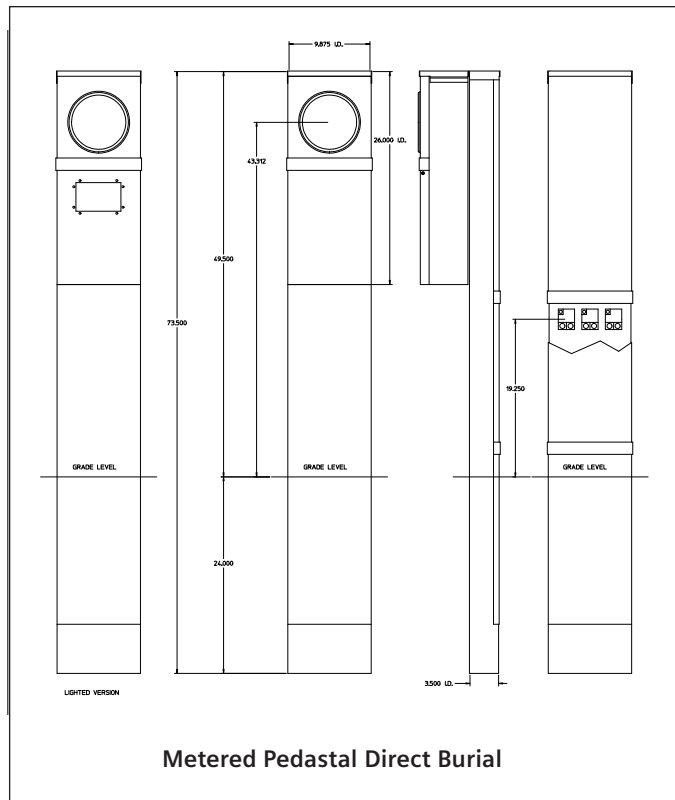
Temporary Power Outlet Panels

Dimension Drawings



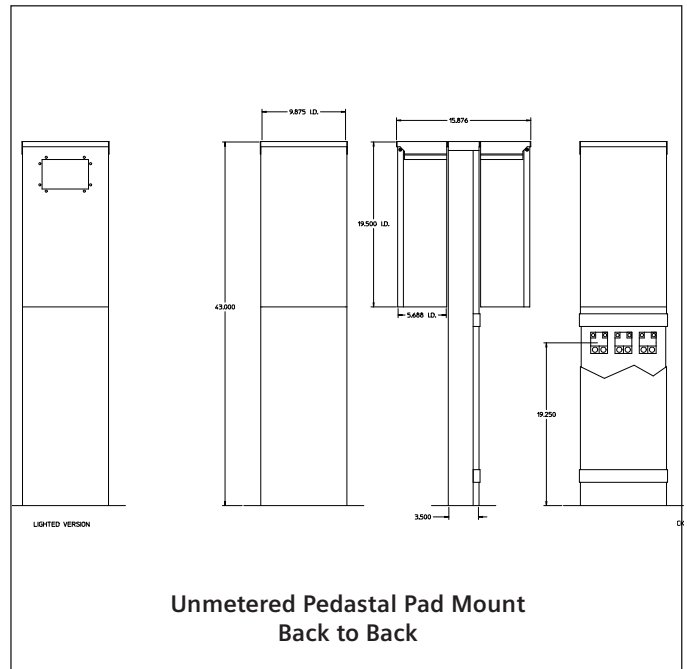
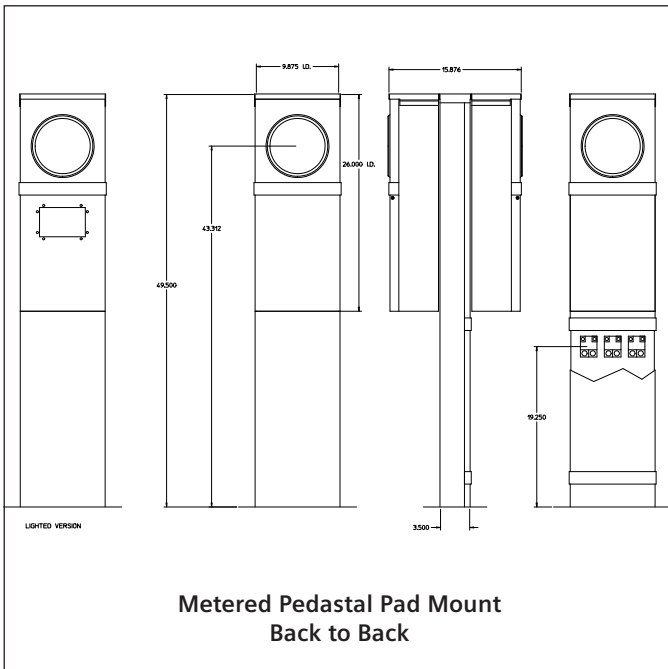
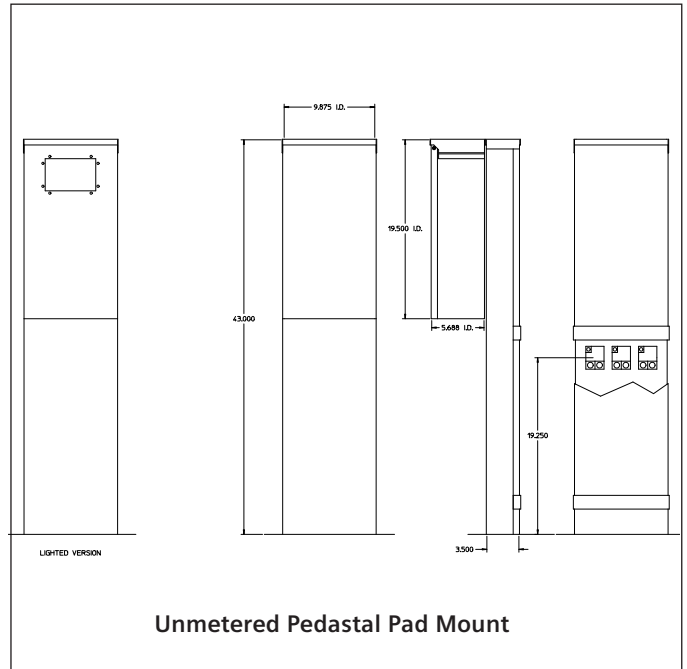
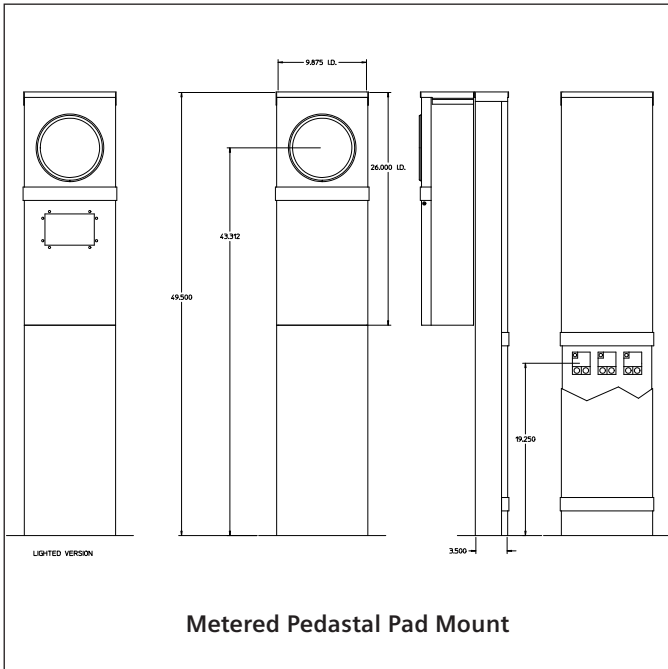
Temporary Power Outlet Panels

Dimension Drawings



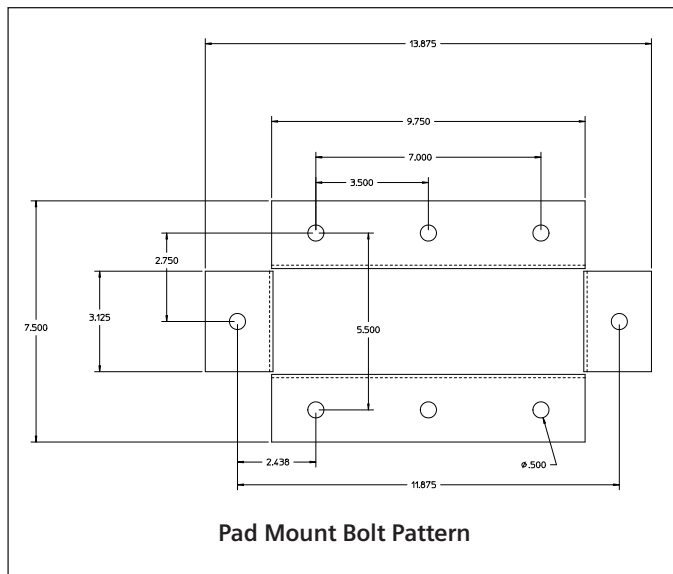
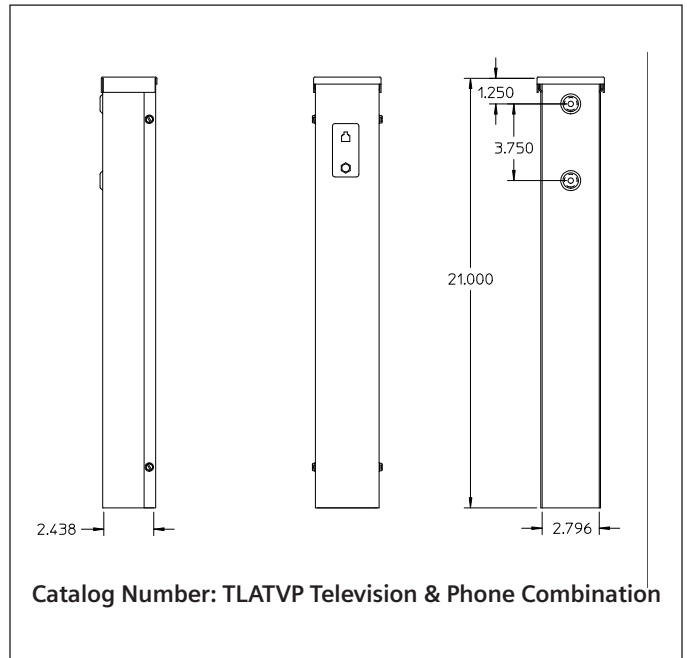
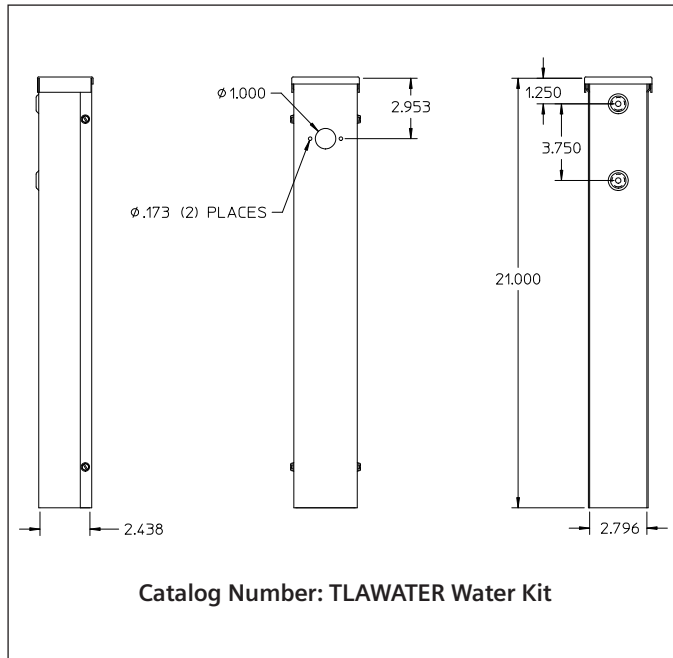
Temporary Power Outlet Panels

Dimension Drawings



Temporary Power Outlet Panels

Dimension Drawings



**Published by
Siemens 2018**

Talon Meter Mounting Devices
Siemens Industry, Inc.
5400 Triangle Parkway
Norcross, GA 30092

1-800-241-4453
info.us@siemens.com

Order No. RPSA-S0003-0118-CP
Printed in USA
All Rights Reserved
© 2018, Siemens Industry, Inc.
www.talonmetering.com

The technical data presented in this document is based on an actual case or on as-designed parameters, and therefore should not be relied upon for any specific application and does not constitute a performance guarantee for any projects. Actual results are dependent on variable conditions. Accordingly, Siemens does not make representations, warranties, or assurances as to the accuracy, currency or completeness of the content contained herein. If requested, we will provide specific technical data or specifications with respect to any customer's particular applications. Our company is constantly involved in engineering and development. For that reason, we reserve the right to modify, at any time, the technology and product specifications contained herein.