

REVISION	DATE	BY	DATE	BY
		DRAWN	16/02/25	DC
		CHEK'D		
		VERIF'D		

Confidential - Property of Siemens Industry, Inc.	
CUSTOMER	
ORDER NO.	DWG. NO.
	1D1Y050K13FCTP1
	SH 1 OF 2

SIEMENS

CATALOG NO. 1D1Y050K13FCTP1
 SERIAL NO. SERIES H
 50 kVA 60 Hz 1 PHASE
 3 % IMP AT 135 °C

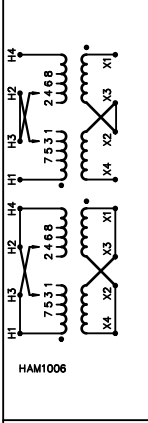
115 °C RISE 30 °C AVG. AMBIENT
 220 °C TEMP CLASS 40 °C MAX. AMBIENT

PRIMARY (H1 H3 H2 H4) 240X480 V - kV BIL
 SECONDARY(X4 X2 X3 X1) 120/240 V - kV BIL

WINDING MATERIAL CU

ENCLOSURE TYPE 3R WEIGHT 660 LBS

ENERGY EFFICIENCY NEMA TP1



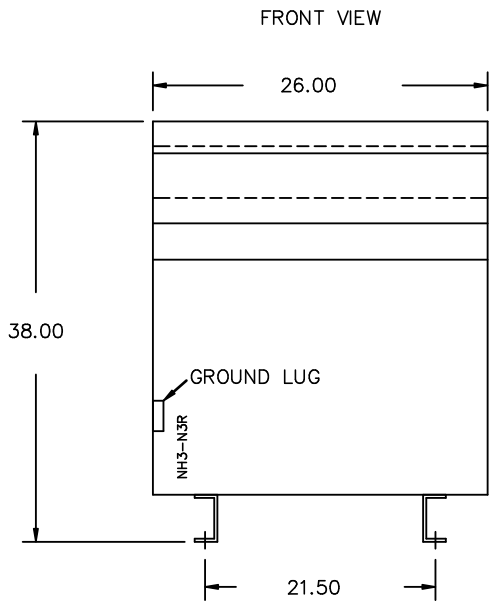
VOLTS	INPUT LINE ON H1 & H4 CONNECT	OUTPUT LINE
504	H2-1, H3-2	X2-X3
482	H2-2, H3-3	X1-X4
480	H2-3, H3-4	X1-X4
488	H2-4, H3-5	X1-X4
486	H2-5, H3-6	X1-X4
496	H2-6, H3-7	X1-X4
444	H2-7, H3-8	X1-X4
432	H2-1, H3-2	X1-X4
252	H2-3, H3-4	X1-X4
240	H2-5, H3-5	X1-X4
228	H2-6, H3-6	X1-X4
216	H2-7, H3-8	X1-X4

SPACINGS BETWEEN ANY VENTILATED ENCLOSURE PANEL AND ANY ADJACENT WALL SHALL BE A MINIMUM OF 3 INCHES ELECTROSTATIC SHIELD

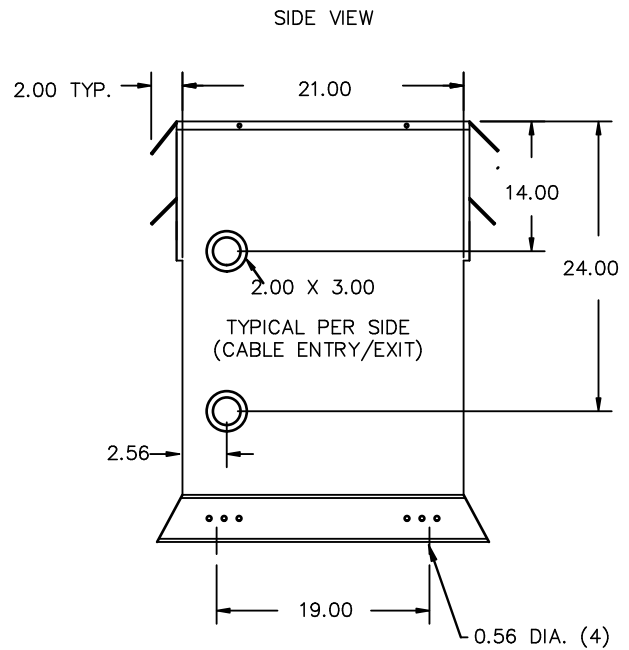
SUITABLE FOR NONSINUSOIDAL CURRENT LOAD WITH K-FACTOR NOT TO EXCEED K-13
 SUITABLE FOR INDOOR OR OUTDOOR LOCATIONS
 BEFORE HANDLING, INSTALLING AND OPERATING; SEE INSTRUCTION MANUAL

NEMA Class ANN Dry Type Transformer Siemens Industry, Inc. Norcross, GA 6810087e2





All Dimensions in inches



ENCLOSURE COLOR :ANSI 61 GREY- OUTDOOR

H.V.1. TERMINAL DETAIL

L.V.1. TERMINAL DETAIL

MECHANICAL TYPE LUGS INCLUDED
SUITABLE FOR 250MCM-6 CU/AL
CONDUCTORS
1 CONDUCTOR PER PHASE

MECHANICAL TYPE LUGS INCLUDED
SUITABLE FOR 600MCM-2 CU/AL
CONDUCTORS
1 CONDUCTOR PER PHASE

CUSTOMER NOTES:

- HV1 TERMINATED AT TOP FRONT
- LV1 TERMINATED AT BOTTOM FRONT

Confidential - Property of
Siemens Industry, Inc.

REVISION	DATE	BY	DATE	BY
		DRAWN	16/02/25	DC
		CHEK'D		
		VERIF'D		

CUSTOMER	
ORDER NO.	DWG. NO. 1D1Y050K13FCTP1
SH 2 OF 2	

0.4 dcortez 2016/02/26 15:54