

SIEMENS

CATALOG NO. 3F5Y150D16

SERIAL NO.

SERIES H
3 PHASE

150 kVA 60 Hz

4.7 % IMP AT 170 °C

150 °C RISE 30 °C AVG. AMBIENT

220 °C TEMP CLASS 40 °C MAX. AMBIENT

PRIMARY (H1 H2 H3) 480V V 10 kV BIL

SECONDARY(X0 X1 X2 X3) 480Y/277V V 10 kV BIL

WINDING MATERIAL AL

ENCLOSURE TYPE 3R WEIGHT 880 LBS

ENERGY EFFICIENCY EXCEEDS CSA DOE 10 CFR PART 431:2016
C802.2-2012

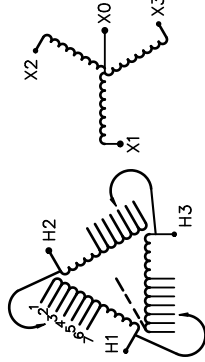
SPACINGS BETWEEN ANY VENTILATED ENCLOSURE PANEL AND
ANY ADJACENT WALL SHALL BE A MINIMUM OF 5 INCHES
EXCEPT WHEN WALL MOUNTED USING APPROVED WALL MOUNTING KIT

SUITABLE FOR INDOOR OR OUTDOOR LOCATIONS
BEFORE HANDLING, INSTALLING AND OPERATING, SEE INSTRUCTION MANUAL

NEMA Class ANN Dry Type Transformer

Siemens Industry, Inc. Norcross, GA

6800066



VOLTS	CONNECT
504	1
492	2
480	3
468	4
456	5
444	6
432	7



TYPE K



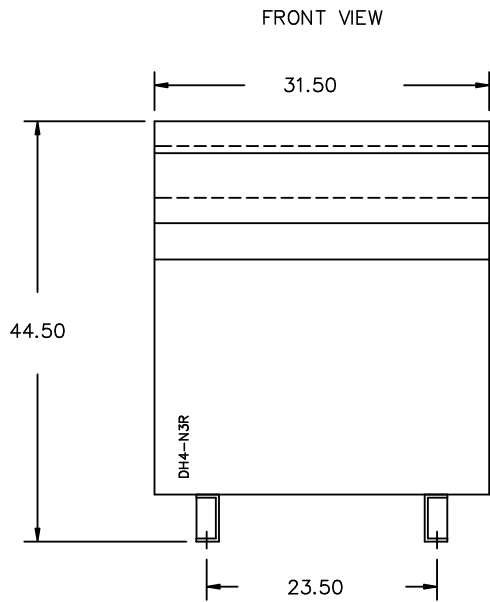
SEISMIC QUALIFICATIONS, FLOOR MOUNT ONLY
OSP-0136-10 IBC 2012/ASCE 7-10
SDS<=2.0g Z/h=1 Ip=1.5



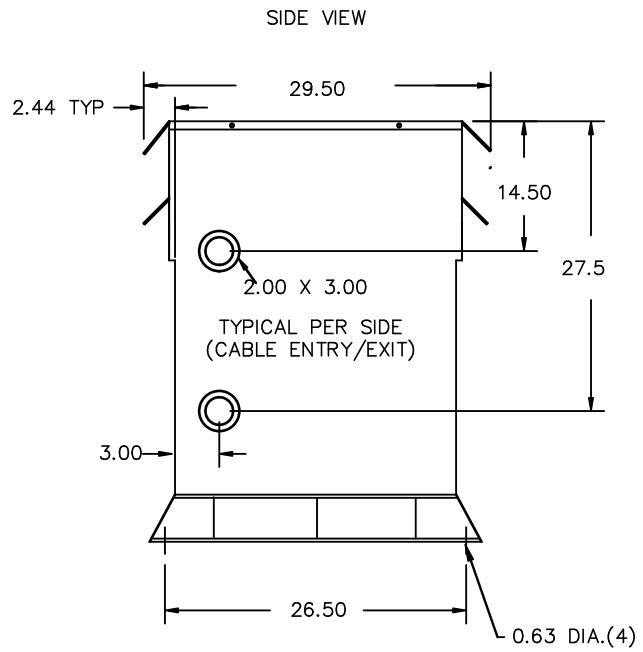
Confidential - Property of
Siemens Industry, Inc.

REVISION	DATE	BY	DATE	BY
		DRAWN	15/11/09	JW
		CHEK'D		
		VERIF'D		

CUSTOMER	
ORDER NO.	DWG. NO.
	3F5Y150D16
	SH 1 OF 2



All Dimensions in inches



ENCLOSURE COLOR :ANSI 61 GREY – OUTDOOR

H.V.1. TERMINAL DETAIL

L.V.1. TERMINAL DETAIL

MECHANICAL TYPE LUGS INCLUDED
SUITABLE FOR 350MCM-6 CU/AL
CONDUCTORS
1 CONDUCTOR PER PHASE

MECHANICAL TYPE LUGS INCLUDED
SUITABLE FOR 350MCM-6 CU/AL
CONDUCTORS
1 CONDUCTOR PER PHASE

CUSTOMER NOTES:

- HV1 TERMINATED AT TOP FRONT
- LV1 TERMINATED AT BOTTOM FRONT

Confidential – Property of
Siemens Industry, Inc.

REVISION	DATE	BY	DATE	BY
			DRAWN 15/11/09	JW
			CHEK'D	
			VERIF'D	

CUSTOMER

ORDER NO.

DWG. NO.

3F5Y150D16

SH 2 OF 2