

**IF IN DOUBT ASK
DO NOT SCALE**

EU EXPORT CONTROLS

ECCN: N

AL: N

This document is not Export Controlled unless sending to Critical Countries.

Relay Earthing

Terminal B28 of the PSU should be earthed by a direct connection to the device case earth stud (GND).

The device case earth stud should be solidly earthed by a direct connection to the panel earth.

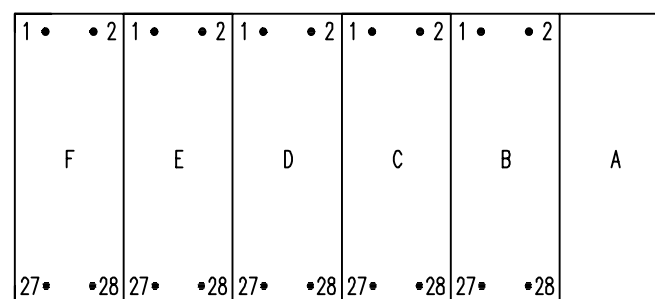
Terminal contacts internal to case assembly close when device is withdrawn from case.

Warning – Eye Safety

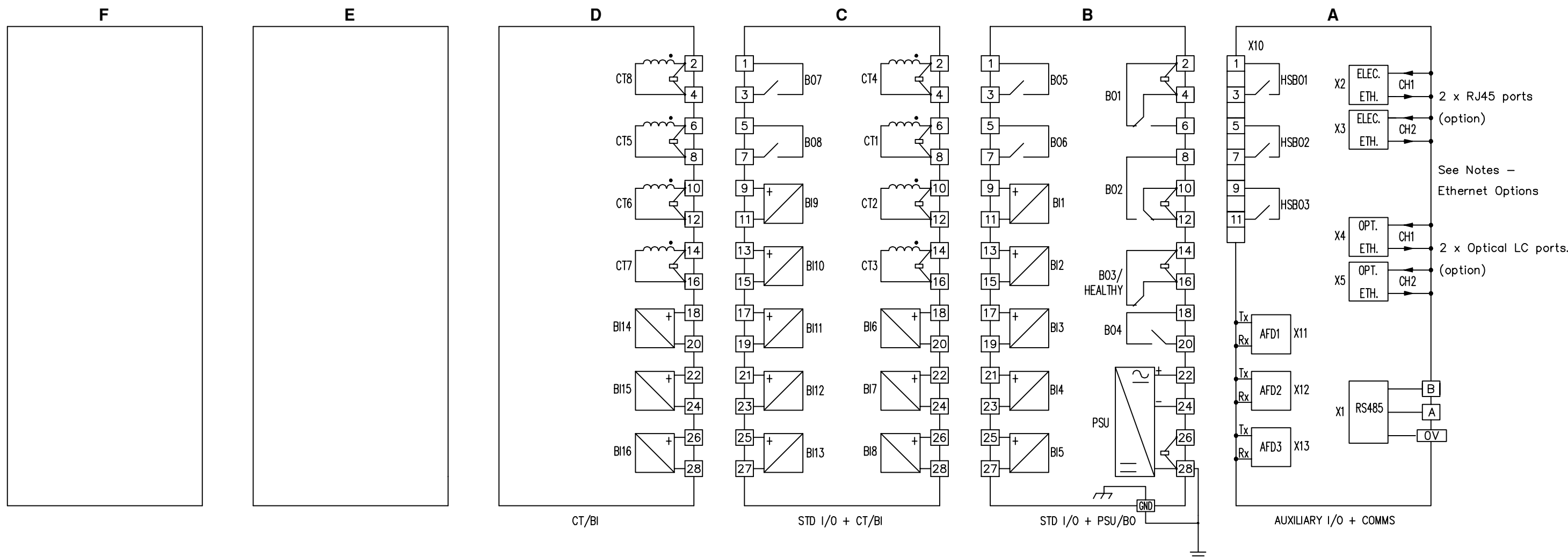
Connectors X11–X13 are Laser class 1 (LED radiation only) products.

Notes – Ethernet Options

Device will be fitted with either 2 x electrical (RJ45) or 2 x optical (LC) ethernet ports.



VIEWED FROM REAR



| ABBREVIATIONS | |
|---------------|-------------------------------|
| AFD | ARC FLASH DETECTOR |
| BI | BINARY INPUT |
| BO | BINARY OUTPUT |
| COMMS | COMMUNICATIONS |
| CT | CURRENT TRANSFORMER |
| ELEC | ELECTRICAL |
| ETH | ETHERNET |
| GND | GROUND (CASE EARTH STUD) |
| HSBO | HIGH SPEED BINARY OUTPUT |
| OPT | OPTICAL |
| PSU | POWER SUPPLY UNIT (AUXILIARY) |
| STD I/O | STANDARD INPUT/OUTPUT |

**NOT SUBJECT TO UPDATE
ONCE COPIED / PRINTED
OR DOWNLOADED**

| | | |
|-------|----------|--------------|
| 2 NC | 21/04/21 | 3Z2000249 JS |
| 1 | 27/05/20 | CHANGE NOTED |
| ISSUE | DATE | |

| | | |
|----------------------|--|---|
| Finish: — | Title: REAR TERMINAL CONNECTIONS—7SR5[1,4]20—2ADx6—0AA0 8CT, 16BI, 8BO, 3AFD, 3HSBO | First used on: — |
| Treatment: — | SIEMENS PLC | Similar Articles: — |
| | | Original Scale: NTS |
| Drawn: J SPOWART | Checked: K.H | Dwg No. 2518W50110 |
| Approved: N CAMPBELL | Date: 09/06/20 | Copyright © 2020 A3 SIEMENS PLC. Hebburn |