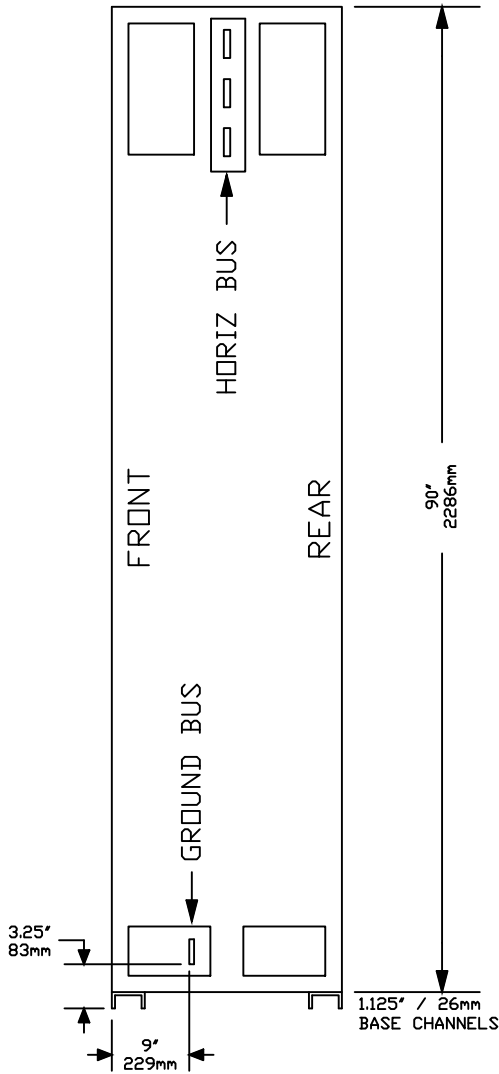
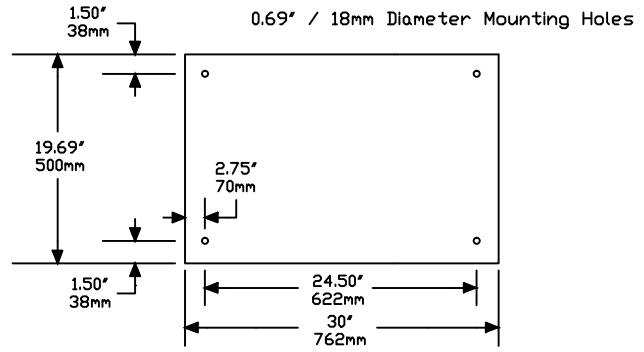


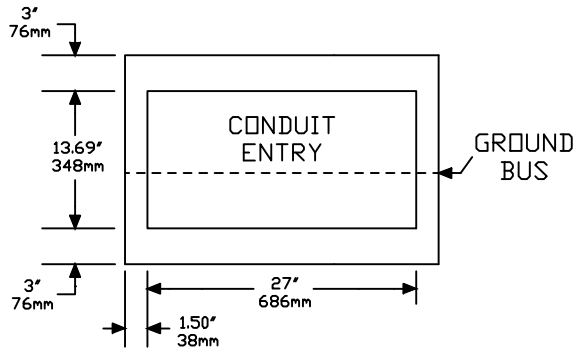
Not to scale



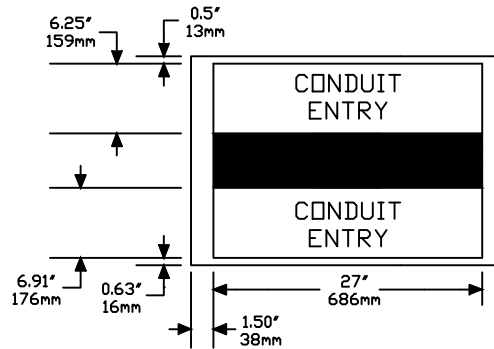
SIDE VIEW



ANCHOR DETAIL



MAXIMUM BOTTOM CONDUIT ENTRY



MAXIMUM TOP CONDUIT ENTRY

Removable lifting device mounted to top of MCC increase the shipping height to 98" / 2490mm.

A) RELEASED FOR PRODUCTION ECN 61769 RWB 10/16/14				NEXT ASS'Y ***	
				TOOL NO.	TYPE OF TOOL
				***	***
				***	***
				***	***
This print is the confidential property of Siemens Industry, Inc. It is not to be used or reproduced in any manner, nor submitted to any other parties for examination without prior approval of Siemens Industry, Inc.	DRAWN BY: RWB	SCALE: N/A	TITLE: 30" WIDE MCC SECTION ANCHOR DETAIL AND CONDUIT ENTRY		
	CHKD BY: RWB	DATE: 10/16/14	DWG. NO. D46752002		
	APPRD BY: RWB	TOLERANCE UNLESS OTHERWISE SHOWN XX OR XXX ± .015 ANGULAR ± 2°	REV. A		
Siemens Industry, Inc. West Chicago, IL 60185-1655			F/N: X:\STD\D46\752002-A.DWG	STYLE: ***	
			SHEET #		1

CAD CAM DRAWING - DO NOT MANUALLY CHANGE