



**Hammond Power Solutions Inc.**

TITLE: 3PH DISTRIBUTION TRANSFORMER  
NAMEPLATE INFORMATION

|        |          |
|--------|----------|
| DES:   | PPICASSI |
| DATE:  | 16/01/05 |
| SCALE: | NTS      |

SHEET 1 OF 2

EDB 3F3Y150K4FCD16

0.1 root 2016/02/04 10:35

# SIEMENS

CATALOG NO. 3F3Y150K4FCD16

SERIAL NO.

150 kVA 60 Hz 3 PHASE  
4.7 % IMP AT 135 °C

115 °C RISE 30 °C AVG. AMBIENT  
220 °C TEMP CLASS 40 °C MAX. AMBIENT

PRIMARY ( H1 H2 H3 ) 480V V 10 kV BIL  
SECONDARY( X0 X1 X2 X3 ) 208Y/120V V 10 kV BIL

WINDING MATERIAL CU

ENCLOSURE TYPE 3R WEIGHT 1100 LBS

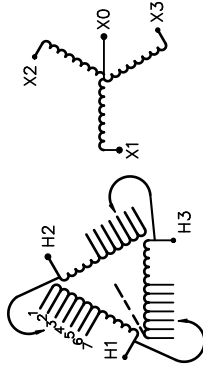
ENERGY EFFICIENCY EXCEEDS CSA DOE 10 CFR PART 431:2016  
C802.2-2012

SPACINGS BETWEEN ANY VENTILATED ENCLOSURE PANEL AND ANY ADJACENT WALL SHALL BE A MINIMUM OF 5 INCHES EXCEPT WHEN WALL MOUNTED USING APPROVED WALL MOUNTING KIT ELECTROSTATIC SHIELD

SUITABLE FOR NONSINUSOIDAL CURRENT LOAD WITH K-FACTOR NOT TO EXCEED K-4  
SUITABLE FOR INDOOR OR OUTDOOR LOCATIONS  
BEFORE HANDLING, INSTALLING AND OPERATING, SEE INSTRUCTION MANUAL

NEMA Class ANN Dry Type Transformer

Siemens Industry, Inc. Norcross, GA



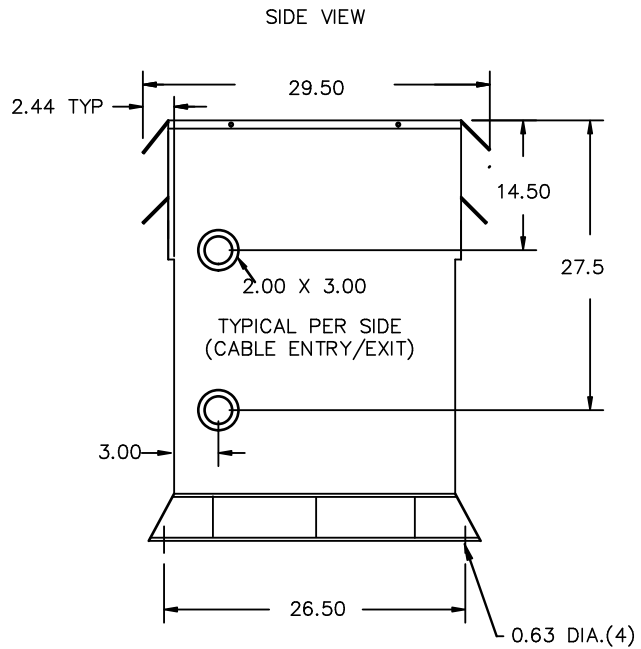
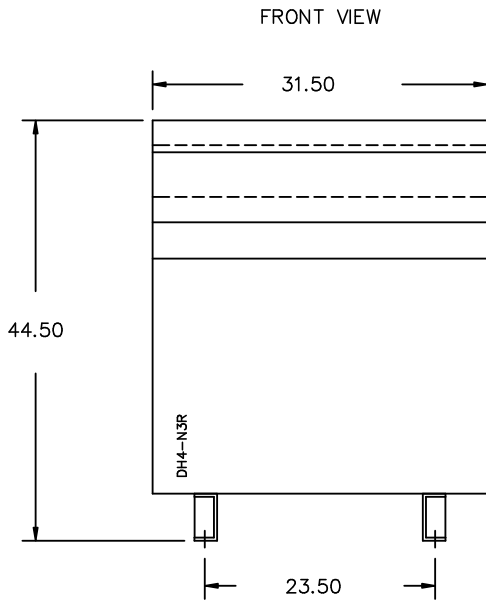
| VOLTS | CONNECT |
|-------|---------|
| 504   | 1       |
| 492   | 2       |
| 480   | 3       |
| 468   | 4       |
| 456   | 5       |
| 444   | 6       |
| 432   | 7       |



TYPE K  
SEISMIC QUALIFICATIONS, FLOOR MOUNT ONLY  
OSP-0136-10 IBC 2012/ASCE 7-10  
SDS<=2.0g Z/h=1 Ip=1.5



3F3Y150K4FCD16



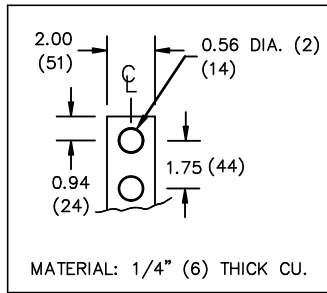
All Dimensions in inches

ENCLOSURE COLOR :ANSI 61 GREY – OUTDOOR

H.V.1. TERMINAL DETAIL

L.V.1. TERMINAL DETAIL

MECHANICAL TYPE LUGS INCLUDED  
SUITABLE FOR 350MCM-6 CU/AL  
CONDUCTORS  
1 CONDUCTOR PER PHASE



CUSTOMER NOTES:

- HV1 TERMINATED AT TOP FRONT
- LV1 TERMINATED AT BOTTOM FRONT



TITLE: 3PH DISTRIBUTION TRANSFORMER

|     |      |    |          |                |
|-----|------|----|----------|----------------|
|     |      |    |          | DES: PPICASSI  |
|     |      |    |          | DATE: 16/01/05 |
| NO. | DATE | BY | REVISION | SCALE: NTS     |

SHEET 2 OF 2

EDB3F3Y150K4FCD16

0.1 root 2016/02/04 10:35