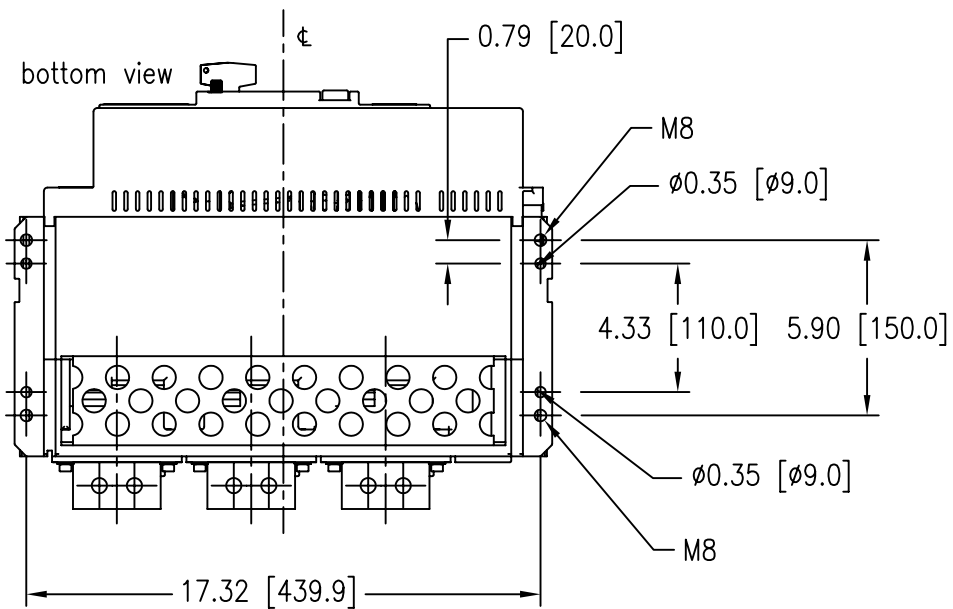
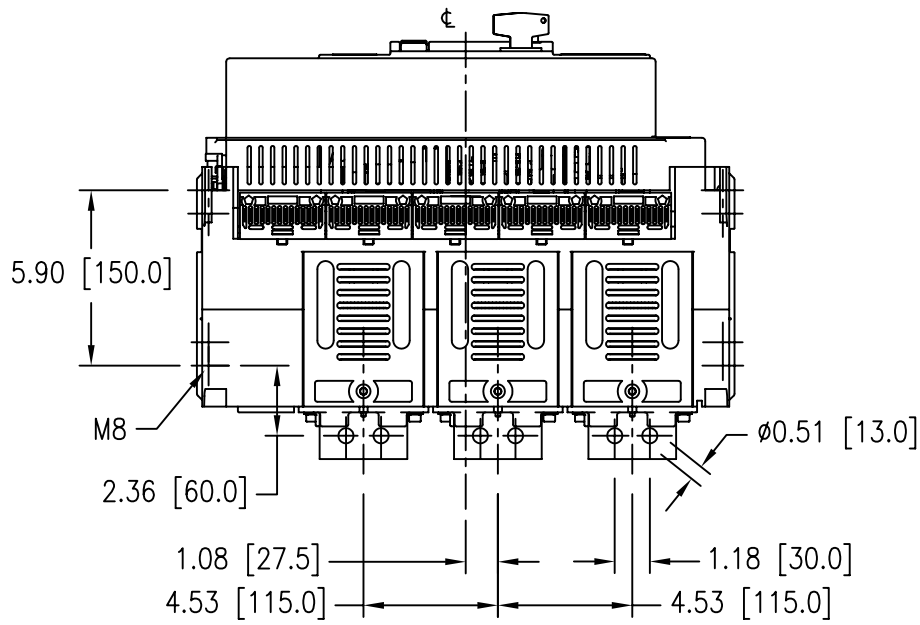


Frame_Size_1_fixed_1_m.dwg

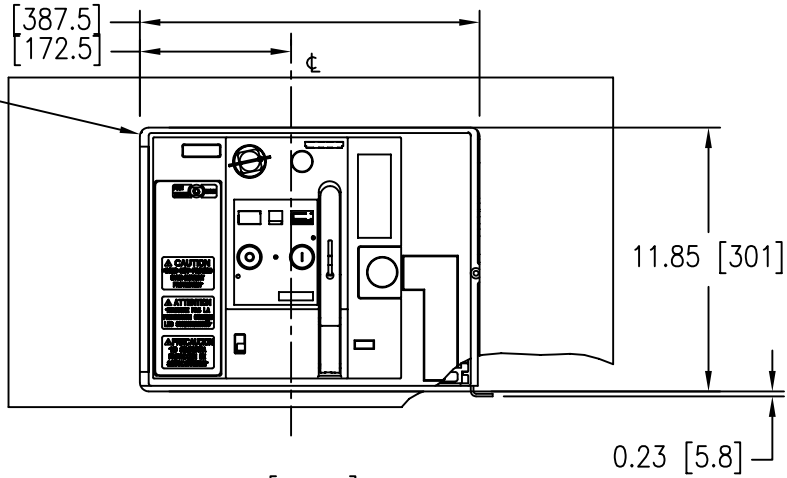


Frame_Size_1_fixed_2_m.dwg

R0.39 [R10.0]
(max. radii,
4 plc's)

15.26 [387.5]
6.79 [172.5]

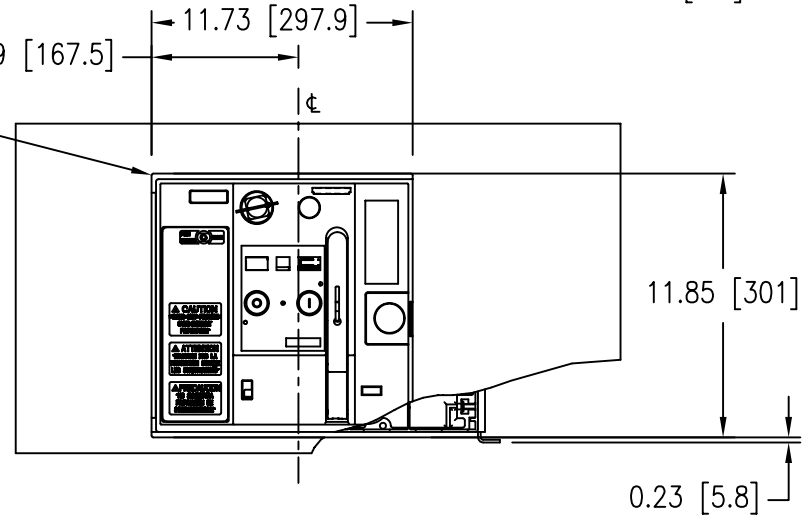
door cut-out



R0.08 [R2.0]
(max. radii,
4 plc's)

6.59 [167.5]

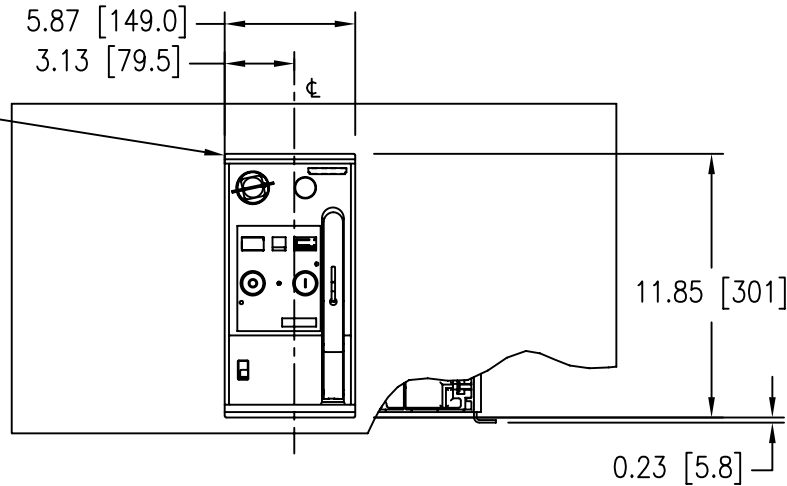
door cut-out
(middle
escutcheon
visible)



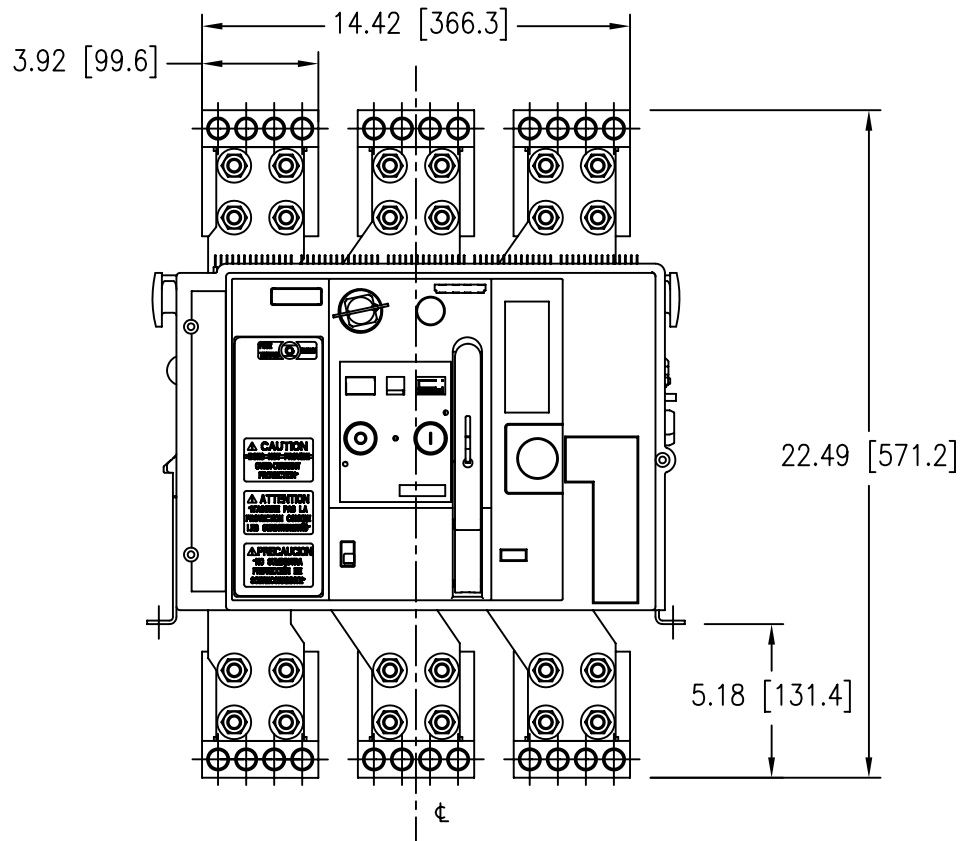
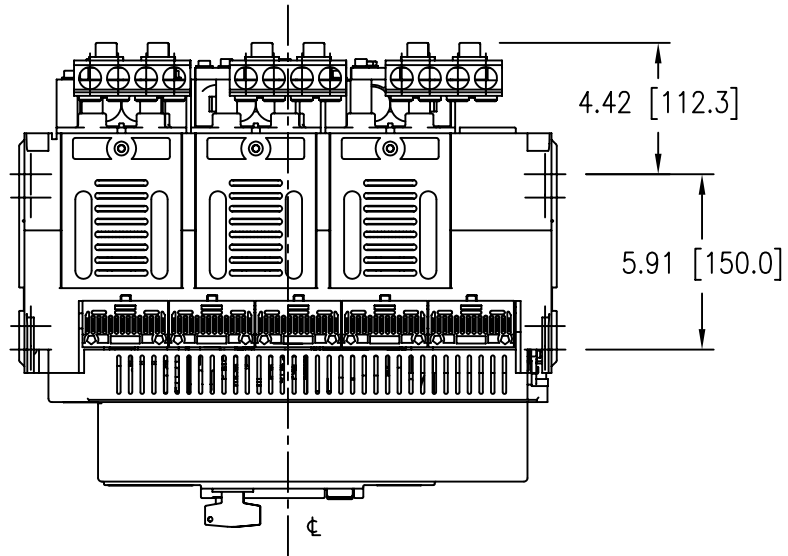
R0.08 [R2.0]
(max. radii,
4 plc's)

5.87 [149.0]
3.13 [79.5]

door cut-out
(only center
escutcheon
visible)



Frame_Size_1_fixed_4_m.dwg



Frame_Size_1_fixed_6_m.dwg