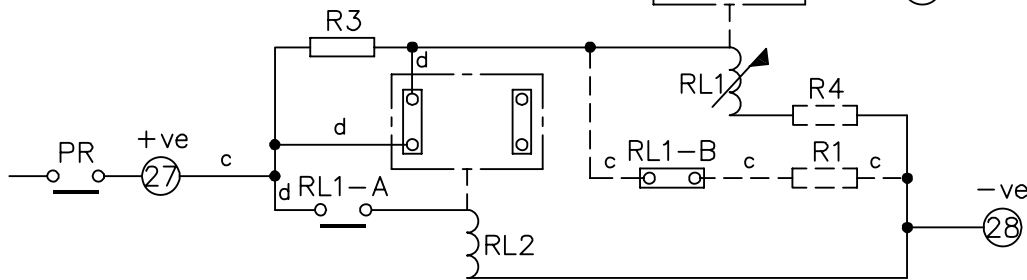
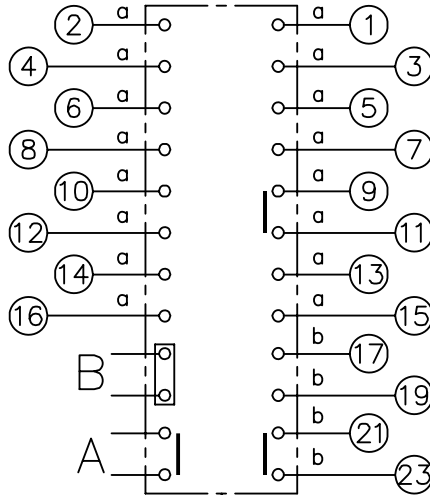


LOOKING ON FRONT OF RELAY

**FOR INTERNAL USE ONLY
UNCONTROLLED COPY
NOT SUBJECT TO UPDATE**



ASSEMBLY WIRES USED		
a	2107B10001	16 OFF
b	2107B10002	4 OFF
c	2107B10004	1 OR 4 OFF
d	2107D10166	3 OFF

**DATE 04/05/2020
Printed on
IF IN DOUBT ASK**

2112W50010

KEY	220&240		1x470R 2102C45471				1x6K8 2102C65682				NOT FITTED	
	○	125	2x100R in series	2102C41101	2x3K9 in parallel	2102C45392	NOT FITTED					
□	50	1x390R	2102C35391	2x820R in parallel	2102C45821	1x22R	2102C25220					
○/○	30	NOT FITTED		2x68R in series	2102C45680	NOT FITTED						
○/○/○	24	NOT FITTED		2x180R in parallel	2102C45181	NOT FITTED						
	VDC	R1		R3				R4				
②	ext. conn	CONTACT CONFIG. / OUTPUT CONTACT PAIR / TERMINAL No.										NOTE: 1. CONTACT CONFIGURATION ABOVE IS REQUIRED FOR RELAY OPERATION. FOR DETAILS OF VARIABLE CONTACT OPTIONS SEE TABLE OPPOSITE. 2. AREAS INDICATED THUS --- APPLY TO 50V, 125V AND 220/240V ONLY.
⌋	plug bridge - shorting	1-3	2-4	5-7	6-8	9-11	10-12	13-15	14-16	17-19	21-23	
⊖	metering point	10M	M	M	M	M	M	M	M	M	M	
⊖	5Kv barrier	9M 1B	M	B	M	M	M	M	M	M	M	
□	test socket - shorting	8M 2B	B	B	M	M	M	M	M	M	M	
⊖	plug & socket	7M 3B	B	B	M	B	M	M	M	M	M	
		6M 4B	B	B	B	B	M	M	M	M	M	
		5M 5B	B	B	B	B	M	B	M	M	M	
		4M 6B	B	B	M	B	M	M	B	B	B	
		3M 7B	B	B	B	B	M	M	B	B	B	
		2M 8B	B	B	B	B	M	B	B	B	M	

FRAME REFERENCE: E4FE02.
FRAME TERMINAL BLOCK ASSY: -
ASSEMBLY INSTRUCTIONS: -
TYPICAL ASSEMBLY DRAWING 2995G10032.
AT INDICATED POSITIONS FIT AS FOLLOWS:
T - FIT TRIP ISOLATION CONTACT 2995B10053
S - FIT STANDARD CONTACT 2995B10054
SECURE CONTACTS USING FIXING SCREW 2109F99009.
POSITIONS SHOWN BLANK ARE UNUSED

2	T	T	1
4	T	T	3
6	T	T	5
8	T	T	7
10	T	T	9
12	T	T	11
14	T	T	13
16	T	T	15
18		T	17
20		T	19
22		T	21
24		T	23
26			25
28	S	S	27

VIEW FROM NUMBERED SIDE OF BLOCK

OUTER TERMINAL BLOCK ASSY: -
ASSEMBLY INSTRUCTIONS: -
TYPICAL ASSEMBLY DRAWING 2995G10029.
AT INDICATED POSITIONS FIT AS FOLLOWS:
S - FIT STANDARD CONTACT 2995B10051
HC - FIT 'HEAVY CURRENT' KIT 2995G10030
WHERE ○/○ IS SHOWN FIT CT SHORTING KIT 2995G10031
POSITIONS SHOWN BLANK ARE UNUSED.
ALL POSITIONS FIT SCREW 2106F12506.

2	S	S	1
4	S	S	3
6	S	S	5
8	S	S	7
10	S	S	9
12	S	S	11
14	S	S	13
16	S	S	15
18		S	17
20		S	19
22		S	21
24		S	23
26			25
28	S	S	27

VIEW FROM INSIDE FACE

5 RDW 25/8/13	25/06/13	MN112/3646	Title: T.B. AND WIRING DIAG. FOR TR212-10 RELAYS IN EPSILON E4 CASE.	First used on:
4 SEE 5	09/02/10	MN112/3249		Similar Articles:
3 RDW	11/11/05	MN112/2744		Supersedes:
2 RDW	9/7/03	MN112/2560		Original Scale:
1	06/04/99			Drg.No.
ISSUE	DATE	MOD.No.	Reyrolle Protection Hebburn.	2112W50010
DRAWN: A.LAW.	CHECKED:	APPROVED: R.D.WATSON	DATE: 16/07/02	Copyright © 1998 Reyrolle Ltd.