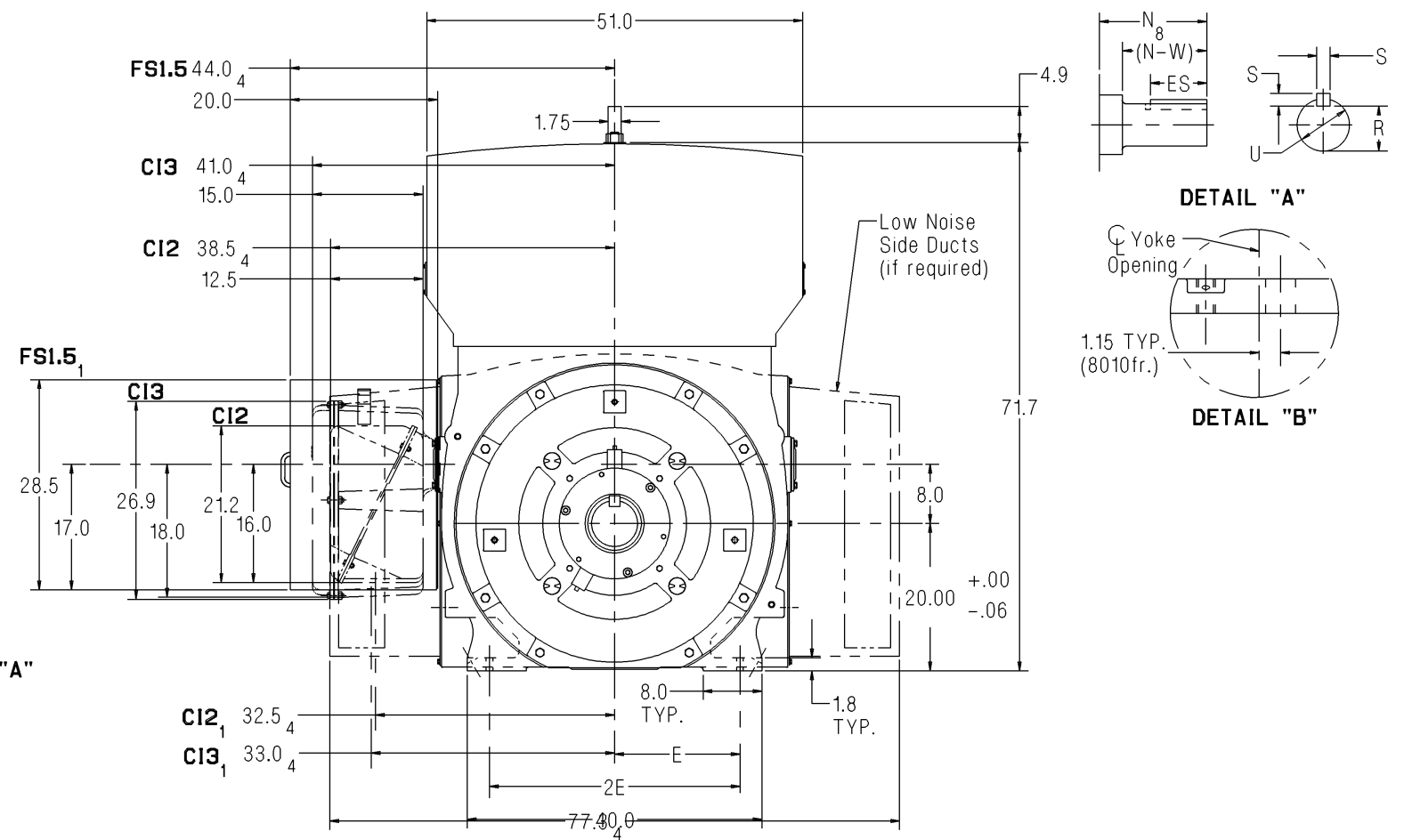
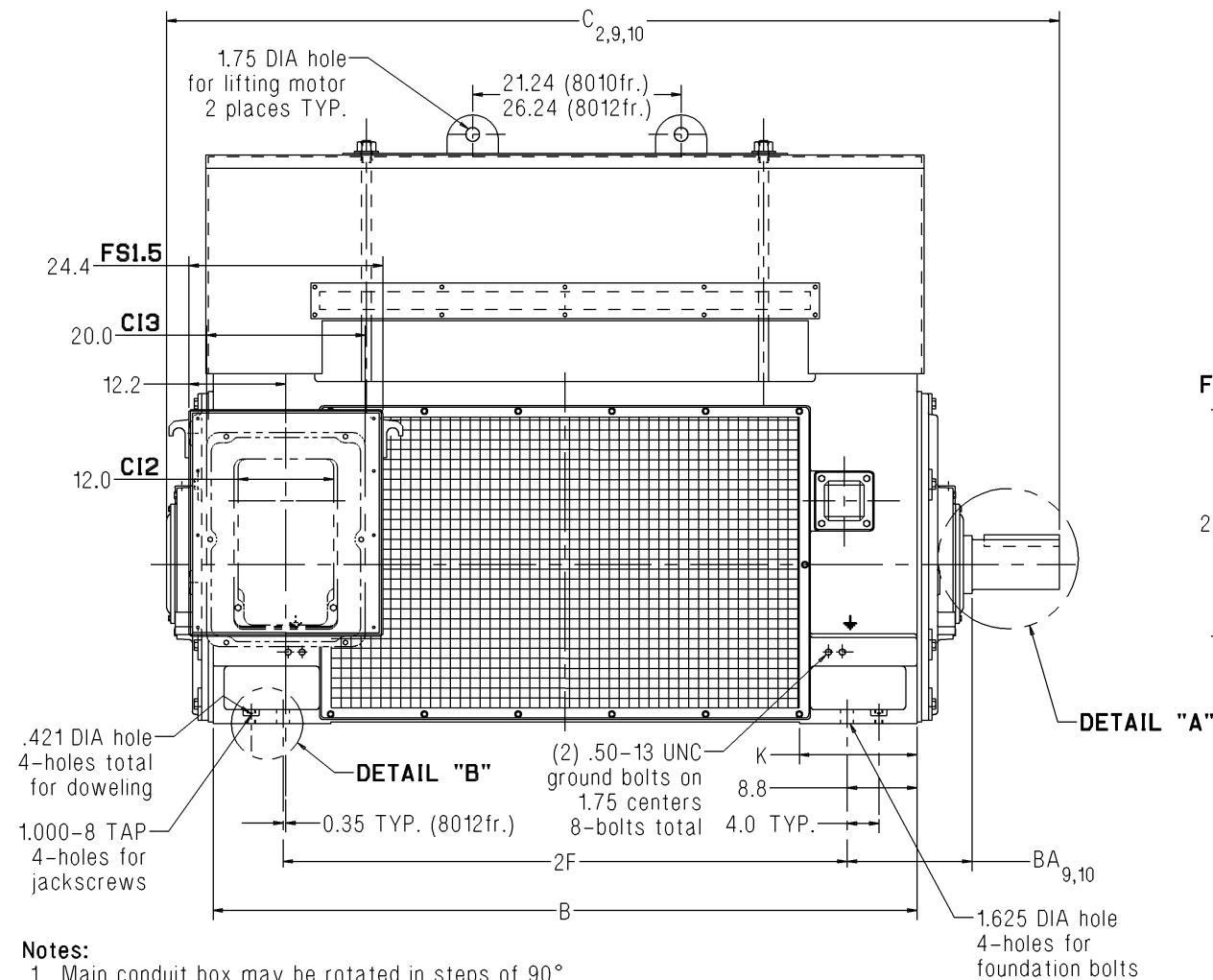


SIEMENS

Dimension Prints for Above NEMA Motors

Type CG – Horizontal – Open Drip Proof / Weather Protected Type I
 Anti-Friction Bearing – Direct Connected
 Frames 8010 / 8012 – 8 Pole & Slower – Rotatable Main Conduit Box



Notes:

1. Main conduit box may be rotated in steps of 90°. A removable bottom plate is supplied on the FS1.5 conduit box. A 5.0 N.P.T. is supplied on the CI2 and CI3 conduit boxes.
2. C = Length of motor from drive end of shaft to end of non-drive end of motor.
3. V = (N-W)-0.25" = length of shaft available for coupling.
4. Adding the low noise side ducts requires a 16.0" spacer for all rotatable conduit boxes. All associated rotatable conduit box dimensions will change accordingly.
5. Machines may rotate in either direction.
6. Shims may be necessary under motor feet for direct connection.
7. Short shaft is for direct connection.
8. Adding a rotating labyrinth seal to the drive end decreases N by:
 8 Pole & Slower: 0.52"
9. Adding a ground brush increases BA and C by:
 8 Pole & Slower: 2.50"
10. Adding a ground brush with rotating labyrinth seal increases BA and C by:
 8 Pole & Slower: 2.75"

Standard Dimensions in Inches

Shaft	Frame	Speed	B	BA _{9,10}	C _{2,9,10}	E	2F	K	N ₈	(N-W)	R	S	U	V ₃	ES	Approx. Ship Wt. (Lbs)
Short	8010	8 Pole & Slower	73.6	15.75	97.4	17.0	56.0	13.3	12.1	11.0	5.408	1.50	6.250	10.75	9.5	18000
Short	8012	8 Pole & Slower	88.6	15.75	112.4	17.0	71.0	14.8	12.1	11.0	5.408	1.50	6.250	10.75	9.5	22800

Certification: Customer _____ P.O. _____ S.O. _____ Item _____
 HP _____ RPM _____ Frame _____ PH/HZ/Volts 3/_____/_____
 By _____ Date _____ Terminal Box Size CI2 CI3 FS1.5
 Comments _____
 Not for construction, installation or application purposes unless certified.

CG_800_8plusPL_AF_ROT
 Revision 01
 01/26/09