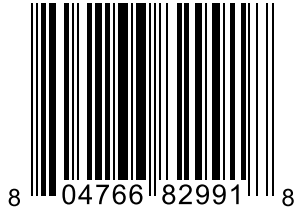


SIEMENS

CATALOG NUMBER

ECMMBCL

Main Breaker Cover Replacement Kit



⚠ DANGER

Hazardous Voltage.
Will cause death, serious injury
or substantial property damage.

Turn off power supplying this
equipment before working inside.

PowerMod™ Breaker Cover Replacement Kit Contents:

- (1) Breaker Cover
- (1) Base
- (1) Gasket
- (1) Latch
- (6) #10 Screws

Note: This instruction outlines the recommended installation procedure. For installation by a qualified person, as defined by all local electrical codes and/or the National Electrical Code ®.

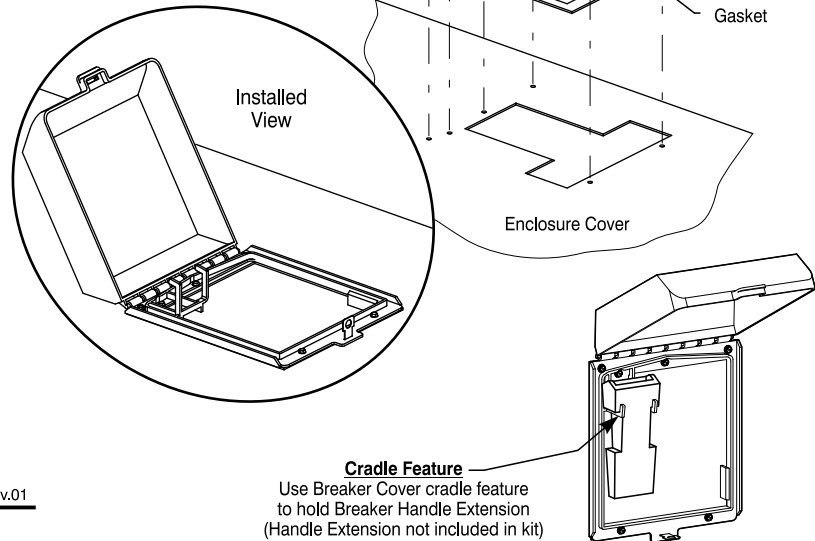
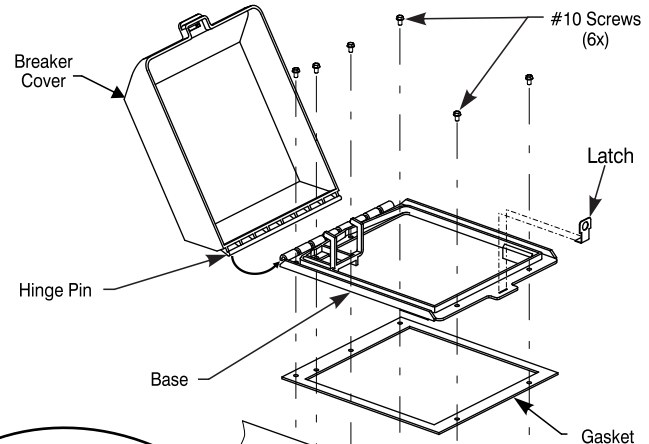
1. Turn off and lock off the power supplying the device before working inside.
2. Clean and prepare surface; remove any old or damaged material before installing replacement part. Do not allow petroleum based (hydrocarbon) sprays, chemicals, solvents or any paint to contact plastic components.
3. Place Gasket on Enclosure Cover, aligning holes.
4. Assemble Latch to Base by sliding angled end of Latch through opening in Base as shown.
5. Insert Breaker Cover hinge pins into Base opening as shown.
6. Secure Breaker Cover/Base assembly to Gasket and Enclosure Cover with (6) #10 Screws provided. Tighten screws to 15 lb.-ins.

Siemens Industry, Inc. Norcross, Georgia U.S.A.

48100141 0101 Rev.01

® The National Electrical Code is a registered trademark of the National Fire Protection Association.

© 2019 Copyright Siemens Industry, Inc.



Cradle Feature

Use Breaker Cover cradle feature
to hold Breaker Handle Extension
(Handle Extension not included in kit)