

# SIEMENS

CATALOG NO. 3B5R112BCD16

SERIAL NO.

SERIES H

112.5 kVA 60 Hz 3 PHASE

4.3 % IMP AT 100 °C

80 °C RISE 30 °C AVG. AMBIENT

220 °C TEMP CLASS 40 °C MAX. AMBIENT

PRIMARY ( X1 X2 X3 ) 208 V 10 kV BIL

SECONDARY( H0 H1 H2 H3 ) 480Y/277 V 10 kV BIL

WINDING MATERIAL CU

ENCLOSURE TYPE 3R WEIGHT 970 LBS

ENERGY EFFICIENCY EXCEEDS CSA DOE 10 CFR PART 431:2016 C802.2-2012

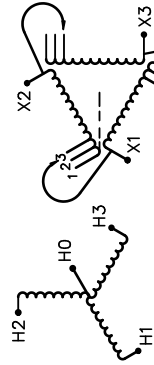
SPACINGS BETWEEN ANY VENTILATED ENCLOSURE PANEL AND ANY ADJACENT WALL SHALL BE A MINIMUM OF 5 INCHES EXCEPT WHEN WALL MOUNTED USING APPROVED WALL MOUNTING KIT TRANSFORMER SUITABLE FOR STEP UP OPERATION ONLY

SUITABLE FOR INDOOR OR OUTDOOR LOCATIONS BEFORE HANDLING, INSTALLING AND OPERATING, SEE INSTRUCTION MANUAL

NEMA Class ANN Dry Type Transformer

Siemens Industry, Inc. Norcross, GA

des00066e1



VOLTS  
208  
197  
186

CONNECT  
1  
2  
3



3B5R112BCD16

TYPE K



DRY TYPE TRANSFORMER 7705 E112313



LR 3902

LISTED

SEISMIC QUALIFICATIONS, FLOOR MOUNT ONLY  
OSP-0136-10 IBC 2012/ASCE 7-10  
SDS<=2.0g Z/h=1 Ip=1.5

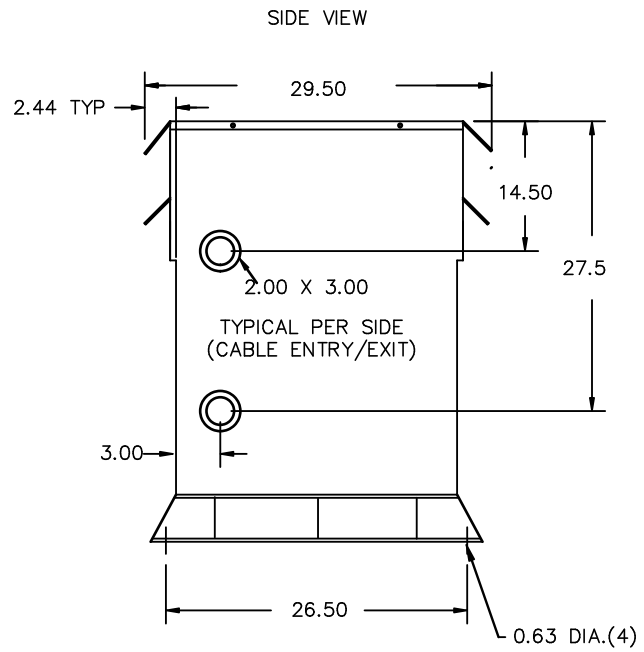
REVISION	DATE	BY	DATE	BY
		DRAWN	15/11/27	RM
		CHEK'D		
		VERIF'D		

Confidential - Property of  
Siemens Industry, Inc.

CUSTOMER	
ORDER NO.	DWG. NO. 3B5R112BCD16
SH 1 OF 2	



All Dimensions in inches

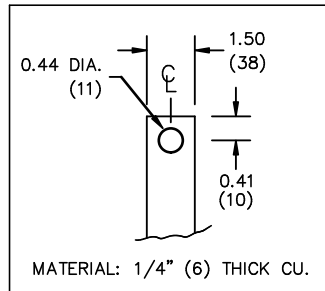


ENCLOSURE COLOR :ANSI 61 GREY – OUTDOOR

H.V.1. TERMINAL DETAIL

L.V.1. TERMINAL DETAIL

MECHANICAL TYPE LUGS INCLUDED  
SUITABLE FOR 250MCM-6 CU/AL  
CONDUCTORS  
1 CONDUCTOR PER PHASE



CUSTOMER NOTES:

- HV1 TERMINATED AT BOTTOM FRONT
- LV1 TERMINATED AT TOP FRONT

Confidential – Property of  
Siemens Industry, Inc.

REVISION	DATE	BY	DATE	BY	CUSTOMER
			DRAWN 15/11/27	RM	
			CHEK'D		
			VERIF'D		
					ORDER NO.
					DWG. NO. 3B5R112BCD16
					SH 2 OF 2