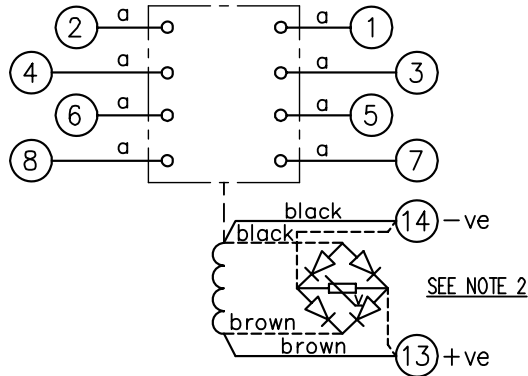


LOOKING ON FRONT OF RELAY

2112W50037



**NOT SUBJECT TO UPDATE  
ONCE COPIED / PRINTED  
OR DOWNLOADED**

**PRINTED ON 02/12/2011  
ENSURE CORRECT REVISION  
DESTROY AFTER USE**

**KEY**

- make contact
- break contact
- c/o contact
- ext. conn
- plug bridge - shorting
- metering point
- 5Kv barrier
- test socket - shorting
- plug & socket

**NOTE:**  
 1. HEAVY DUTY CONTACTS ARE FITTED WITH BLOWOUT MAGNETS AND ARE POLARITY CONSCIOUS, SEE TABLE FOR +VE TERMINAL.  
 2. DASHED LINE --- SHOWS CONNECTIONS WHEN RECTIFIERS ARE FITTED, (AC APPLICATIONS ONLY).

CONTACT CONFIG.	OUTPUT CONTACT PAIR / TERMINAL No.					
	1-3	2-4	5-7	6-8	9-11	10-12
1M(HD) 3MOB	M+	M	M	M		
1M(HD) 2M1B	M+	M	M	B		
1M(HD) 1M2B	M+	M	B	B		
1M(HD) 0M3B	M+	B	B	B		
2M 2M(HD)	M+	M+	M	M		
2M 2B(HD)	M	M	+B	+B		
2M(HD) 2B	M+	M+	B	B		

**ASSEMBLY WIRES USED**

a	2107B10002	8 OFF
---	------------	-------

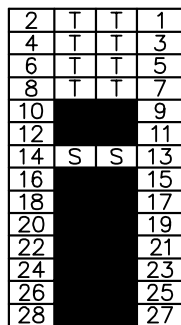
**F.R. COILS SEE BOMS AND CUSTOMER ORDERS FOR SETTINGS.**

V	A.R. COILS ONLY
24	2112G20019
30	2112G20020
50	2112G20022
60	2112G20023
125	2112G20026
240	2112G20029

FRAME REFERENCE: E2FAQQ.

FRAME TERMINAL BLOCK ASSY: -

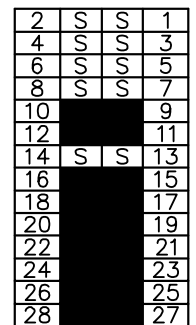
ASSEMBLY INSTRUCTIONS: -  
 TYPICAL ASSEMBLY DRAWING 2995G10032.  
 AT INDICATED POSITIONS FIT AS FOLLOWS:  
 T - FIT TRIP ISOLATION CONTACT 2995B10053  
 S - FIT STANDARD CONTACT 2995B10054  
 SECURE CONTACTS USING FIXING SCREW 2109F99009.  
 POSITIONS SHOWN BLANK ARE UNUSED



VIEW FROM NUMBERED SIDE OF BLOCK

OUTER TERMINAL BLOCK ASSY: -

ASSEMBLY INSTRUCTIONS: -  
 TYPICAL ASSEMBLY DRAWING 2995G10029.  
 AT INDICATED POSITIONS FIT AS FOLLOWS:  
 S - FIT STANDARD CONTACT 2995B10051  
 HC - FIT 'HEAVY CURRENT' KIT 2995G10030  
 WHERE IS SHOWN FIT CT SHORTING KIT 2995G10031  
 POSITIONS SHOWN BLANK ARE UNUSED.  
 ALL POSITIONS FIT SCREW 2106F12506.



VIEW FROM INSIDE FACE

			Title: TB & WD FOR AR OR FR1-1/1-2 4 CONT. RELAYS (WITH HD CONTS) IN EPSILON E2.		First used on:	
					Similar Articles:	
					Supersedes:	
			Original Scale:		Drg.No.	
2 RDW 02/12/11 MW112/3483 JB			<b>Reyrolle Protection Hebburn.</b>		2112W50037	
1 24/03/99						
ISSUE DATE MOD.No.						
DRAWN: A.LAW.		CHECKED:	APPROVED: R.D.WATSON	DATE: 16/07/02	Copyright © 1998 Reyrolle Ltd.	