



Programmer

RWB9

Features

- User friendly backlit display
- Simple operation
- LED "ON" Lamps
- Advance and + 1 hour boost facility
- 2/3 ON/OFFS
- Gravity or fully pumped systems
- Universal programming - daily, weekend/weekday/ 7 day
- Programmable away from its backplate
- Industry standard backplate
- Battery back-up

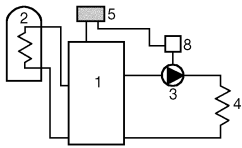
Use

The Siemens RWB9 programmer is a multi-choice microprocessor based product designed to provide control of the central heating (CH) and/or hot water (HW) systems.

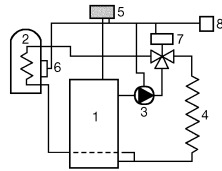
The RWB9 offers the user the ability to select a variety of switching and programming choices tailored to meet individual requirements, plus the ability to programme past midnight, ie. the last OFF can be almost 24 hours after the first ON. In conjunction with appropriate thermostats and motorised valves it can be used, in any type of low amperage heating installation, to provide total time and temperature control.

Application Examples

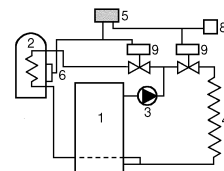
Pumped Central Heating with Gravity hot water (10 programmes)



Mid-Position System (16 programmes)



Zone valve system (16 programmes)



Key

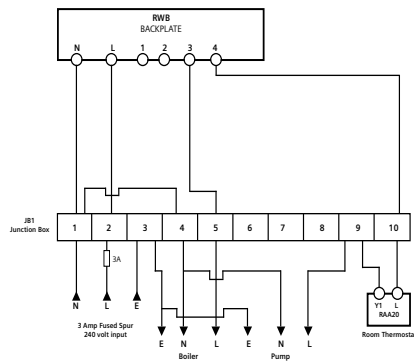
1 Boiler
2 Hot water cylinder
3 Pump

4 Heating Circuit
5 Programmer RWB
6 Cylinder thermostat RAM

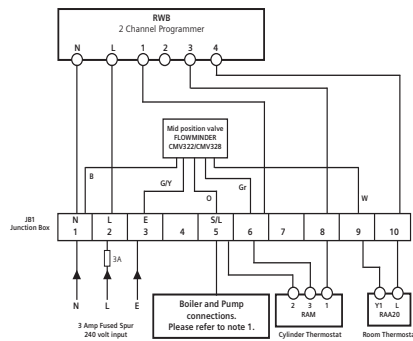
7 Three Way Valve CMV..
8 Room thermostat RAA
9 Zone valve CZV...

Wiring Diagrams

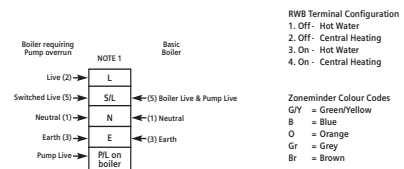
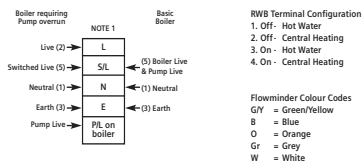
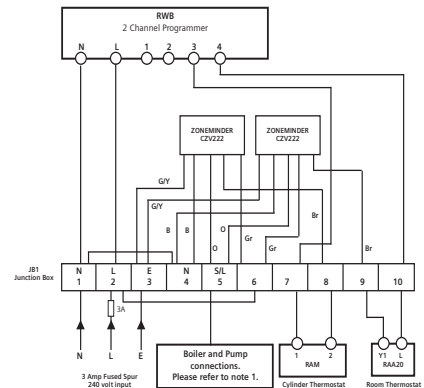
Pumped Central Heating with Gravity hot water



Mid-Position System



Zone valve system



Technical Data

Operating Voltage

AC 220-240 V

Frequency

50 Hz

Contact Rating

- resistive

6 Amp

- inductive

2 Amp

Ambient temperature range

0°C to 40°C

Environmental humidity

80% RH

Housing ABS resistant to fire

as IEC 730 standard

Dimensions

140mm wide x 85mm high x 36mm deep

Siemens Building Technologies
Hawthorne Road
Staines
Middlesex
TW18 3AY

Technical helpline 0870 850 0184

