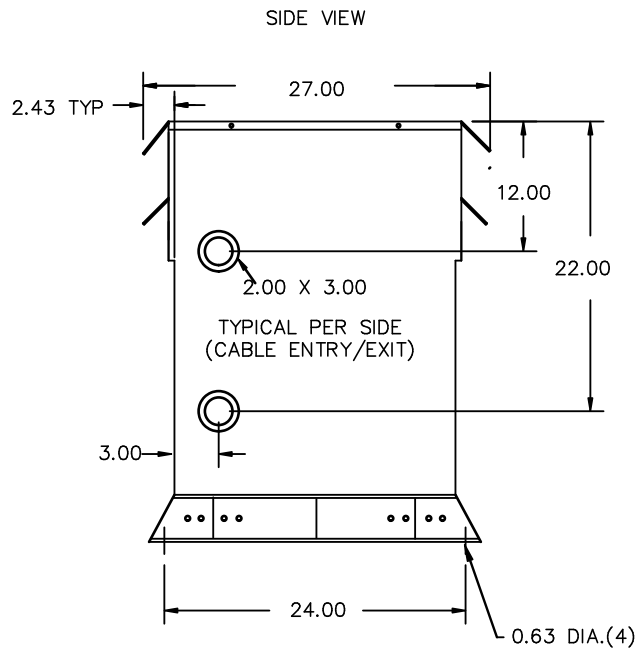
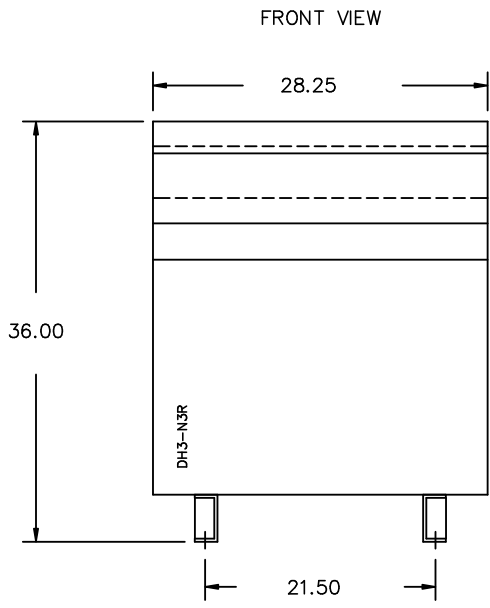


REVISION	DATE	BY	DATE	BY
		DRAWN	17/05/25	PP
		CHEK'D		
		VERIF'D		

Confidential - Property of Siemens Industry, Inc.	
CUSTOMER	
ORDER NO.	DWG. NO. 1D1Y075CTP1-T
	SH 1 OF 3

SIEMENS

<p>CATALOG NO. 1D1Y075CTP1-T SERIAL NO. 75 kVA 60 Hz 1 PHASE 5.7 % IMP AT 170 °C</p>	<p style="text-align: center;">SERIES H</p> <p>150 °C RISE 30 °C AVG. AMBIENT 220 °C TEMP CLASS 40 °C MAX. AMBIENT</p> <p>PRIMARY (H1 H3 H2 H4) 240X480V V 10 kV BIL SECONDARY(X4 X2 X3 X1) 120/240V V 10 kV BIL</p> <p>WINDING MATERIAL CU</p> <p>ENCLOSURE TYPE 3R WEIGHT 520 LBS DOE 10 CFR PART 431:2016</p> <p>ENERGY EFFICIENCY CSA C802.2-12</p>																																		
<p>HAM1497</p>																																			
<table border="1" style="width: 100%; border-collapse: collapse;"> <tr> <th style="width: 15%;">VOLTS</th> <th style="width: 85%;">INPUT LINE ON H1, H4</th> </tr> <tr> <td>504</td> <td>H2-1, H3-2</td> </tr> <tr> <td>492</td> <td>H3-2, H2-3</td> </tr> <tr> <td>480</td> <td>H2-3, H3-4</td> </tr> <tr> <td>468</td> <td>H3-4, H2-5</td> </tr> <tr> <td>456</td> <td>H2-5, H3-6</td> </tr> <tr> <td>444</td> <td>H3-6, H2-7</td> </tr> <tr> <td>432</td> <td>H2-7, H3-8</td> </tr> <tr> <td colspan="2" style="text-align: center;">CONNECT</td> </tr> <tr> <td colspan="2" style="text-align: center;">CONNECT H2 TO H3 FOR SERIES PRIMARY</td> </tr> <tr> <th style="width: 15%;">VOLTS</th> <th style="width: 85%;">INPUT LINE ON H1&H3, H2&H4</th> </tr> <tr> <td>252</td> <td>H2-1, H3-2</td> </tr> <tr> <td>240</td> <td>H2-3, H3-4</td> </tr> <tr> <td>228</td> <td>H2-5, H3-6</td> </tr> <tr> <td>216</td> <td>H2-7, H3-8</td> </tr> <tr> <td colspan="2" style="text-align: center;">CONNECT</td> </tr> <tr> <td colspan="2" style="text-align: center;">H1 TO H3 AND H2 TO H4 FOR PARALLEL PRIMARY</td> </tr> </table>		VOLTS	INPUT LINE ON H1, H4	504	H2-1, H3-2	492	H3-2, H2-3	480	H2-3, H3-4	468	H3-4, H2-5	456	H2-5, H3-6	444	H3-6, H2-7	432	H2-7, H3-8	CONNECT		CONNECT H2 TO H3 FOR SERIES PRIMARY		VOLTS	INPUT LINE ON H1&H3, H2&H4	252	H2-1, H3-2	240	H2-3, H3-4	228	H2-5, H3-6	216	H2-7, H3-8	CONNECT		H1 TO H3 AND H2 TO H4 FOR PARALLEL PRIMARY	
VOLTS	INPUT LINE ON H1, H4																																		
504	H2-1, H3-2																																		
492	H3-2, H2-3																																		
480	H2-3, H3-4																																		
468	H3-4, H2-5																																		
456	H2-5, H3-6																																		
444	H3-6, H2-7																																		
432	H2-7, H3-8																																		
CONNECT																																			
CONNECT H2 TO H3 FOR SERIES PRIMARY																																			
VOLTS	INPUT LINE ON H1&H3, H2&H4																																		
252	H2-1, H3-2																																		
240	H2-3, H3-4																																		
228	H2-5, H3-6																																		
216	H2-7, H3-8																																		
CONNECT																																			
H1 TO H3 AND H2 TO H4 FOR PARALLEL PRIMARY																																			
<table border="1" style="width: 100%; border-collapse: collapse;"> <tr> <th style="width: 15%;">VOLTS</th> <th style="width: 85%;">CONNECT</th> <th style="width: 15%;">OUTPUT LINE</th> </tr> <tr> <td>120</td> <td>X1-X3, X2-X4</td> <td>X1&X3, X2&X4</td> </tr> <tr> <td>240</td> <td>X2-X3</td> <td>X1, X2orX3, X4</td> </tr> <tr> <td>120/240</td> <td>X2-X3</td> <td>X1-X2-X4</td> </tr> </table>		VOLTS	CONNECT	OUTPUT LINE	120	X1-X3, X2-X4	X1&X3, X2&X4	240	X2-X3	X1, X2orX3, X4	120/240	X2-X3	X1-X2-X4																						
VOLTS	CONNECT	OUTPUT LINE																																	
120	X1-X3, X2-X4	X1&X3, X2&X4																																	
240	X2-X3	X1, X2orX3, X4																																	
120/240	X2-X3	X1-X2-X4																																	
<p>TYPE F DRY TYPE TRANSFORMER E112513 LISTED SEISMIC QUALIFICATIONS FLOOR MOUNT ONLY OSP-0136-10 IBC 2012/ASCE 7-10 SDS<=2.0g Z/h=1 Ip=1.5</p>																																			
<p>SPACINGS BETWEEN ANY VENTILATED ENCLOSURE PANEL AND ANY ADJACENT WALL SHALL BE A MINIMUM OF 3 INCHES</p> <p>SUITABLE FOR INDOOR OR OUTDOOR LOCATIONS BEFORE HANDLING, INSTALLING AND OPERATING, SEE INSTRUCTION MANUAL</p> <p>NEMA Class ANN Dry Type Transformer</p>																																			
Siemens Industry, Inc. Norcross, GA <small>csu0086e3</small>																																			



All Dimensions in inches

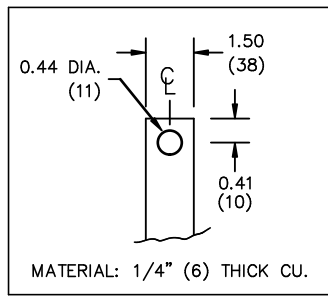
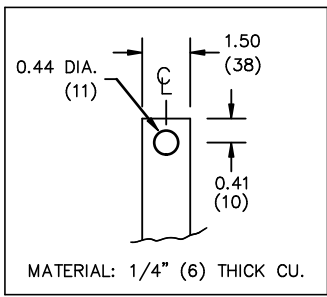
ENCLOSURE COLOR :ANSI 61 GREY – OUTDOOR

HV TERMINAL DETAIL

LV1 TERMINAL DETAIL

LV2 TERMINAL DETAIL

MECHANICAL TYPE LUGS INCLUDED
SUITABLE FOR 350MCM-6 CU/AL
CONDUCTORS
1 CONDUCTOR PER PHASE



CUSTOMER NOTES:

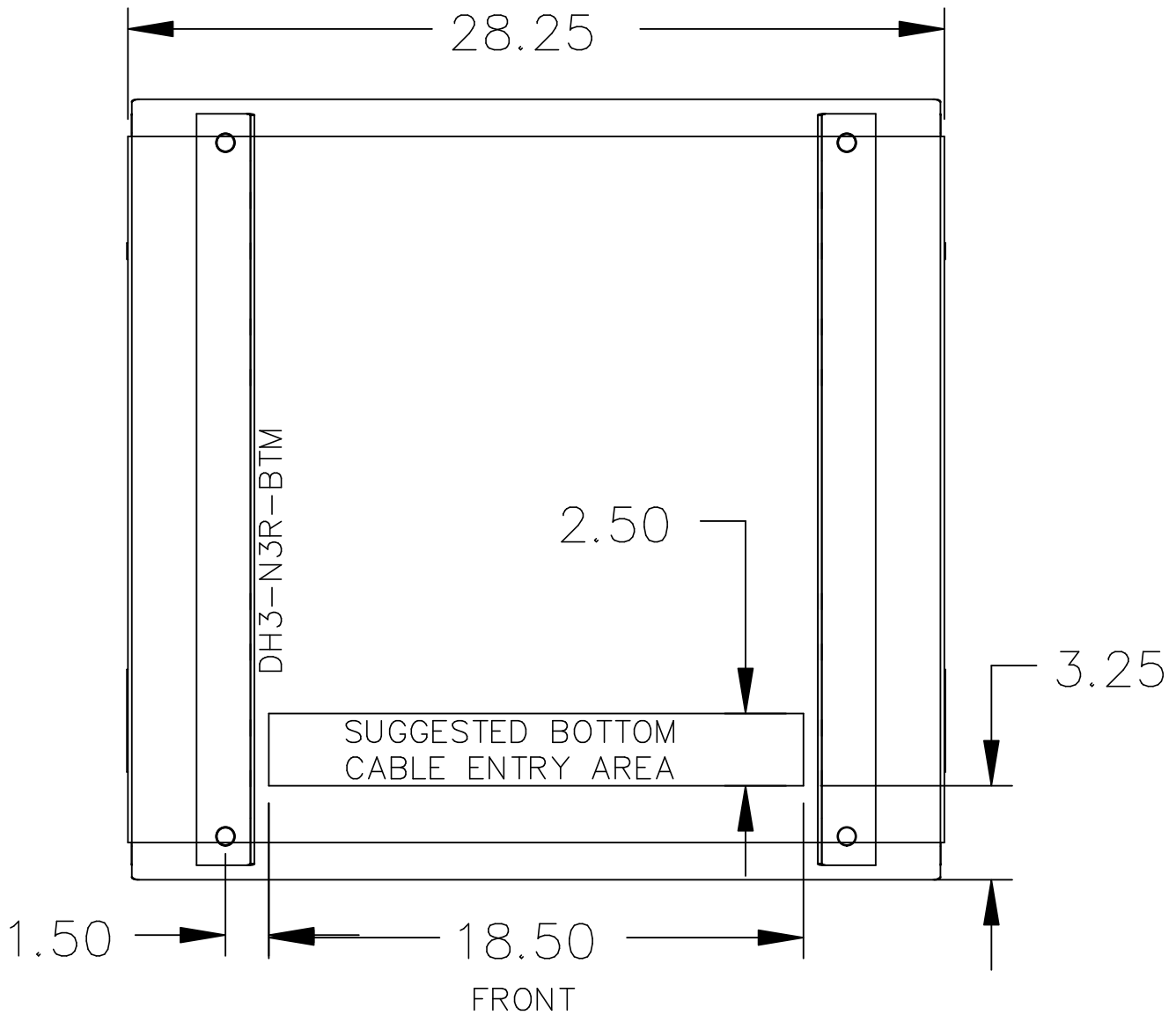
- HV TERMINATED AT TOP FRONT
- LV1 TERMINATED AT BOTTOM FRONT
- LV2 TERMINATED AT BOTTOM FRONT

Confidential – Property of
Siemens Industry, Inc.

REVISION	DATE	BY	DATE	BY
		DRAWN	17/05/25	PP
		CHEK'D		
		VERIF'D		

CUSTOMER	
ORDER NO.	DWG. NO. 1D1Y075CTP1-T
SH 2 OF 3	

0.3 ppicassinos 2017/05/25 09:42



NOTE:
 WHEN BOTTOM CABLE ENTRY IS OPTED, THE SPACE USED FOR CONDUITS IN THE FRONT OF THE TRANSFORMER SHOULD NOT OBSTRUCT MORE THAN 50% OF THE FRONT AIR INTAKE AREA DEFINED BETWEEN THE BOTTOM PLATE AND THE SUPPORTING LEGS.
 SEE MANUAL FOR ADDITIONAL INFORMATION

Confidential - Property of
 Siemens Industry, Inc.

REVISION	DATE	BY	DATE	BY
		DRAWN	17/05/25	PP
		CHEK'D		
		VERIF'D		

CUSTOMER	
ORDER NO.	DWG. NO. 1D1Y075CTP1-T
SH 3 OF 3	