



SIEMENS

www.usa.siemens.com/disconnectswitches

Bridges Electric™ polymer line tension disconnect

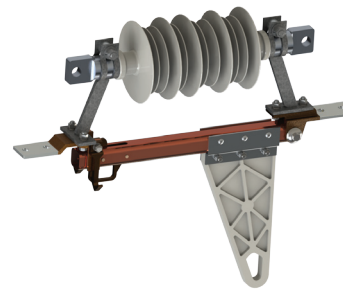
15 kV-38 kV, 200 kV BIL

The Bridges Electric™ types SE and SEL line tension disconnects are ruggedly built, reliable devices that splice onto the line, safely supporting the conductor while providing the required insulation gap for quick and safe line maintenance.

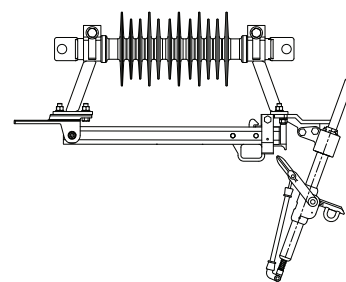
The polymer line tension disconnect offers all of the high quality benefits of the standard types SE and SEL line-tension disconnects and is now available with a polymer insulator.

These switches feature a sturdy and well-ventilated square tubular copper blade and high-pressure silver contacts for superior current carrying characteristics. In addition to a positive latch, all switches are furnished with an exclusive opening mechanism to ease hookstick operation.

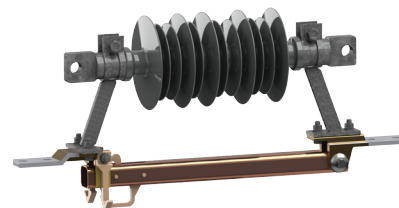
The polymer line tension disconnect is 200 kV BIL; used for 15 kV through 38 kV applications. Loadbreak hooks are standard. Many available options and accessories make the polymer line tension disconnect a flexible and low-cost solution.



Bridges Electric polymer line tension disconnect catalog number 327PV with closer arm



Bridges Electric polymer line tension disconnect model catalog number 327LP with plug-in style Saf-T-Gap interrupter



Bridges Electric polymer line tension disconnect catalog number 327P

Answers for infrastructure.

Features and benefits include:

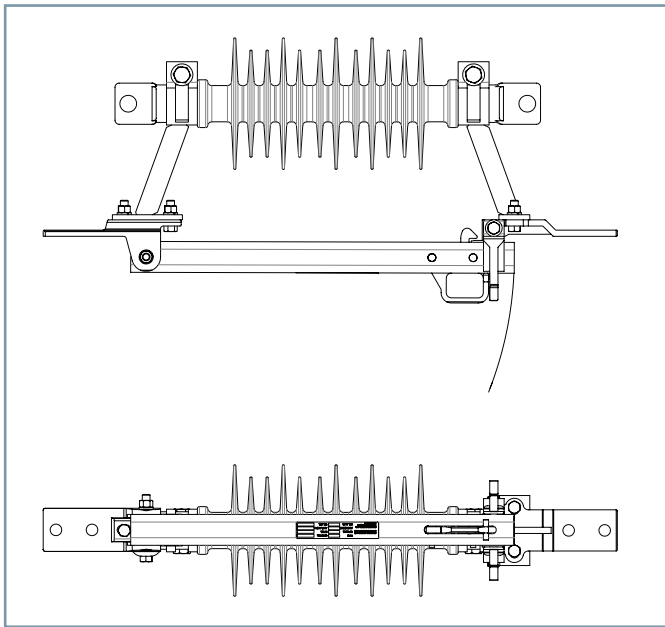
- Silicone polymer insulator (200 kV BIL)
- Lightweight design minimizes conductor loading – may be used with smaller conductors
- Rigid square tubular blade and high-pressure coin silver contacts
- Loadbreak hooks standard
- Loadbreak versions available
- Quick break versions available
- Closer arm versions available.

Options and accessories available:

- Cable connectors (A)
- Plug-in Saf-T-Gap interrupter for 15 kV and 25 kV applications (L)
- Quick break (QB)
- Hot line studs (S)
- Captive hardware (C)
- Closer arm (V).

For example, 327QBV is a polymer line tension disconnect with quick break and closer arm features.

Catalog number	Maximum kV	kV BIL	Continuous current	Dimensions in inches (mm)					Net weight in lbs (kg)	Ultimate tensile	Tensile test
				A	B	C	D	E	Polymer		
327P	15 kV to 38 kV	200	600 A	27.9 (709)	19.38 (492)	6.44 (164)	9.68 (246)	17.88 (454)	16 (7)	15,000 lbs	7,500 lbs
329P	15 kV to 38 kV	200	900 A	27.9 (709)	19.38 (492)	6.44 (164)	9.68 (246)	17.88 (454)	18 (8)	15,000 lbs	7,500 lbs



Bridges Electric polymer line tension disconnect model catalog number 327P

The information provided in this document contains merely general descriptions or characteristics of performance which in case of actual use do not always apply as described or which may change as a result of further development of the products. An obligation to provide the respective characteristics shall only exist if expressly agreed in the terms of contract.

All product designations may be trademarks or product names of Siemens AG or supplier companies whose use by third parties for their own purposes could violate the rights of the owners.

Siemens Industry, Inc.
99 Bolton Sullivan Drive
Heber Springs, AR 72543

Subject to change without prior notice.
Order No.: E50001-F710-A392-V1-4A00
All rights reserved.
© 2012 Siemens Industry, Inc.

For more information, contact: +1 (501) 362-8296

www.usa.siemens.com/disconnectswitches