

SIEMENS

Rainproof Combination Metering

Catalog Number

MM0202L1200ESC (Surface)
MM0202L1200EFC (Flush)

Enclosure

Type 3R

Panelboard Rating:

200 Amps Max.
 120/240 Volts ~, 1 phase, 3 wire;
 208Y/120 Volts ~, 1 phase, 3 wire
 (Derived from 3 phase - 4 wire system With 5th Jaw Assembly installed)

Meter Socket Rating: 200 Amps Continuous

For installation by Qualified Person in accordance with all local electrical codes and/or the National Electrical Code.®

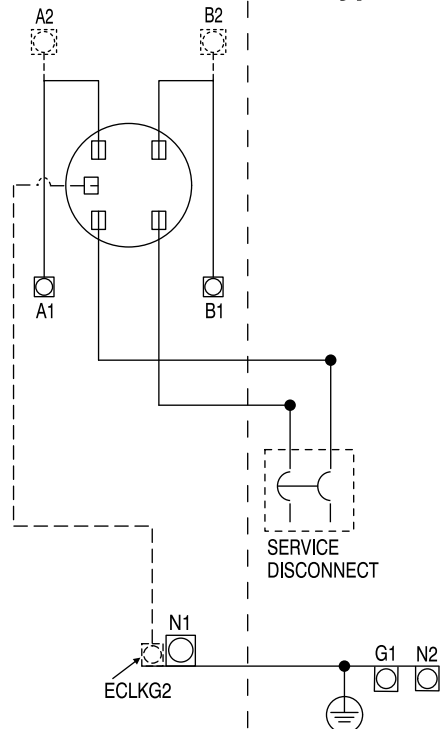
Suitable Only For Use As Service Equipment

For Overhead or Underground Service

Line terminals A1 and B1 are installed for underground service entry as shown in the wiring diagram. For overhead entry, reposition service bus per enclosed instruction sheet.

General Information:

Circuit breaker trip position is indicated by handle position midway between ON and OFF. To reset, move handle to OFF position then turn ON.



Use 60/75° C Copper or Aluminum Wires

Terminal	Wire Size	Torque
A1, B1, A2, B2	250kcmil - #4	250 lb-in
N1, N2	250kcmil - #4	250 lb-in
G1	2/0 - #14	50 lb-in
Branch Breaker Terminals	See Markings on Breaker	

If hub is required, use the catalog numbers listed below :

Trade size (in)	Catalog number
<i>RX Type Hub (top endwall)</i>	
1 ¼"	EC38597
1 ½"	EC38598
2"	EC38599
2 ½"	EC38600
<i>HC Type Hub (bottom endwall)</i>	
2"	ECHC200
2 ½"	ECHC250
3"	ECHC300

Accessories: Cat. No.

Filler Plate ECQF3
 5th Jaw Assembly EMC5J
 Meter Socket Jumper ECJS

Lug Kit Wire Range Torque

ECLKG2 2/0-#14 50 Lb-Ins.

Short Circuit Current Rating (Watt-hour Meter not included in short circuit rating)

This panelboard has a maximum short circuit current rating of 22,000 Amps RMS symmetrical, 120/240 V~. The actual rating is equal to the lowest interrupting rating of any installed circuit breakers. Any circuit breaker installed, replaced, or added in this panelboard must be manufactured by Siemens. This equipment has been designed for use only with Siemens Type QN, QNH, QP, QPH, QPF, QPHF, QAF, QAFH, QE, QEH, MD-T, MD-HT, MP-T, MP-HT, MP-GT, MP-HGT, MP-AT, MP-HAT, MP-ET and MP-HET circuit breakers. Use of other circuit breakers in this equipment will void the warranty.

Important: Do not allow petroleum based (hydrocarbon) sprays, chemicals, solvents or any paint to contact interior components. Petroleum based chemicals can cause degradation of electrical insulating materials.