

IF IN DOUBT ASK  
DO NOT SCALE

**FRAME TERMINAL BLOCK ASSY:-**

ASSEMBLY INSTRUCTIONS:-  
AT INDICATED POSITIONS FIT AS FOLLOWS:  
T - FIT TRIP ISOLATION CONTACT  
S - FIT STANDARD CONTACT  
SECURE CONTACTS USING FIXING SCREW  
POSITIONS SHOWN BLANK ARE UNUSED

2	T	T	1
4	T	T	3
6	T	T	5
8	T	T	7
10	T	T	9
12	T	T	11
14	T	T	13
16	T	T	15
18	T	T	17
20	T	T	19
22			21
24	S		23
26	T	T	25
28	S	S	27

VIEW FROM NUMBERED SIDE OF BLOCK  
(INSIDE THE CASE)

**OUTER TERMINAL BLOCK ASSY:-**

ASSEMBLY INSTRUCTIONS:-  
TYPICAL OUTER BLOCK ASSY DWG  
AT INDICATED POSITIONS FIT AS FOLLOWS:  
S - FIT STANDARD OUTER CONTACT  
POSITIONS SHOWN BLANK ARE UNUSED  
ALL POSITIONS FIT SCREW .

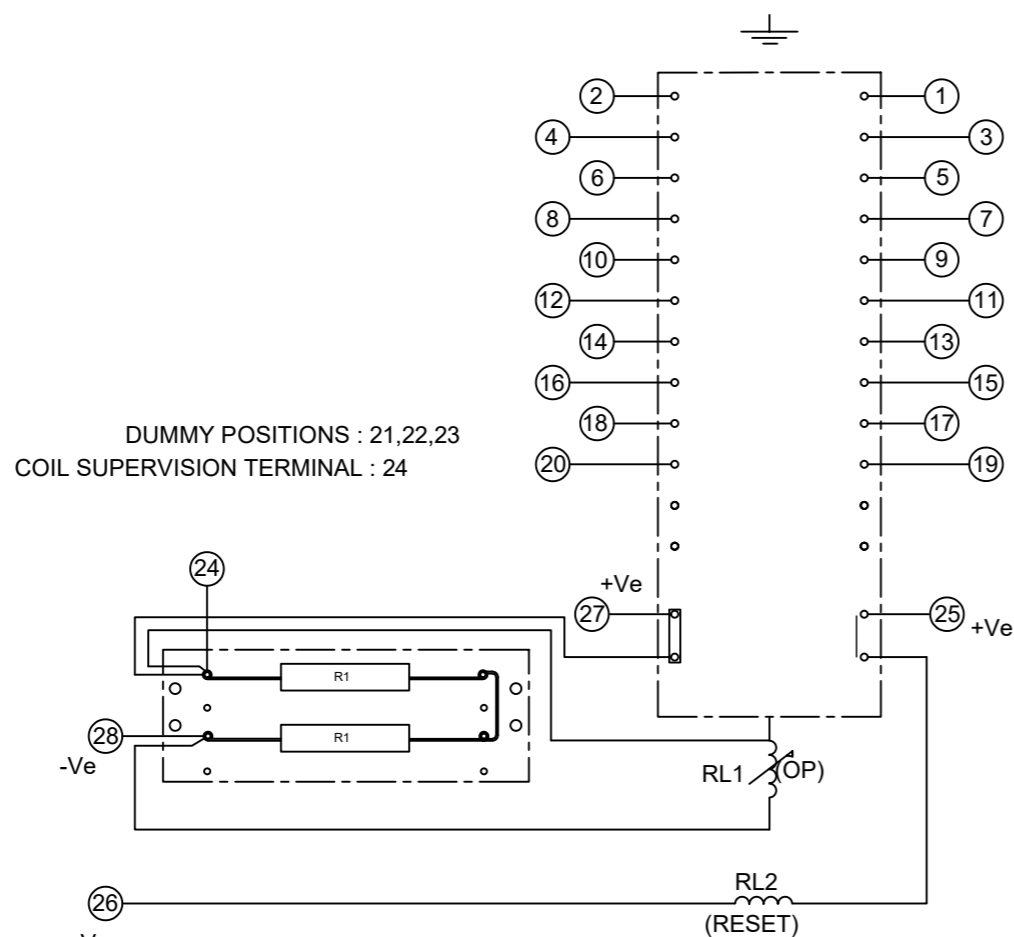
2	S	S	1
4	S	S	3
6	S	S	5
8	S	S	7
10	S	S	9
12	S	S	11
14	S	S	13
16	S	S	15
18	S	S	17
20	S	S	19
22			21
24	S		23
26	S	S	25
28	S	S	27

VIEW FROM NUMBERED SIDE OF BLOCK  
(REAR SIDE OF THE DEVICE)

MATERIAL: MATERIAL.

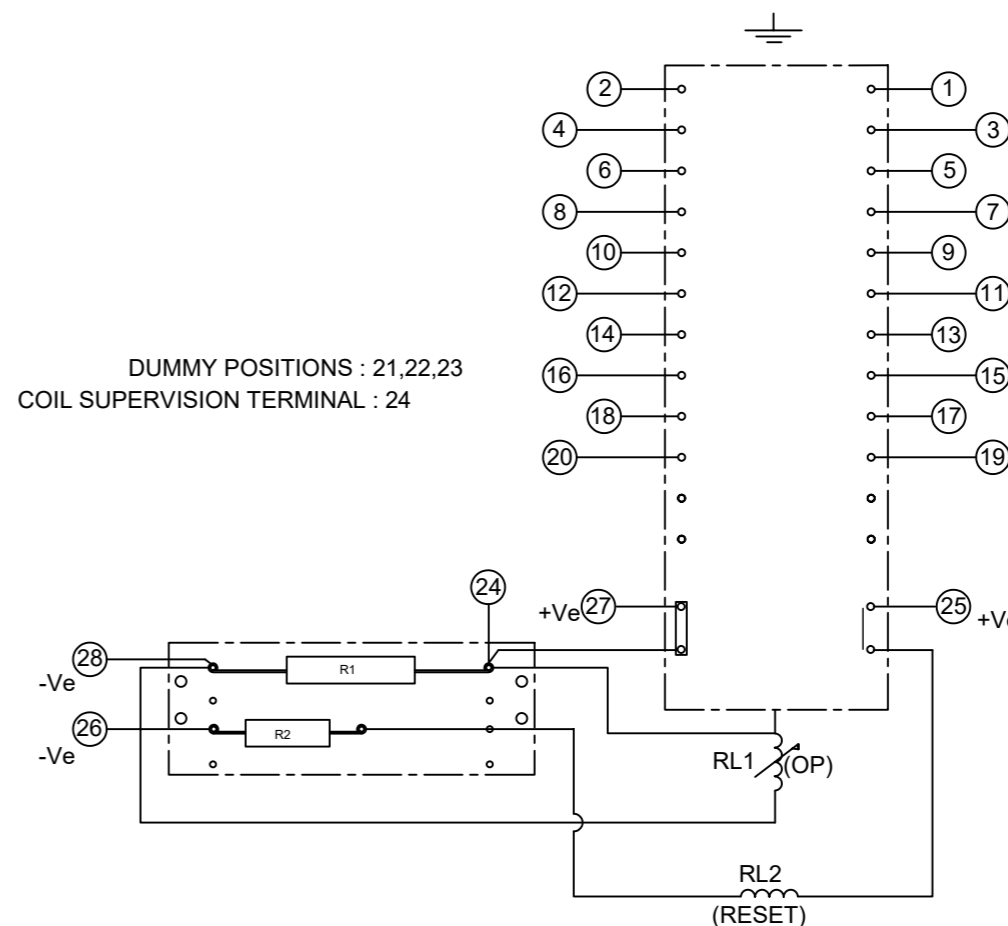
Dimensions in millimetres : Surface texture in micrometres.  
Machine where marked ✓  
For explanation of dimensions, tolerances, notes etc. see B.S.308.  
Limit on untoleranced unmachined dimensions ± \_\_\_\_\_  
Limits on untoleranced machined dimensions to B.S.4500;  
i.e. up to 6±0.1; over 30 to 120±0.3; over 315±0.8;  
over 6 to 30±0.2; over 120 to 315±0.5;  
General unmachined angular tolerance ± \_\_\_\_\_

Earthing Connected through panel chassis



DC 125V VARIANT

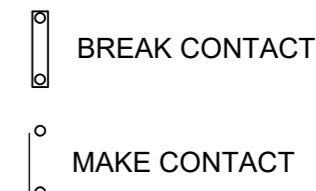
Earthing Connected through panel chassis



DC 240V VARIANT

Trip Coil Supply	+Ve	27
	-Ve	28
Reset Coil Supply	+Ve	25
	-Ve	26
Coil Supervision		24
<b>CONTACT CONFIG.                      OUTPUT CONTACT PAIR/TERMINAL NO.</b>		
		1-3   2-4   5-7   6-8   9-11   10-12   13-15   14-16   17-19   21-23
8M	2B	B   B   M   M   M   M   M   M   M   M   M
6M	4B	B   B   B   B   M   M   M   M   M   M   M
4M	2B	B   B   M   M   M   M   -   -   -   -   -
5M	1B	B   -   M   M   M   M   M   -   -   -   -
6M	0B	-   -   M   M   M   M   M   M   -   -   -

	RESISTOR DETAILS		Coil Details (RL1)	Reset Coil(RL2)
	R1	R2		
125VDC	2nos 100R ±1%, 14W		106285707/C53207A 383C747 1 Coil (2112G20020) 125VDC	106045627/ C53207A 383C774 1 Solenoid 36VDC (Elec Reset Relays)
240VDC	1no 470R ±1%, 14W	1no 470R ±5%, 3W	106181961/C53207A 383C790 1 Coil (2112G20023) 240VDC	



1	16/10/2019	CHANGE
ISSUE	DATE	NOTED

Copyright © YEAR Siemens Protection Devices Ltd. Hebburn

Dimensions in millimetres : Surface texture in micrometres. Machine where marked ✓ For explanation of dimensions, tolerances, notes etc. see B.S.308. Limit on untoleranced unmachined dimensions ± _____ Limits on untoleranced machined dimensions to B.S.4500; i.e. up to 6±0.1; over 30 to 120±0.3; over 315±0.8; over 6 to 30±0.2; over 120 to 315±0.5; General unmachined angular tolerance ± _____	Finish:	Title: WIRING DIAGRAM FOR 7PJ15241 (HAND/ELECT RESET TRIP RELAY)	First used on:
	Treatment:	<b>SIEMENS LTD.</b>	Similar Articles:
		Original Scale: NTS	Supersedes:
			Drg. No. <b>2112W60001</b>
DRAWN : VC	CHECKED	APPROVED: NC	DATE 16/10/2019
IE	OPS	PCP	Purch.Spec. TQ
EAC	EAC.	CE	STD
A3			