

Heavy Duty Safety Switch with Crouse-Hinds Interlocked Receptacle and Viewing Window

Type VBII, 100 Amp, Type 12 Industrial & Type 4/4X Stainless Steel

Standards and Ratings

- UL Listed under file #E4776
- Meets UL98 for switches and UL 50 for enclosures
- Meets NEMA Standard KS-1 for enclosed switches
- Meets NEC wire bending space requirements
- * CSA certified under file #079316
- Rated 10,000 AIC with Class H fuses or 200,000 AIC with Class R, T and J fuses
- I²t rated (Amps² x Seconds = 500,000)
- 12X overload current rating exceeds 10X industry standard
- Double break visible blade design
- Highly visible ON/OFF indication
- Rugged installer friendly enclosure design
- Window permits viewing of both visible blades and indicating type fuses
- Modular design allows quick and easy replacement of parts
- Front removable lugs which can easily be converted to copper body or compression type lugs
- Defeatable dual cover interlock
- Insertion or removal of the plug is prevented by the interlock linkage while the switch is ON
- Receptacle prevents operation of the switch if an incorrect plug is inserted
- Accepts Crouse-Hinds plug #APJ10487 and NPJ10487

Features

- Quick-make and break switching action

General Information

Catalog Number	Volts ¹	Description	Shipping Weight (lbs.)
Type 12 Industrial ²			
HF363JCHW	600	3 Pole, 3 Wire, Fusible	36
HNF363JCHW	600	3 Pole, 3 Wire, Non-Fusible	35
Type 4/4X Stainless Steel			
HF363SCHW	600	3 Pole, 3 Wire, Fusible	36
HNF363SCHW	600	3 Pole, 3 Wire, Non-Fusible	35

Horsepower Ratings ^{3 4}

Catalog Number	3 Phase, 240V AC		3 Phase, 480V AC		3 Phase, 600V AC	
	Std	Max	Std	Max	Std	Max
HF363JCHW	25	60	30	75	20	20
HF363SCHW	25	60	30	75	20	20
HNF363JCHW ⁵	—	75	—	100	20	20
HNF363SCHW ⁵	—	75	—	100	20	20

¹ Also rated 250V DC.

² Also rated 3R/3S for outdoor use.

³ Dual horsepower ratings: Std - applies when non-time delay fuses are installed.

Max - applies when time-delay fuses are installed.

⁴ Horsepower ratings listed also apply to Design E motors with no derating.

⁵ Also rated 40HP on 240V AC systems..

Product Specification Sheet HD100.7

Answers for industry.

SIEMENS

Product Specification Sheet #HD100.7 (page 2 of 3)

Accessories

Catalog Number	Description
HA161234	One Normally Open and Closed Auxiliary Switches
HA261234	Two Normally Open and Closed Auxiliary Switches
HA361234	Low Voltage Auxiliary Switch
HG61234	Equipment Ground Lug Kit (Factory installed) 2
HP63	Fuse Puller (3 per kit)
HR63	Class R Fuse Clip Kit (3 fuse clips per kit)
HT63	600 Volt Class T Fuse Clip Kit (1-Pole per kit)
HLC63	Copper Lug Kit (9 lugs per kit)
SSH150	1.50" Type 12 and 4X Hub
SSH200	2.00" Type 12 and 4X Hub

Replacement Parts

Catalog Number	Description
HFB63	Fusible Line Side Replacement Base
HBB63	Fusible Load Side Replacement Base
HNB623	Non-Fusible Replacement Base
HH6123	Replacement Handle/Handle Guard (HH6123S for Type 4X)
HL63	Replacement Lugs (3 lugs per kit)
HM6123	Replacement Mechanism (HM6123S for Type 4X)
1	Replacement Door

Mechanical Lug Wire Ranges (60/75°C, Cu/Al)

Description	Wire Range
Line, Load, Neutral	#14-1/0 AWG (Cu/Al)
Ground 2	#14-4 AWG

Compression Lugs

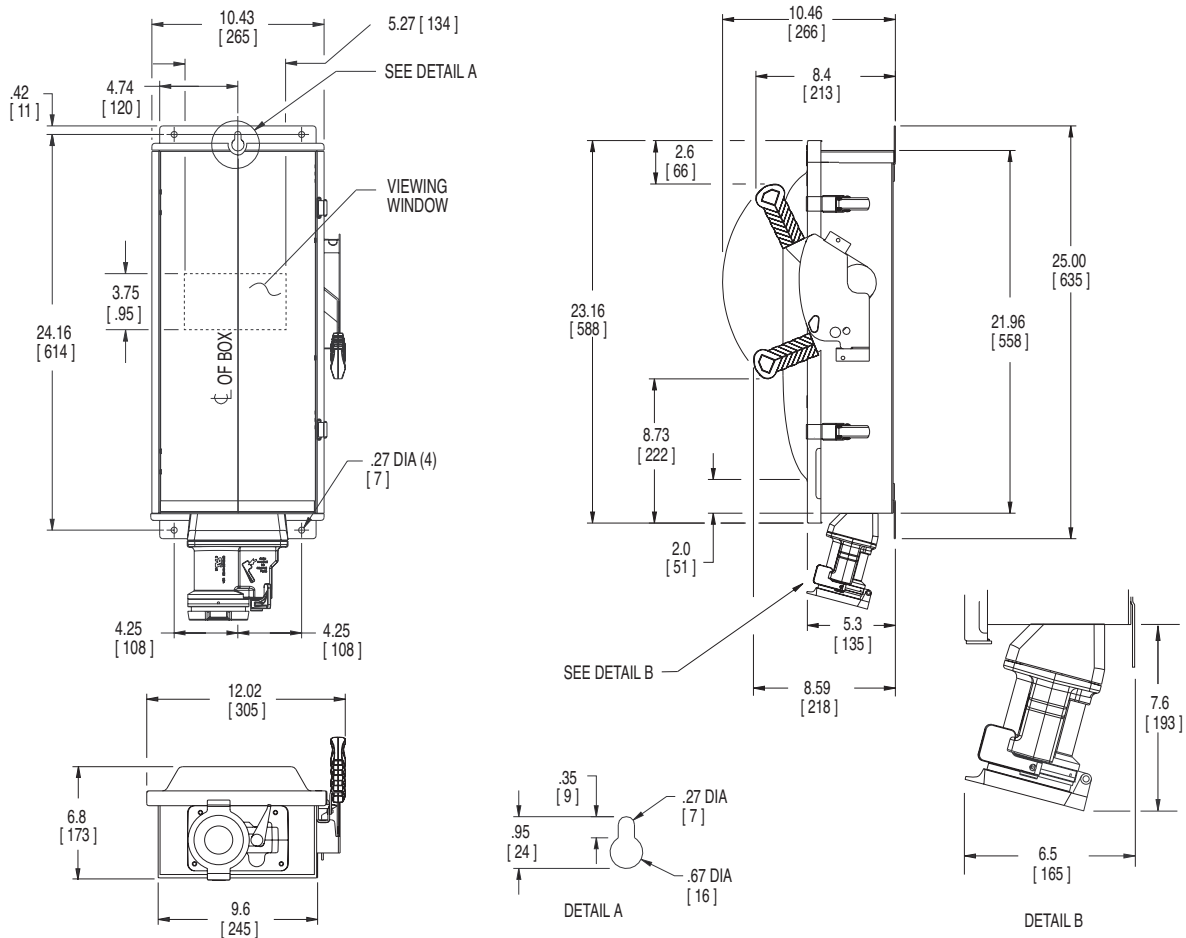
Wire Size	Burndy		Thomas-Betts		Ilsco	
	CU Only	CU/AL	CU Only	CU/AL	CU Only	CU/AL
#6	YA6C-L BOX	YA6CA1	54105	61107	CRB-6	ACL-6
	YA6C		54905BE	60107	CRB-6L	
#4	YA4C-L BOX	YA4CA1	54106	61112	CRB-4	ACL-4
	YA4C		54906BE	60112	CRB-4L	
#2	YA2C-L2 BOX	YA2CA5	54107	61116	CRB-2	ACL-2
	YA2C				CRB-2L	
#1	YA1C-L2		54108	61122	CRB-1-14	
	YA1C		54947BE		CRA-1L	
1/0				61130		

1 Place "Door" at the end of the switch catalog number.

2 Load side of ground kit is wired to the 3 phase, 4 wire grounded type receptacle.

Product Specification Sheet #HD100.7 (page 3 of 3)

Dimension Drawing



No knockouts in the enclosure.
 Dimensions shown in inches and millimeters ().
 Dimension shown accurate to $\pm \frac{1}{8}$ inch.

	LINE SIDE	WIRE BEND
600V Fuse	6.07 (154)	
Non-Fused	6.07 (154)	

Type 12 Enclosure: Galvanized Steel
 .054 Thick (17 Gauge)
 Finish: ANSI Grey #61 Paint
 Type 4X Enclosure: 304 Stainless Steel
 .055 Thick (17 Gauge)