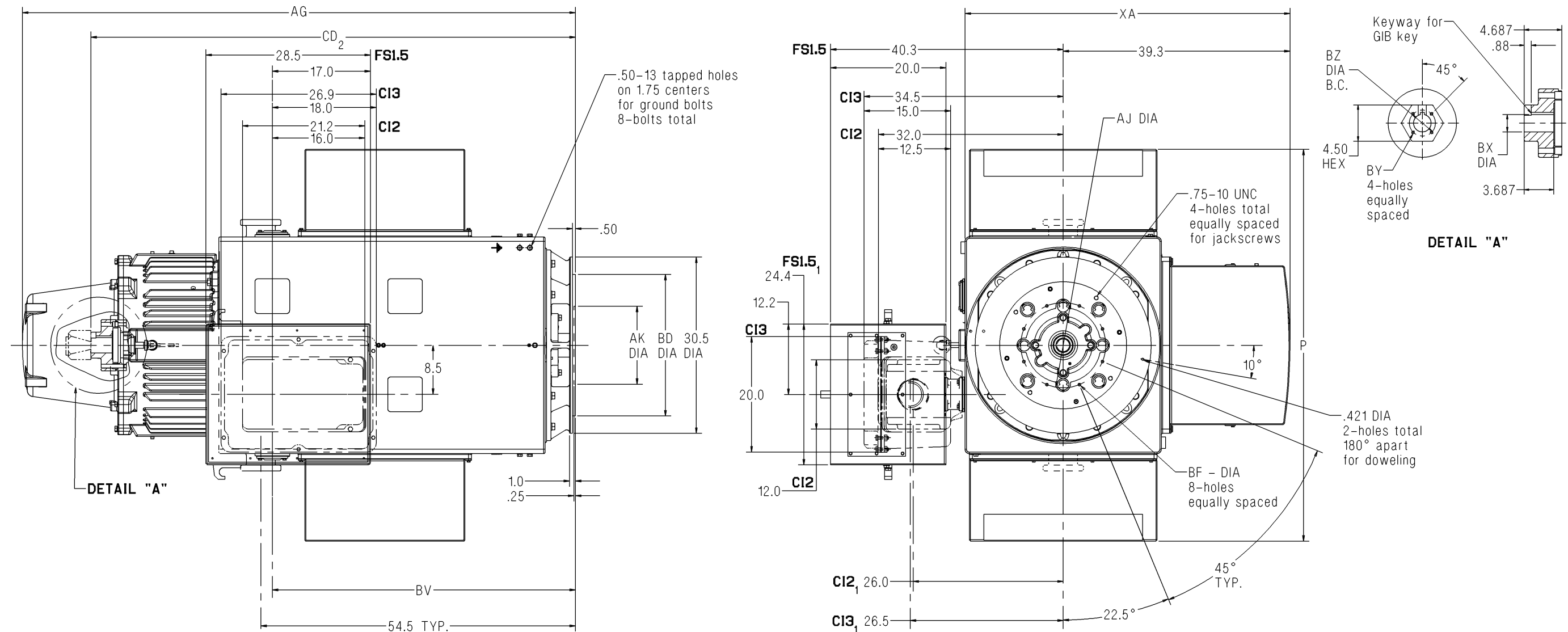


SIEMENS

Dimension Prints for Above NEMA Motors

Type CGHS – Vertical Hollow Shaft – Open Drip Proof / Weather Protected Type I
 P Flange – Anti-Friction Bearing
 Frame 580 – 4 Pole – Rotatable Main Conduit Box



- Notes:**
- Main conduit box may be rotated in steps of 90°. A removable bottom plate is supplied on the FS1.5 conduit box. A 5.0 N.P.T. is supplied on the CI2 and CI3 conduit boxes. A 3.0" spacer is supplied on the 580 frame for the FS1.5 conduit box.
 - CD dimension is a maximum value. Actual dimension will vary with bearing selection. Consult factory for specific dimension.
 - Machines may rotate in either direction, except when non-reverse ratchet is specified.
 - Adding a rotating labyrinth seal to the drive end does not change any dimensions.
 - Pump shaft adjusting nut and locking screws are not supplied with machine.

Standard Dimensions in Inches

Frame	AG	CD ₂	BV	P	XA	Standard				Alternate				Approx. Ship Wt. (Lbs)
						BD	AJ	AK	BF	BD	AJ	AK	BF	
580	98.0	92.3	52.5	67.9	56.3	30.5	26.0	22.0	0.812	24.5	14.75	13.5	0.812	9200

Standard Bore Sizes			
BX	BY	BZ	Key
1.688	.25-20	2.5	0.375
1.938	.25-20	2.5	0.5
2.188	.375-16	3.25	0.5
2.438	.375-16	3.75	0.625
2.501	.375-16	3.75	0.625
2.688	.375-16	3.75	0.625

Certification: Customer _____ P.O. _____ S.O. _____ Item _____
 HP _____ RPM _____ Frame _____ PH/HZ/Volts 3/_____/_____
 By _____ Date _____ Terminal Box Size CI2 CI3 FS1.5
 Comments _____
 Not for construction, installation or application purposes unless certified.

CGHS_580_4PL_AF_ROT
 Revision 01
 02/06/09