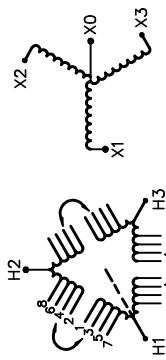



- IMPEDANCE SHOWN IS CALCULATED VALUE
- TESTED IMPEDANCE WILL BE SHOWN ON TRANSFORMER NAMEPLATE

SIEMENS

| | | | |
|-----------------------------------------------------------------------------------------------------------------------------------------------------------------------------------------------------------------------------------------------------------------------------------------------------|--|-------------------------------------------------------------------------------------------------------------------------------------------------------------------------------------------------------------------------------------------------------------------------|--|
| CATALOG NO. 3F3Y750K13D16 SERIAL NO. SERIES H 750 kVA 60 Hz 3 PHASE 4.6 % IMP AT 170 °C | |  <p>VOLTS 504 492 480 468 456 444 432</p> <p>CONNECT 1-2 2-3 3-4 4-5 5-6 6-7 7-8</p> | |
| 150 °C RISE 30 °C AVG. AMBIENT 220 °C TEMP CLASS 40 °C MAX. AMBIENT PRIMARY (H1 H2 H3) 480 V 10 kV BIL SECONDARY(X0 X1 X2 X3) 208Y/120 V 10 kV BIL WINDING MATERIAL AL ENCLOSURE TYPE 3R WEIGHT 5400LBS ENERGY EFFICIENCY EXCEEDS CSA D0E 10 CFR PART 431:2016 C802.2-2012 | |  <p>TYPE K</p> <p>SEISMIC QUALIFICATIONS, FLOOR MOUNT ONLY OSP-0136-10 IBC 2012/ASCE 7-10 SDS<=2.0g Z/h=1 Ip=1.5</p> | |
| SPACINGS BETWEEN ANY VENTILATED ENCLOSURE PANEL AND ANY ADJACENT WALL SHALL BE A MINIMUM OF 12 INCHES ELECTROSTATIC SHIELD | | SUITABLE FOR NONSINUSOIDAL CURRENT LOAD WITH K-FACTOR NOT TO EXCEED K-13 SUITABLE FOR INDOOR OR OUTDOOR LOCATIONS BEFORE HANDLING, INSTALLING AND OPERATING, SEE INSTRUCTION MANUAL NEMA Class ANN Dry Type Transformer Siemens Industry, Inc. Norcross, GA des0087e | |

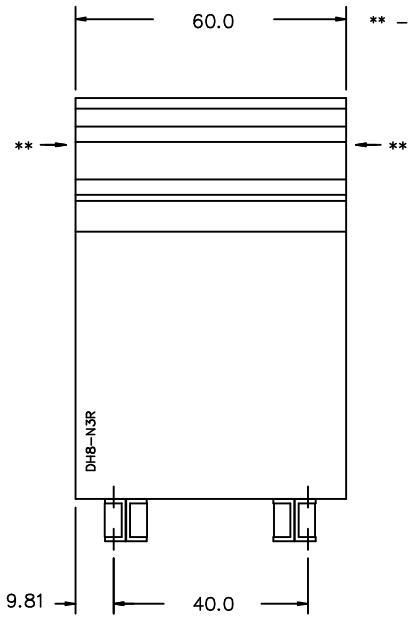


| REVISION | DATE | BY | DATE | BY |
|----------|------|---------|----------|----|
| | | DRAWN | 17/12/14 | MA |
| | | CHEK'D | | |
| | | VERIF'D | | |

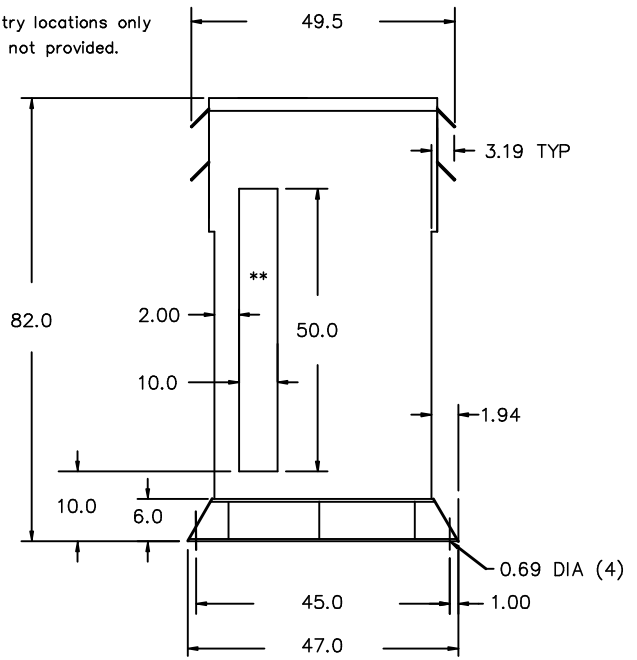
| | |
|------------------------|---------------|
| Siemens Industry, Inc. | |
| CUSTOMER | |
| ORDER NO. | DWG. NO. |
| | 3F3Y750K13D16 |
| | SH 1 OF 3 |

FRONT VIEW

SIDE VIEW



** - Recommended cable entry locations only
cutouts & gland plates not provided.



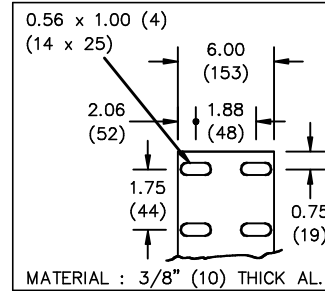
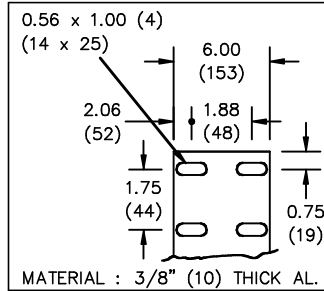
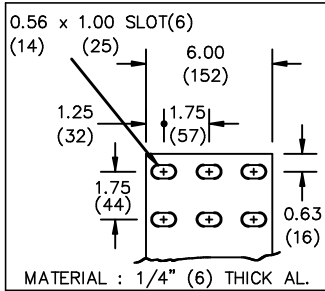
All Dimensions in inches

ENCLOSURE COLOR : ANSI 61 GREY - OUTDOOR

HV TERMINAL DETAIL

LV TERMINAL DETAIL

XO TERMINAL DETAIL



CUSTOMER NOTES:

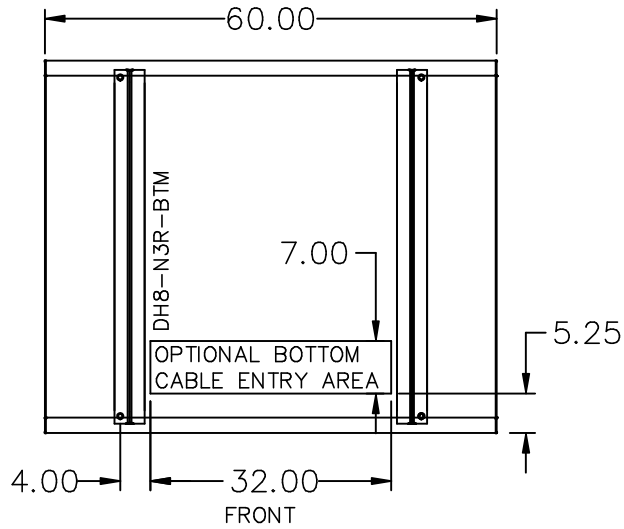
- HV TERMINATED AT TOP FRONT
- LV TERMINATED AT BOTTOM FRONT
- XO TERMINATED AT BOTTOM FRONT
- C/W 200% RATED NEUTRAL
- C/W (2) XO PADS - DISTRIBUTE CABLES EVENLY AMONG BOTH

Siemens Industry, Inc.

| REVISION | DATE | BY | DATE | BY |
|----------|------|---------|----------|----|
| | | DRAWN | 17/12/14 | MA |
| | | CHEK'D | | |
| | | VERIF'D | | |

| | |
|-----------|---------------------------|
| CUSTOMER | |
| ORDER NO. | DWG. NO. 3F3Y750K13D16 |
| SH 2 OF 3 | |

ENCLOSURE BOTTOM VIEW



NOTE:
 WHEN BOTTOM CABLE ENTRY IS OPTED, THE SPACE USED FOR CONDUITS IN THE FRONT OF THE TRANSFORMER SHOULD NOT OBSTRUCT MORE THAN 50% OF THE FRONT AIR INTAKE AREA DEFINED BETWEEN THE BOTTOM PLATE AND THE SUPPORTING LEGS.
 SEE MANUAL FOR ADDITIONAL INFORMATION

Siemens Industry, Inc.

| REVISION | DATE | BY | DATE | BY | CUSTOMER |
|----------|------|----|----------|----|-----------------------------------------------|
| | | | 17/12/14 | MA | ORDER NO. DWG. NO. 3F3Y750K13D16 SH 3 OF 3 |
| | | | | | |
| | | | | | |