

# Catalog Numbers, Features and Ratings

| Catalog Number | Max. Bus Rating | Max. Meter Socket Rating | AIC Rating Max. | Max. Branch Rating | Meter Positions | Meter Socket Cover | 5th Jaw Installed | Bypass Type |
|----------------|-----------------|--------------------------|-----------------|--------------------|-----------------|--------------------|-------------------|-------------|
| WPL4212RJ      | 400A            | 200A Cont.               | 100,000         | 225A               | 2               | Ringless           | Yes               | Lever       |

- 120/240 V~, 1 PHASE, 3 WIRE  
208Y/120 V~, 1 PHASE, 3 WIRE
- SUITABLE ONLY FOR USE AS SERVICE EQUIPMENT.
- TYPE N3R OUTDOOR ENCLOSURE  
MATERIAL/FINISH: ANSI 61 GRAY BAKED POWDER COAT PAINT  
OVER G-90 GALVANIZED, PHOSPHATIZED STEEL

# Accessories and Replacement Parts

| Description                 | Catalog No. |
|-----------------------------|-------------|
| 5th Jaw                     | S35815-2    |
| Meter Cover Plate, Ringless | ECPP3       |
| 225A Breaker Mounting       | ECMFBM2     |
| Load Cover Screws           | ECMFCS      |
| Breaker Cover Repl.         | ECBC        |
| Ground/Ntl Bar Kit          | ECMFGN125   |
| QP Breaker Retainer         | ECMBR2      |

**Hubs**

| Trade Size (in) | Catalog No. |
|-----------------|-------------|
| 2"              | EC56854     |
| 2-1/2"          | EC56855     |
| 3"              | EC56856     |
| 3-1/2"          | EC56857     |
| 4"              | EC56858     |
| Closure Plate   | EC56933S    |

Use HD Type Hubs if required

# Terminal Wire Sizes and Torques

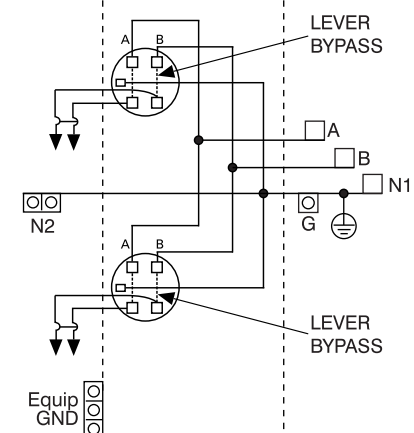
(refer to schematic)

| Terminal  | Wire Size          | Torque    |
|-----------|--------------------|-----------|
| A, B, N1  | See Chart Below    |           |
| N2, G     | 300 kcmil - #4 AWG | 275 LB-IN |
| Equip GND | #2/0 - 4 AWG       | 110 LB-IN |

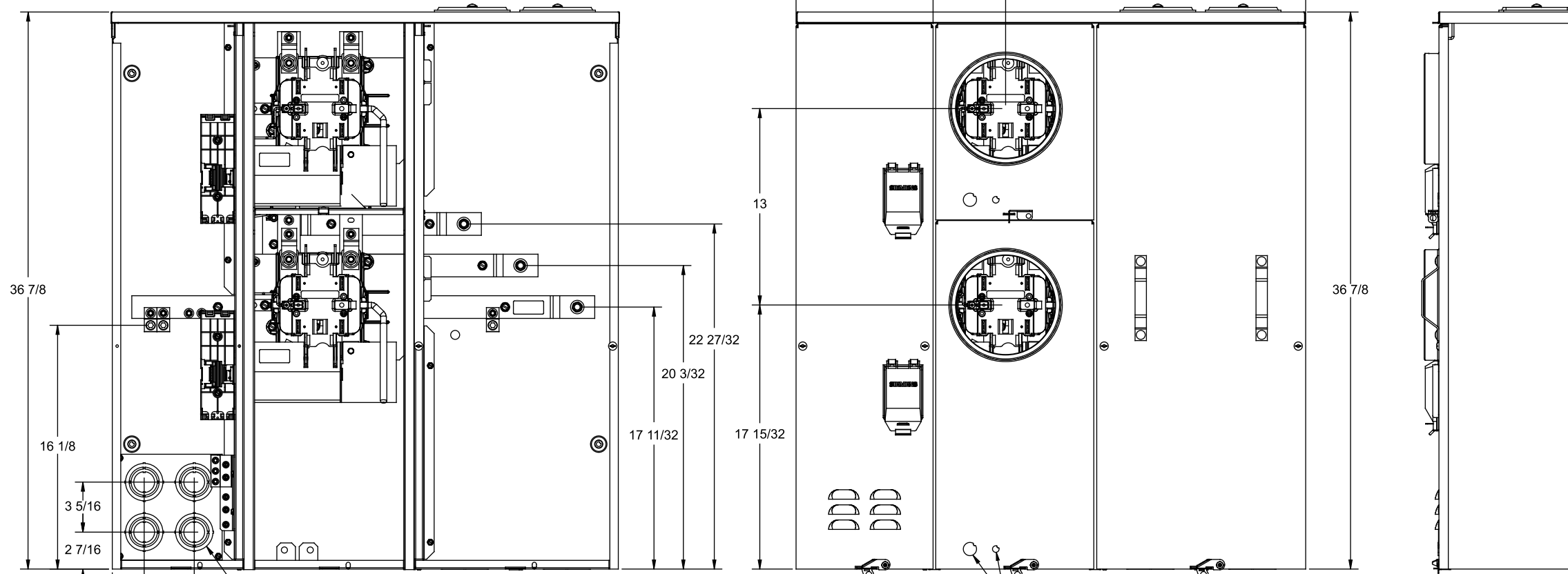
  

| Lug Kit  | Wire Size            | Torque    |
|----------|----------------------|-----------|
| H68752-1 | (3) 250 kcmil-#6 AWG | 275 LB-IN |
| H56732-2 | (2) 350 kcmil-#4 AWG | 275 LB-IN |

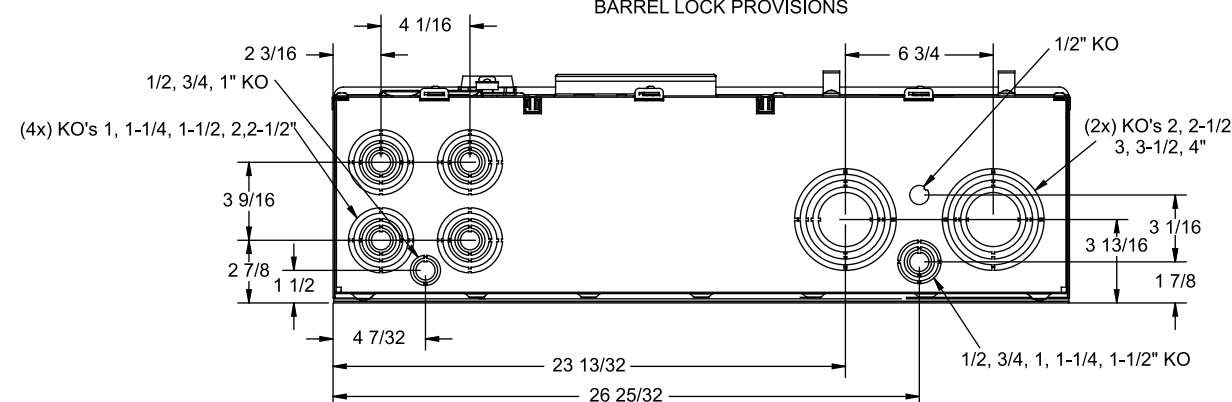
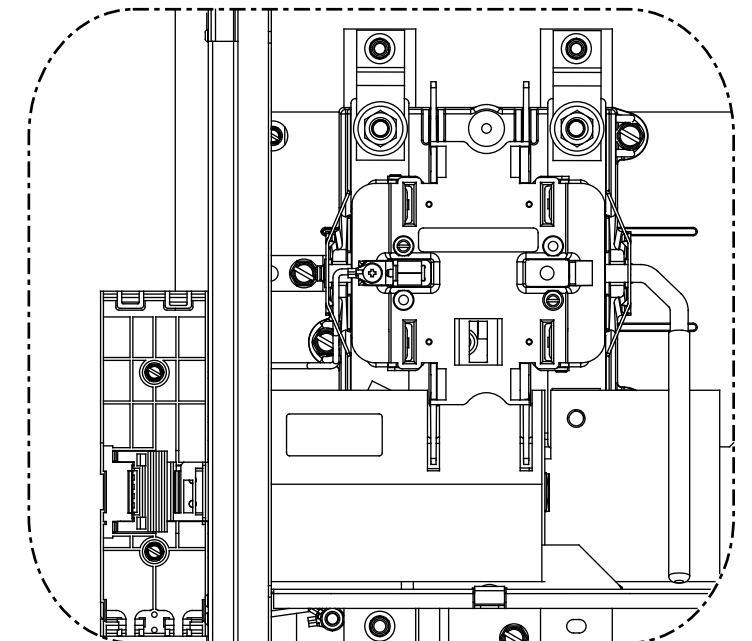
# Schematic



VIEW SHOWN WITH COVERS REMOVED



Enlarged Socket Detail



**SIEMENS**  
Siemens Industry, Inc.  
**Uni-PAK Metering**

Description: **WPL Series, Lever Bypass  
400A Bus, 2 Position, 200A Meter**