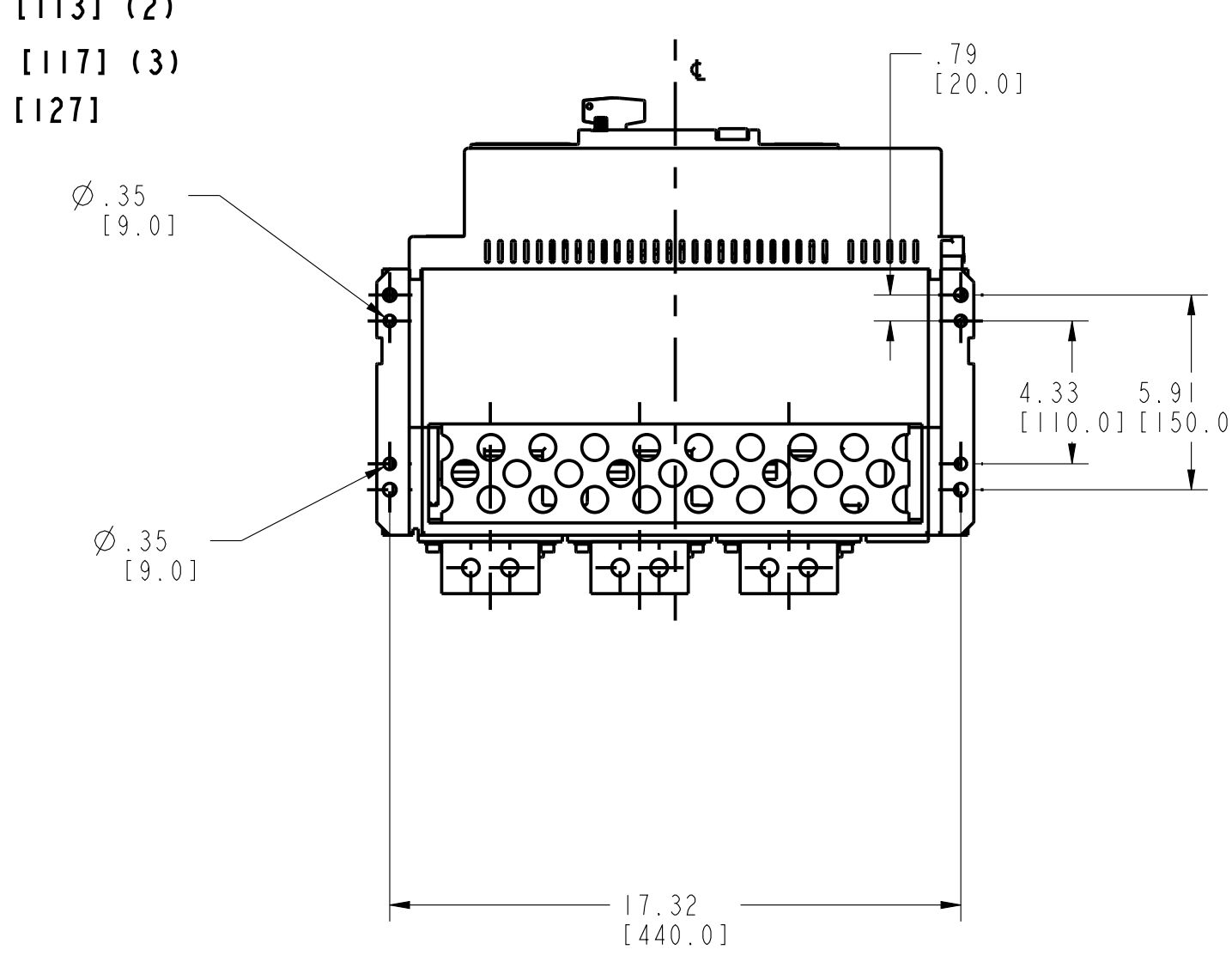
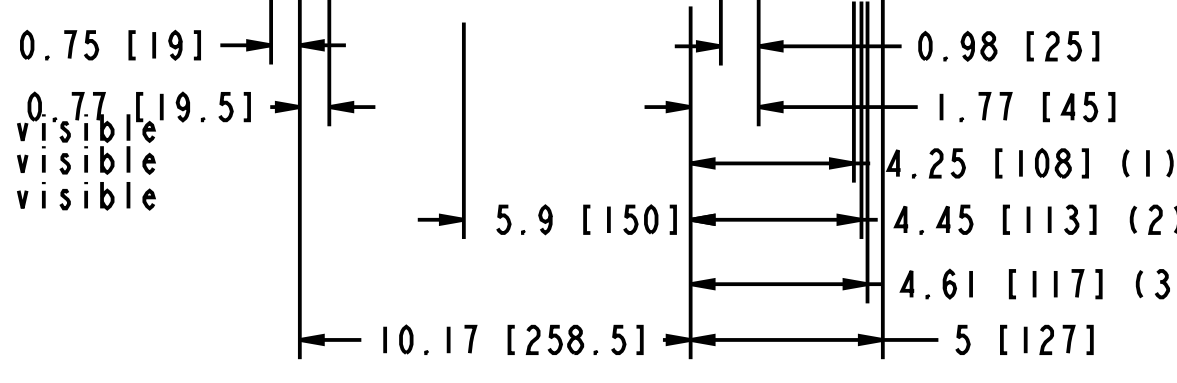
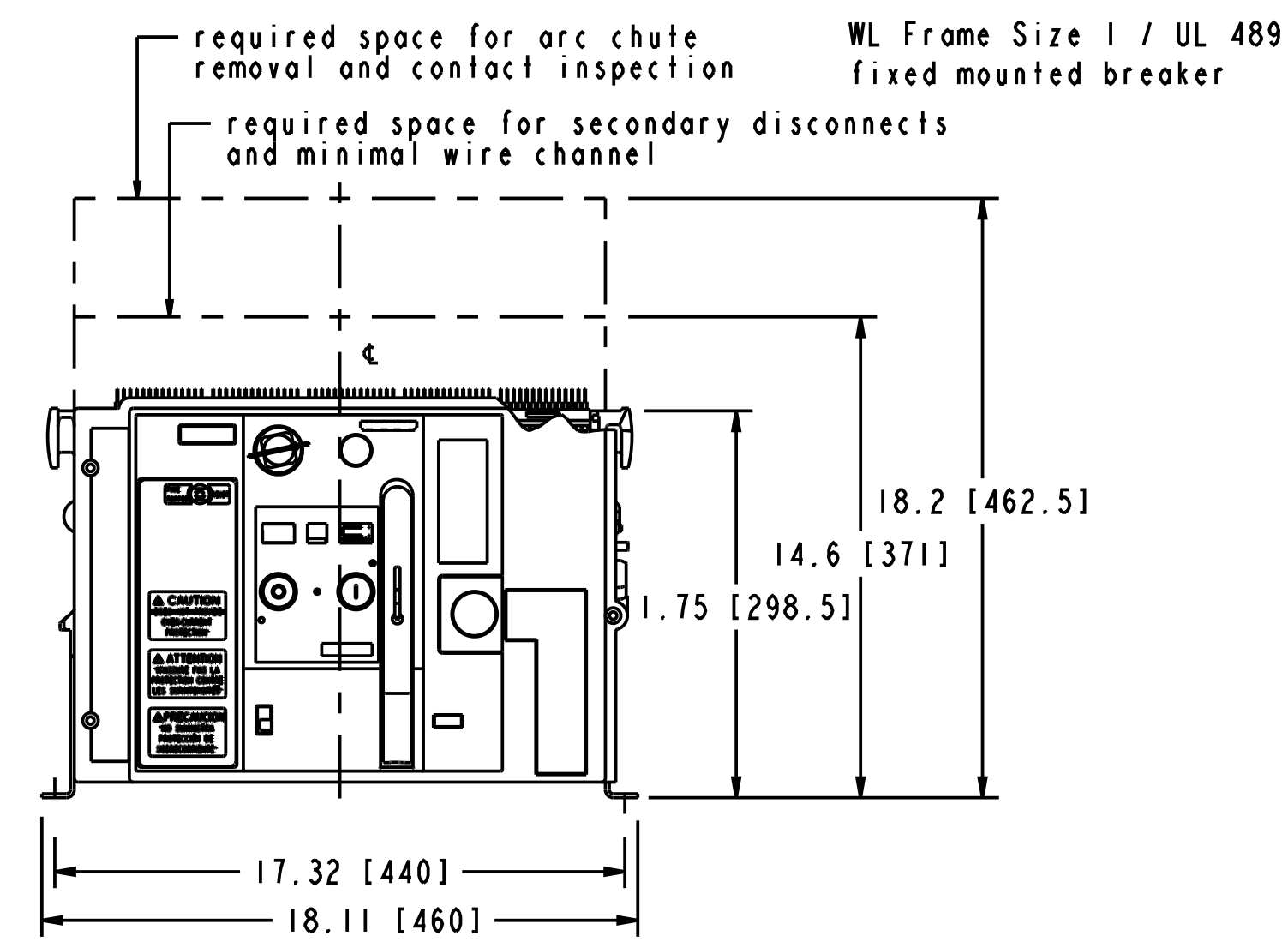
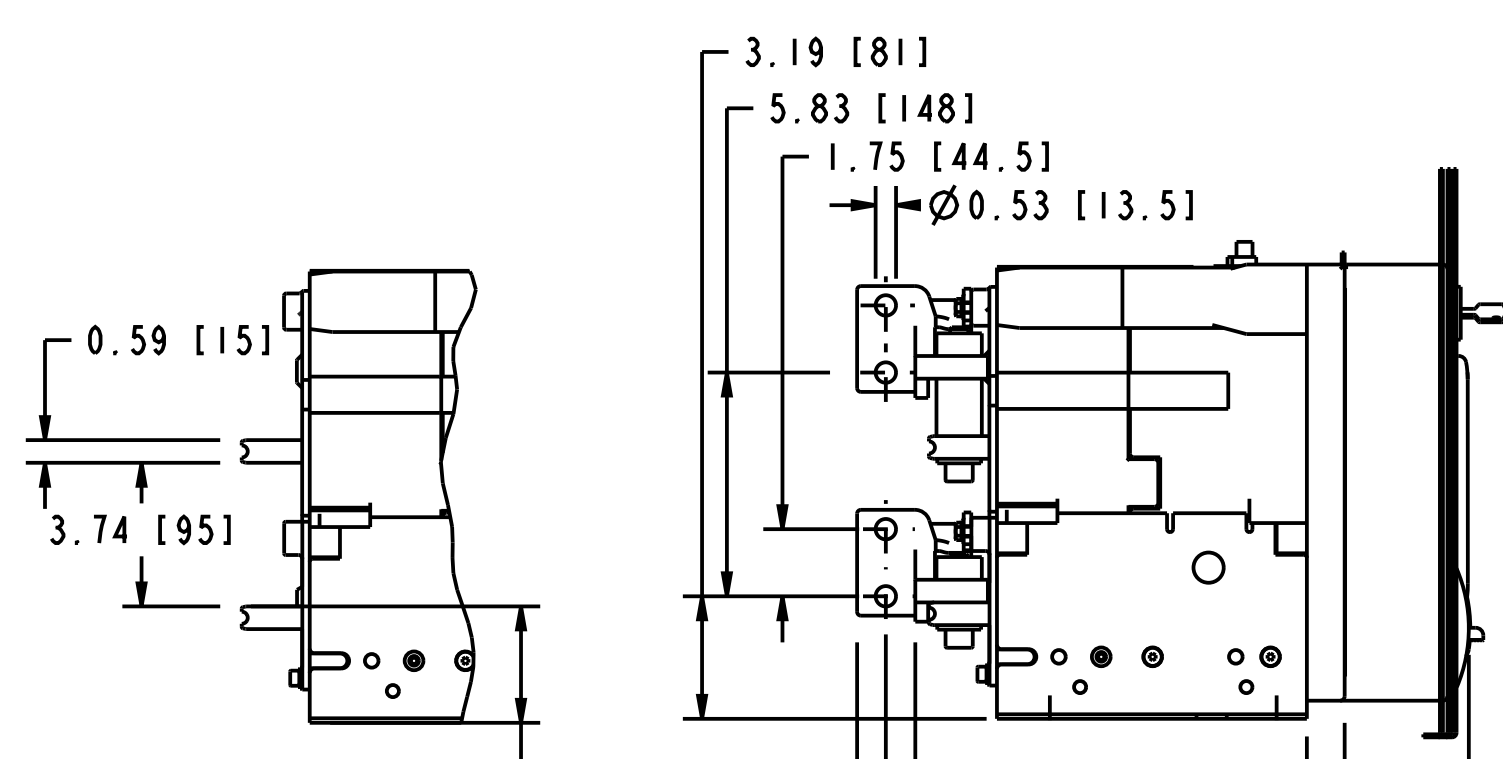
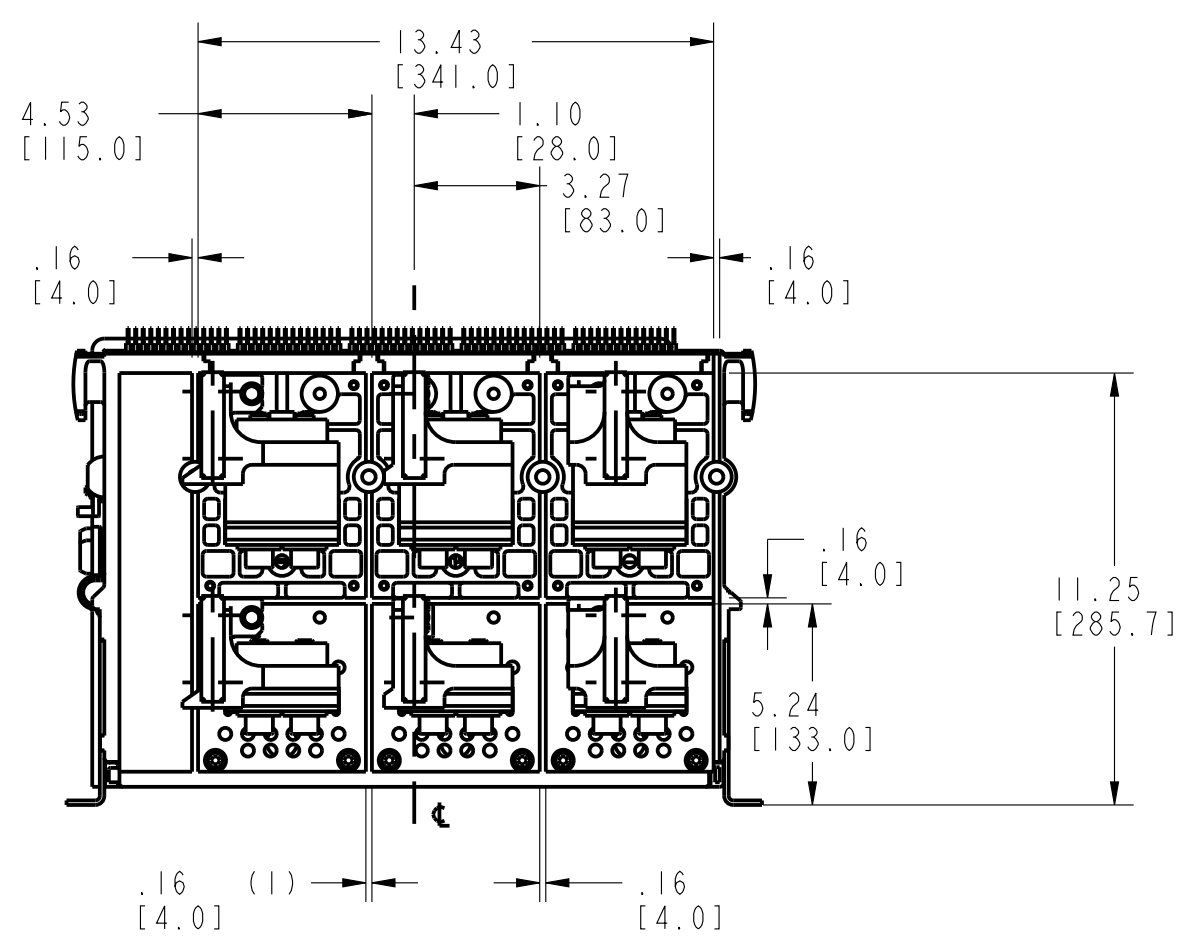
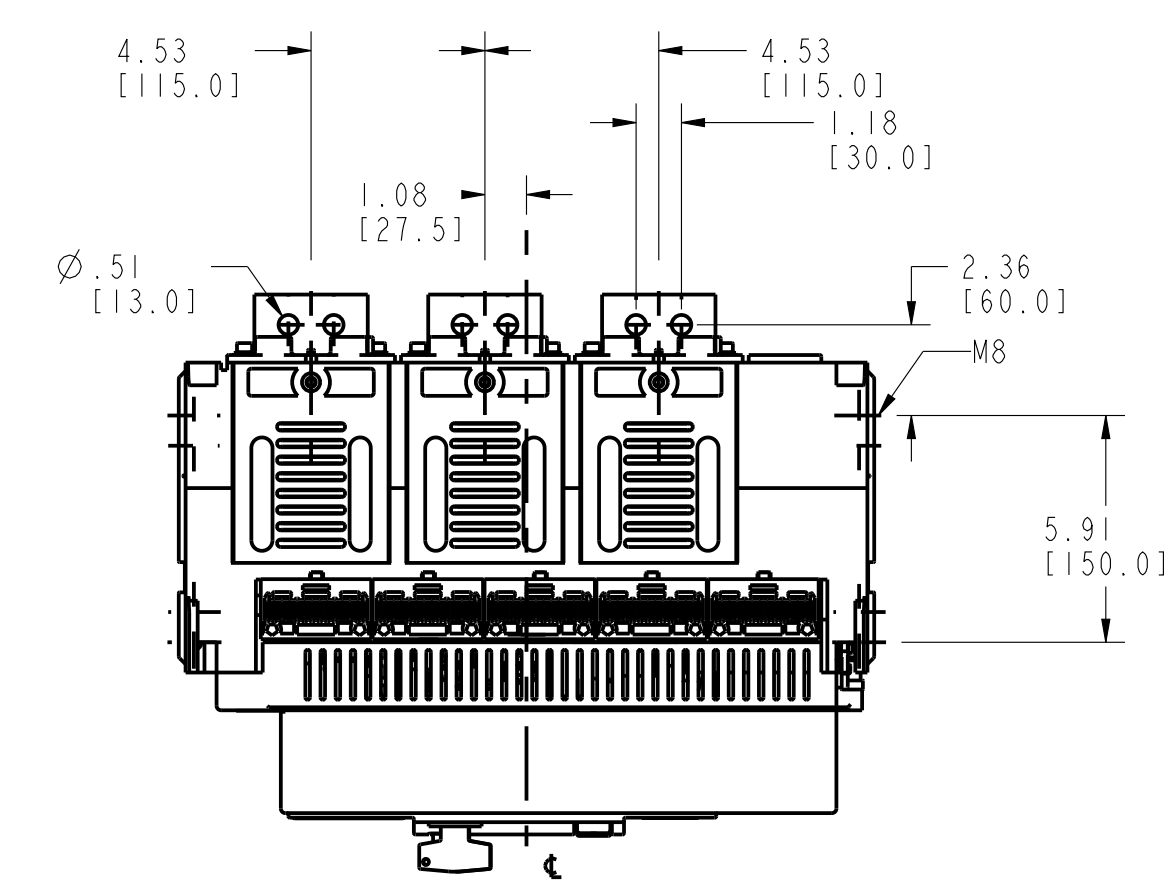
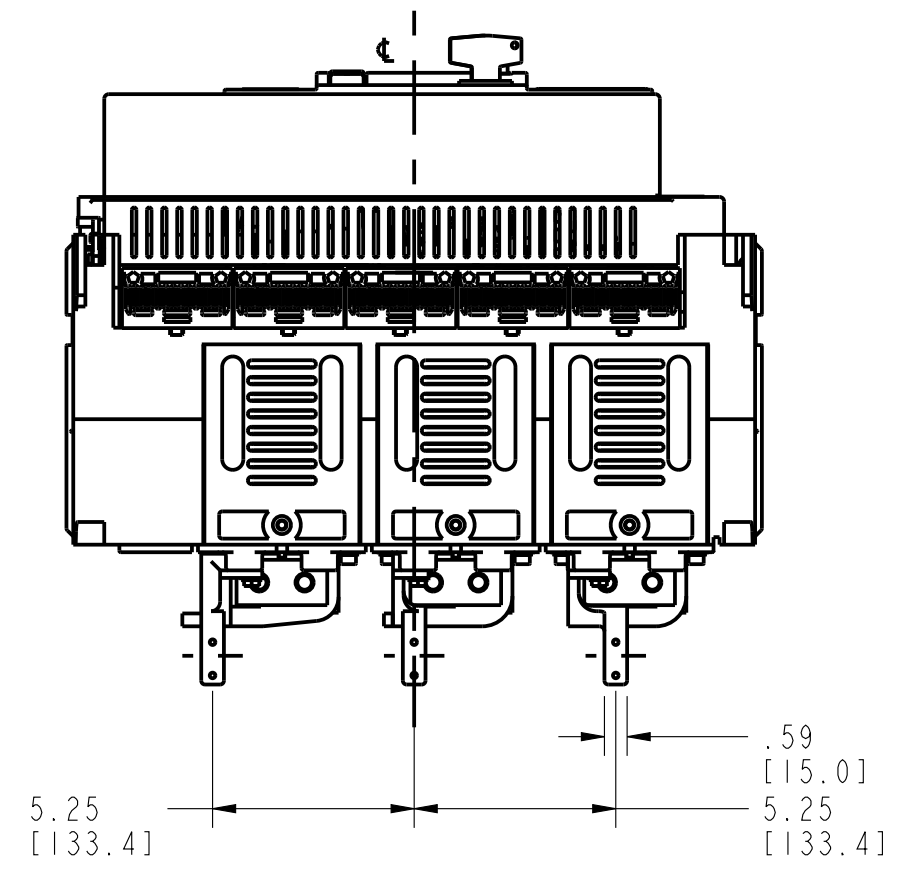


REVISIONS				
REV	ECN/MCR	DESCRIPTION	DATE CHANGED BY	APPROVED BY
OP		INITIAL PRELIMINARY RELEASE	01-22-15	M. RODR



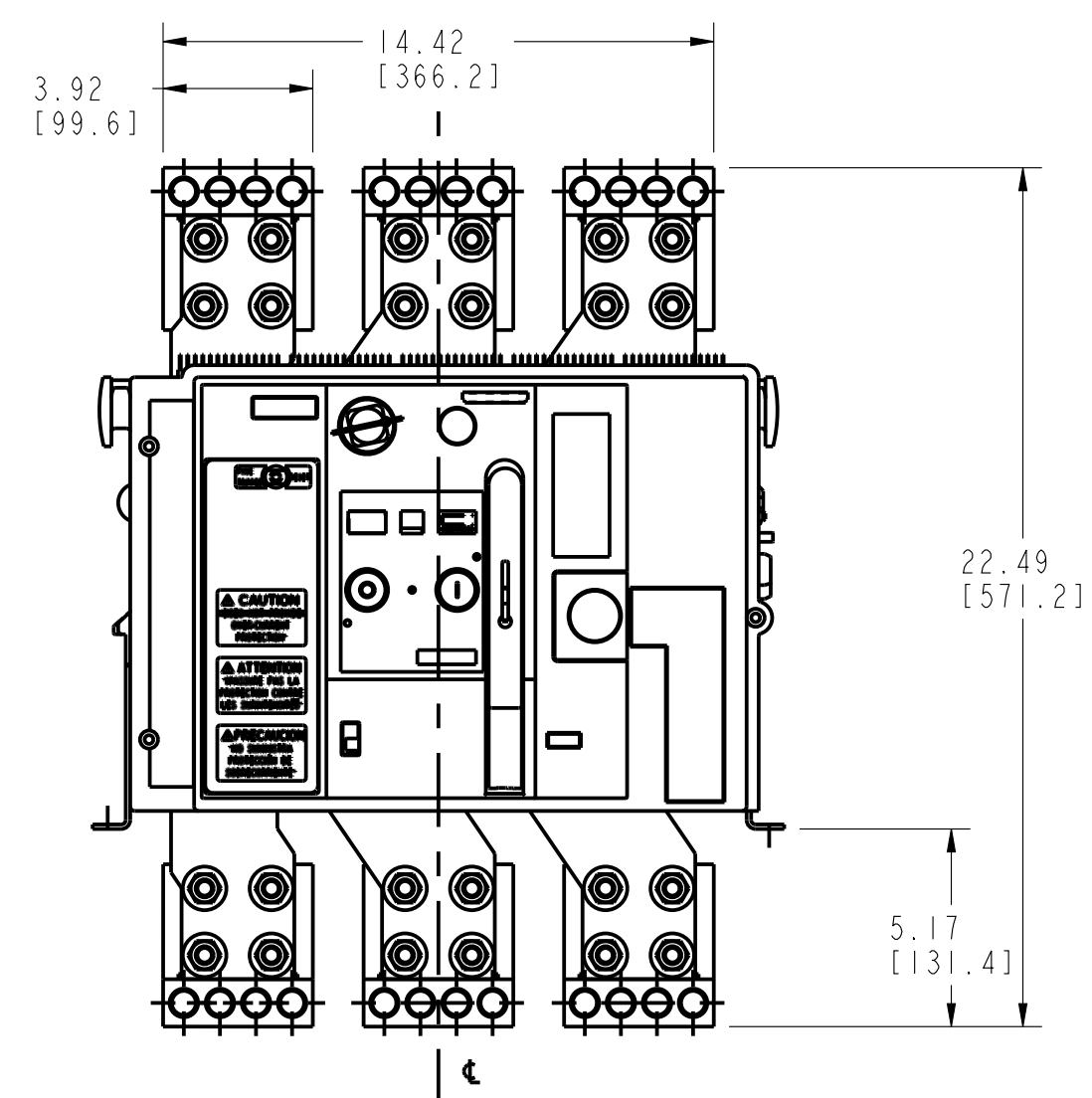
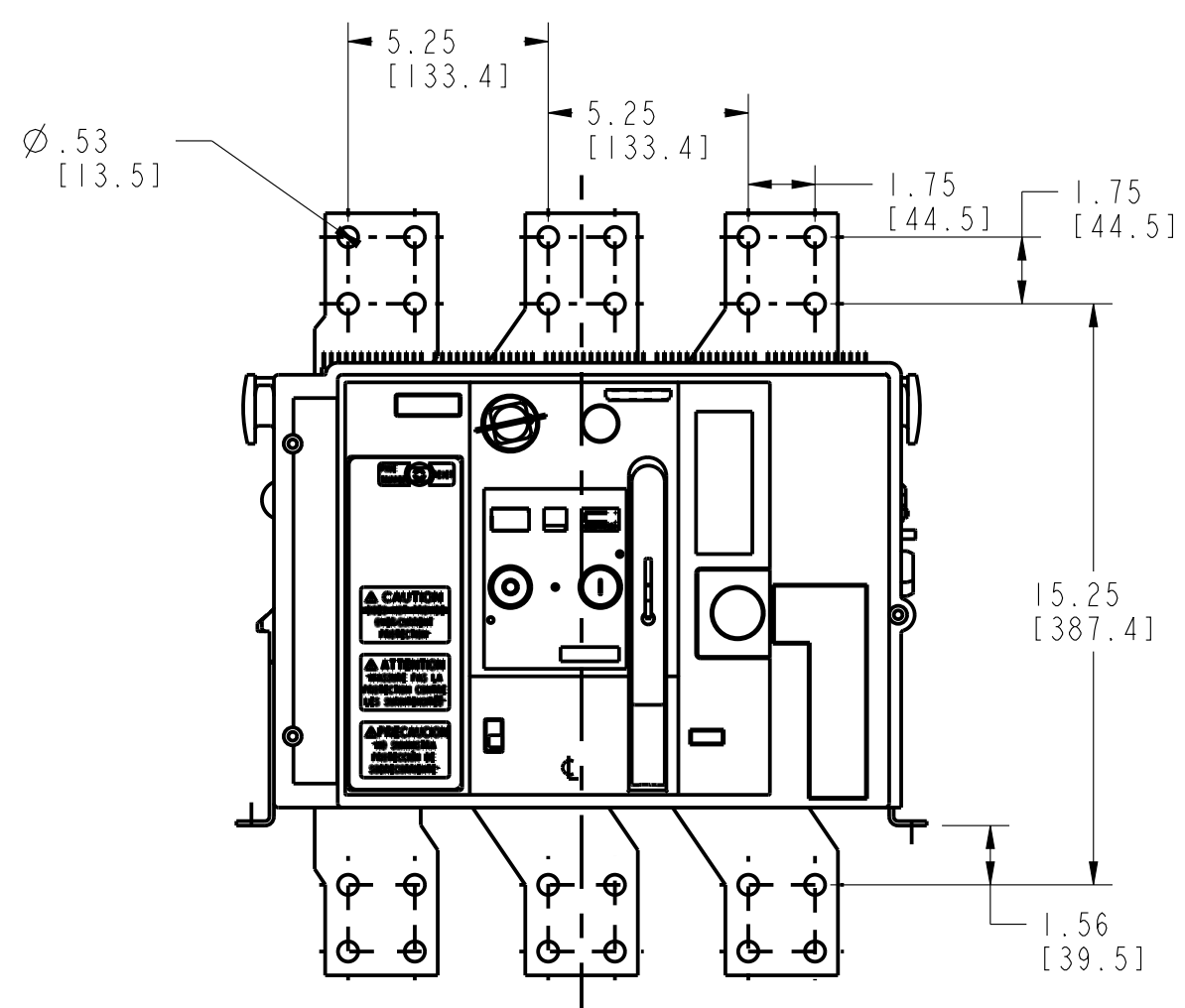
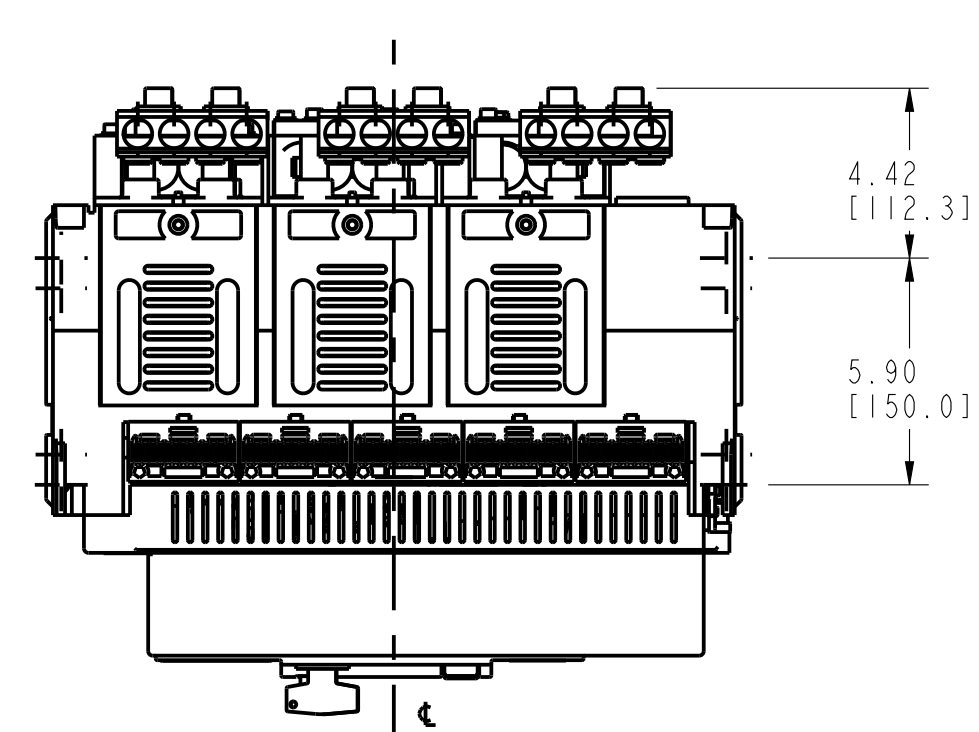
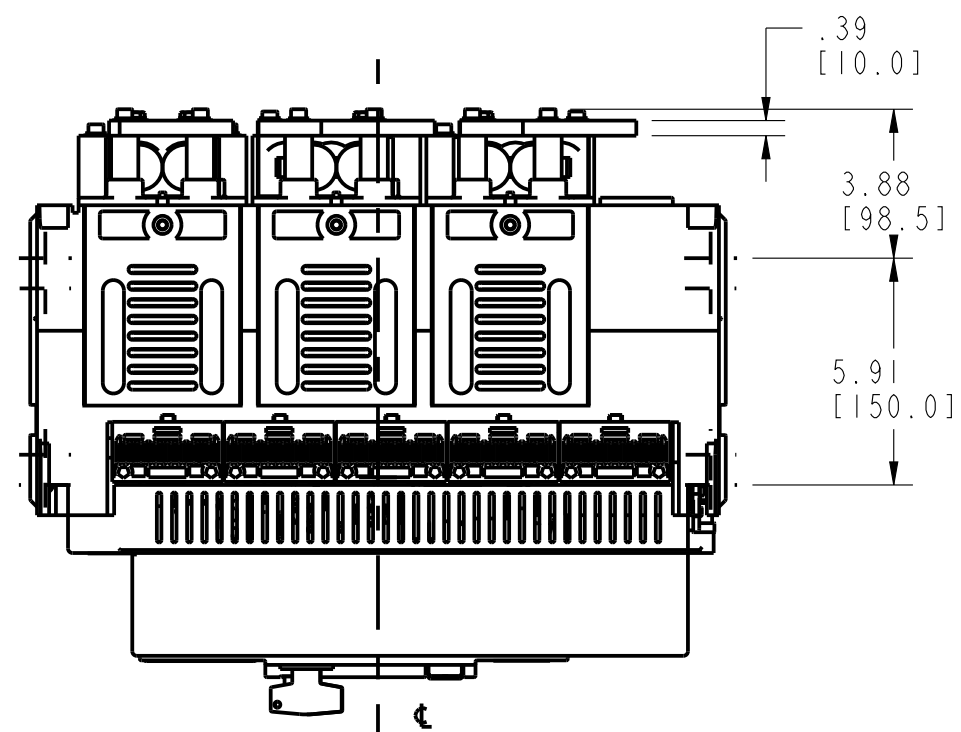
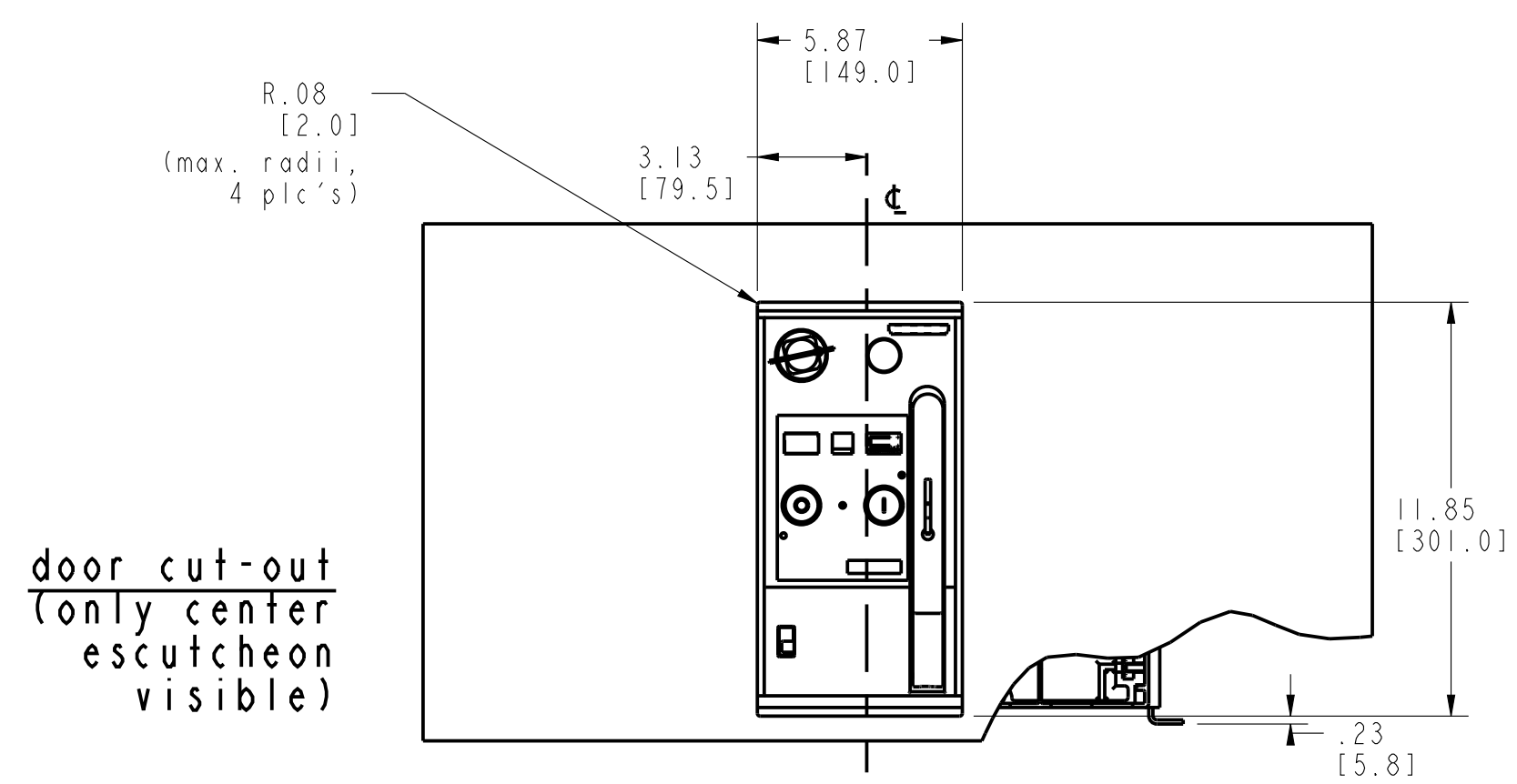
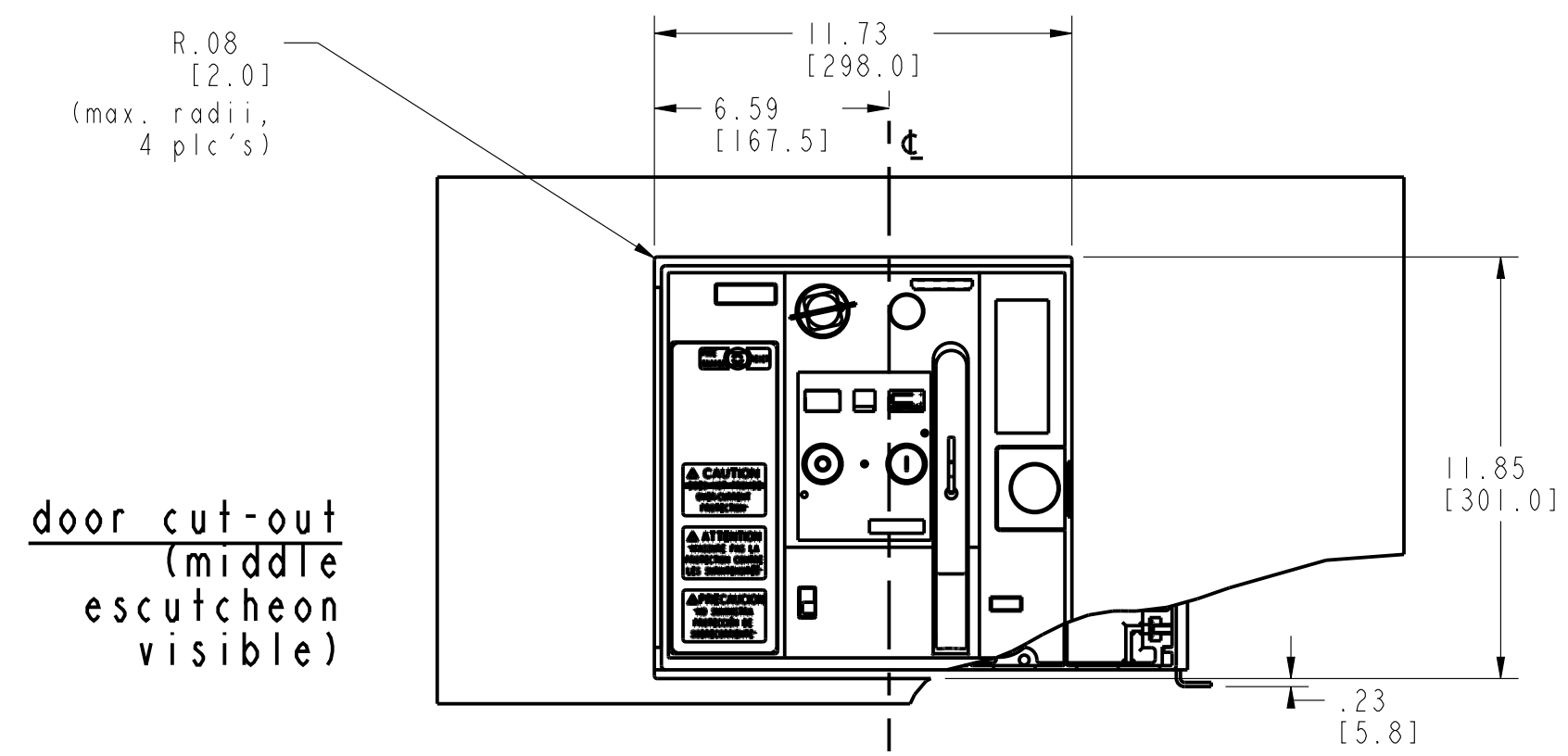
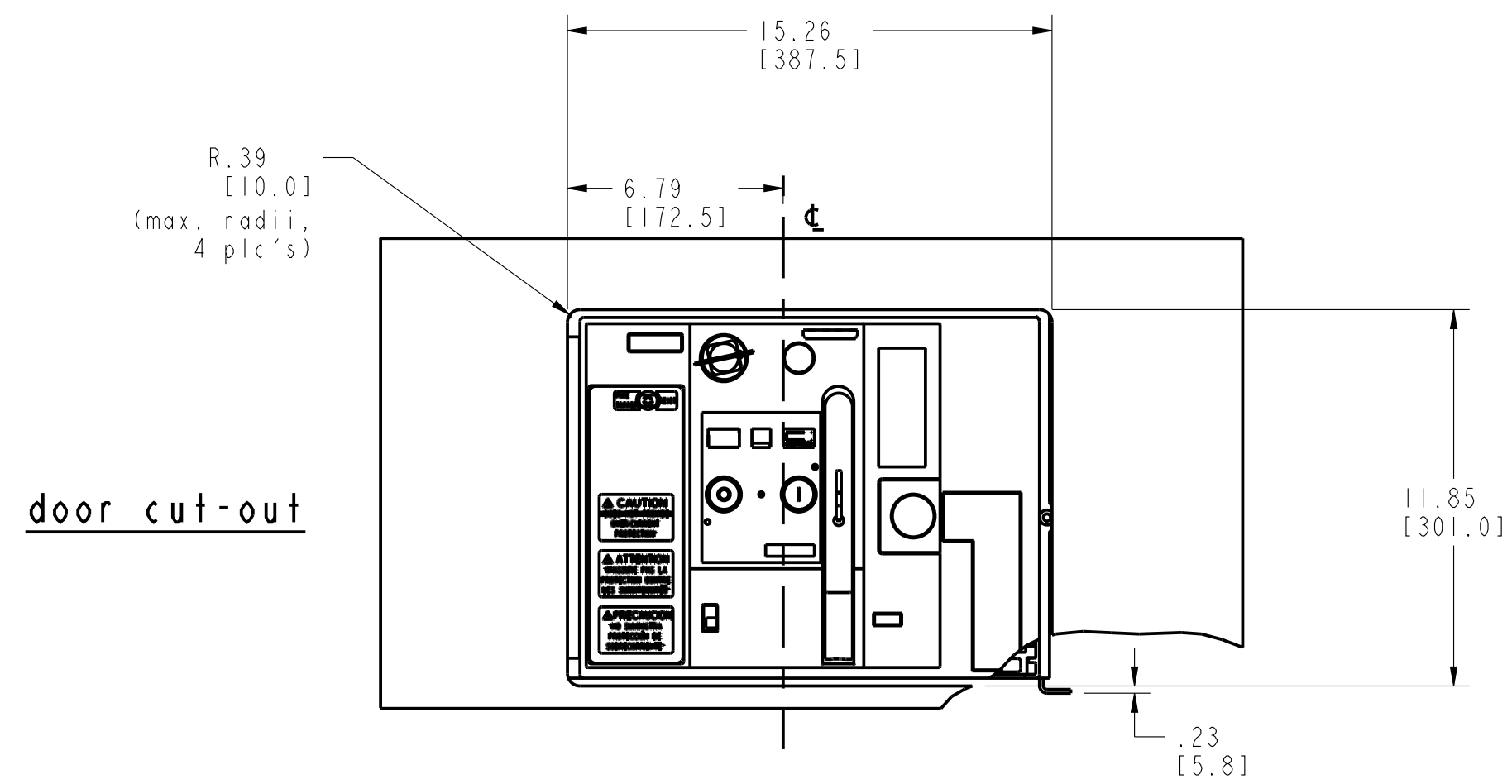
(1) = Slot for insulation barriers

door cut-outs:  
 (1) entire escutcheon visible  
 (2) middle escutcheon visible  
 (3) center escutcheon visible

required space for arc chute removal and contact inspection  
 required space for secondary disconnects and minimal wire channel  
 WL Frame Size 1 / UL 489  
 fixed mounted breaker

814596	Drawing applicable for the following frames: WLSIF308, WLSIF312, WLSIF316, WLSIF320, WLHIF308, WLHIF312, WLHIF316, WLHIF320, WLLIF308, WLLIF312, WLLIF316, WLLIF320			
PART OR IDENTIFYING NO.	MATERIAL/SPECIFICATION			
CONFIDENTIAL - PROPERTY OF Siemens Industry, Inc.				
<b>Siemens Industry, Inc.</b>				
<b>UL489 FSI Fixed-Mounted 3P</b> Class S, H, + L				
UNLESS OTHERWISE SPECIFIED DIMENSIONS ARE IN INCHES DO NOT SCALE DRAWING				
TOLERANCES: .X1 ± .01 .XXX ± .005 ANGULAR ± 1.00				
DWN M. RODR	DATE 01-22-15	SIZE D	FSCM NO.	DWG NO. 814869
CHK S. PUPPALA	DATE TBD			REV. OP
APVD K. FLOWERS	DATE TBD	SCALE 1:5	PROJ FILE 814869	SHEET 1 OF 2

REVISIONS				
REV	ECN/MCR	DESCRIPTION	DATE CHANGED BY	APPROVED BY
OP		REVISION NOTES ON FIRST PAGE		



PART OR IDENTIFYING NO.		MATERIAL/SPECIFICATION		
CONFIDENTIAL - PROPERTY OF Siemens Industry, Inc.				
UNLESS OTHERWISE SPECIFIED DIMENSIONS ARE IN INCHES DO NOT SCALE DRAWING		Siemens Industry, Inc.		
		UL489 FSI Fixed-Mounted 3P Class S, H, + L		
TOLERANCES: .X ± .01 .XXX ± .005 ANGULAR ± 1.00	THIRD ANGLE PROJ.		SIZE	FSCM NO.
DWN M. RODR	DATE 01-22-15	DATE TBD	DWG NO.	REV. OP
CHK S. PUPPALA	DATE TBD	DATE TBD	814869	
APVD K. FLOWERS	DATE TBD	SCALE 1:5	PROJ FILE 814869	SHEET 2 OF 2