

Features and Ratings

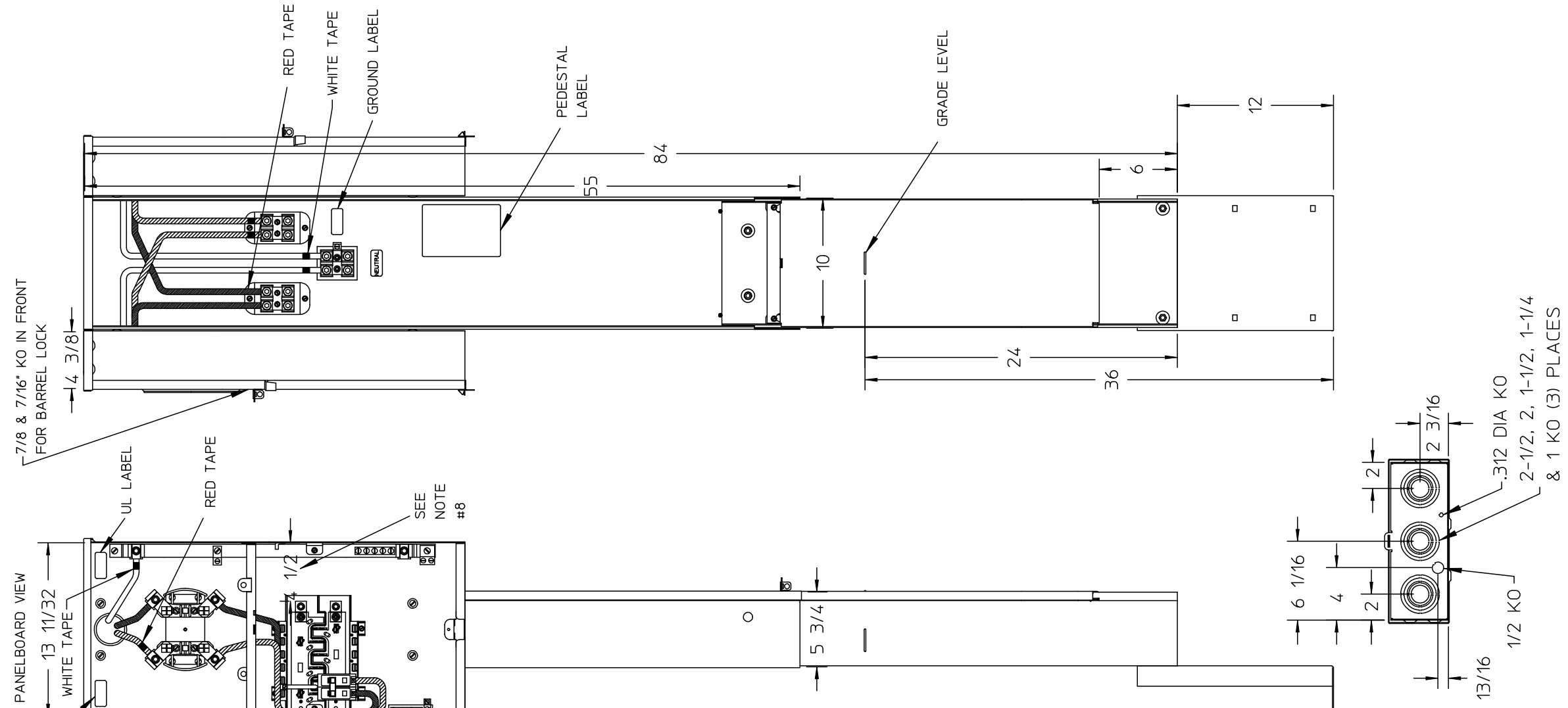
- Unit Rating: 125A Max., 120/240VAC
- Meter Socket Rating: 200A Continuous
- Ringless Type Meter Socket
- Outdoor Enclosure (NEMA Type 3R)
- Painted G90 Steel
- 1 Phase, 3 Wire
- 4 Jaw Meter Socket
- For Underground Service Only

Accessories

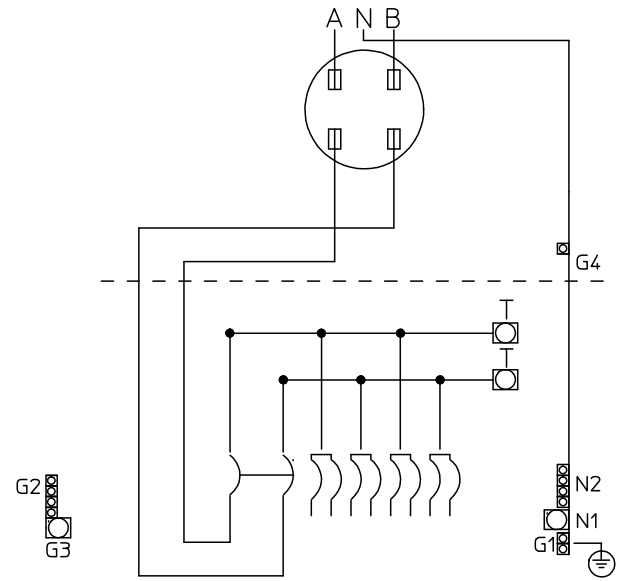
- Pad Mount Kit:
Cat No: MPFLANGE2
- Pedestal Extension:
Cat No: MPEXT2
- Filler Plate:
Cat No: ECQF3

Connectors, Wire Sizes and Torques

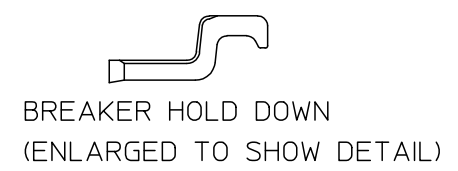
| CONNECTOR | WIRE SIZE | TORQUE |
|-----------------------|-------------------------|-------------|
| A, B, N | #6 - #1 AWG | 75 LB. IN. |
| | 1/0 - 350 KCMIL | 275 LB. IN. |
| FEED-THRU T* | 300 KCMIL-4 AWG | 275 LB. IN. |
| LARGE LOAD NEUTRAL N1 | #6 - 250 KCMIL | 275 LB. IN. |
| SMALL LOAD NEUTRAL N2 | #14 - 1/0 AWG | 50 LB. IN. |
| GROUND G1 | #14 - 1/0 AWG | 50 LB. IN. |
| EQUIP GROUND G2 | #14 - 4 AWG | 50 LB. IN. |
| EQUIP GROUND G3 | #14 - 2 AWG | 50 LB. IN. |
| GROUND G4 | #14 - 2/0 AWG | 50 LB. IN. |
| BRANCH BREAKER | SEE MARKINGS ON BREAKER | |



- NOTES:
1. PEDESTAL IS FABRICATED FROM 14 GAUGE GALVANIZED STEEL
 2. PANELBOARD ENCLOSURE IS FABRICATED FROM 16 GAUGE GALVANIZED STEEL
 3. BREAKER COMPARTMENT COVER IS HINGED AT TOP AND LOCKS INTO OPEN POSITION
 4. BARRIER BETWEEN BREAKER COMPARTMENT AND SOCKET COMPARTMENT.
 5. 120/240 VAC, 125 AMP, 1 PHASE, 3 WIRE
 6. LOAD TERMINALS ARE RATED FOR 60° C OR 75° C CONDUCTOR
 7. SIEMENS ACCEPTABLE BREAKER TYPES:15-100A "QP" (2) 2-POLE OR UP TO (4) 1-POLE)
 8. WIRE BENDING SPACE CAPABLE OF 250MCM CONDUCTORS
 9. UNIT SHIPS AS ONE PIECE



BOTTOM VIEW



© 2015 Copyright Siemens Industry, Inc.



MOBILE HOME PEDESTAL

Description:
2 SKT/BKR/PED 125A 1P MAIN