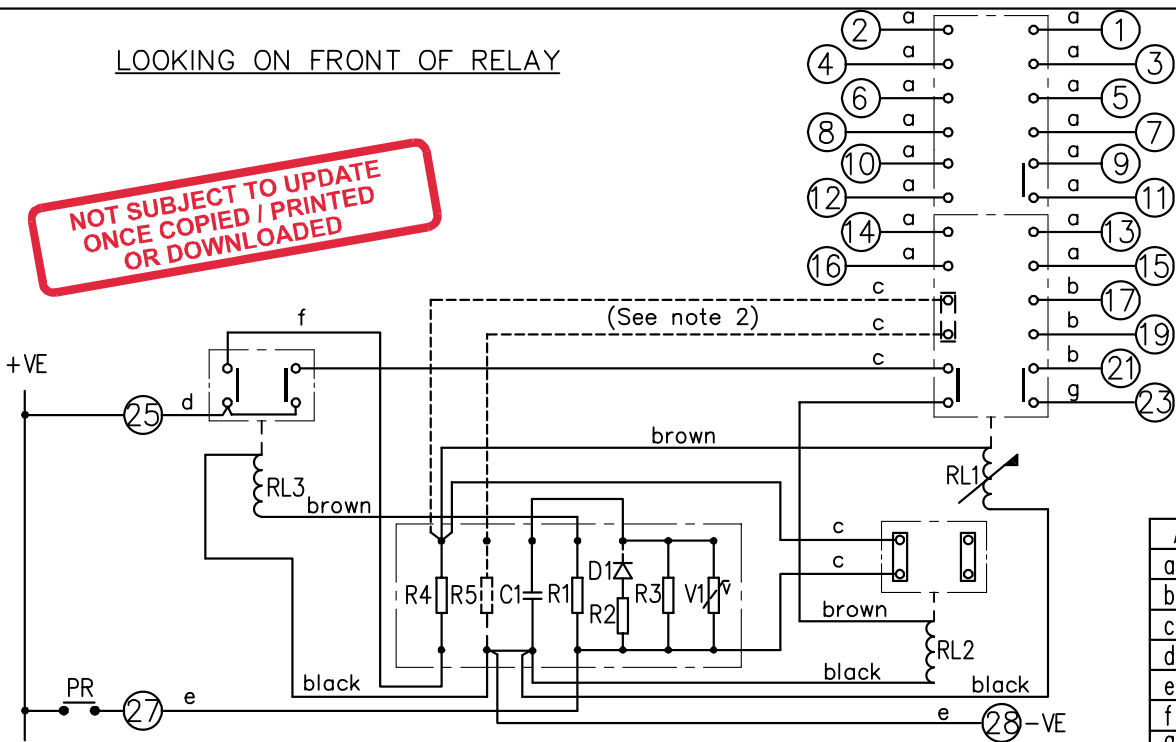


LOOKING ON FRONT OF RELAY

**NOT SUBJECT TO UPDATE
ONCE COPIED / PRINTED
OR DOWNLOADED**



**PRINTED ON 13/02/2012
ENSURE CORRECT REVISION
DESTROY AFTER USE**

2112W50038

ASSEMBLY WIRES USED	
a	2107B10001 16 OFF
b	2107B10002 3 OFF
c	2107B10004 5 OFF
d	2107D10164 1 OFF
e	2107D10165 2 OFF
f	2107D10169 1 OFF
g	2107B10003 1 OFF

RL2 COIL	2112G20020	2112G20021	2112G20023	2112G20024	2112G20027	2112G20030
RL1 COIL	2112G20013	2112G20014	2112G20016	2112G20017	2112G20020	2112G20023
V1					Z15L681 2105C52681	
R5			390R 2102C41391		2x100R IN SER. 2102C41101	
R4	2x68R IN SER. 2102C45680	2x68R IN SER. 2102C45680	2x820R IN // 2102C45821		2x3K9 IN // 2102C45392	
R3	100R 2102C41101	100R 2102C41101	100R 2102C41101		560R 2102C35561	
R2					330R 2102C45331	
R1	220R 2102C45221				560R 2102C35561	
D1					1N4007 2105C11006	
C1	2200µF 2104C53222	2200µF 2104C53222	2200µF 2104C53222		100µF 2104C56100	
Vdc	24	30	48	60	125	240

- KEY**
- ⊖ ⊖ make contact
 - ⊖ ⊖ break contact
 - ⊖ ⊖ c/o contact
 - ⊖ ⊖ ext. conn
 - ⊖ ⊖ plug bridge - shorting
 - ⊖ ⊖ metering point
 - ⊖ ⊖ 5Kv barrier
 - ⊖ ⊖ test socket - shorting
 - ⊖ ⊖ plug & socket

CONTACT CONFIG.	OUTPUT CONTACT PAIR / TERMINAL No.									
	1-3	2-4	5-7	6-8	9-11	10-12	13-15	14-16	17-19	21-23
10M	M	M	M	M	M	M	M	M	M	M
9M 1B	M	B	M	M	M	M	M	M	M	M
8M 2B	B	B	M	M	M	M	M	M	M	M
7M 3B	B	B	M	B	M	M	M	M	M	M
6M 4B	B	B	B	B	M	M	M	M	M	M
5M 5B	B	B	B	B	M	B	M	M	M	M
4M 6B	B	B	M	B	M	M	B	B	B	M
3M 7B	B	B	B	B	M	M	B	B	B	M
2M 8B	B	B	B	B	M	B	B	B	B	M

NOTE:

- CONTACT CONFIGURATION ABOVE IS REQUIRED FOR RELAY OPERATION. FOR DETAILS OF VARIABLE CONTACT OPTIONS SEE TABLE OPPOSITE.
- AREAS INDICATED THUS --- APPLY TO 48V AND 125V ONLY.

FRAME REFERENCE: E4FE02.
FRAME TERMINAL BLOCK ASSY: -
ASSEMBLY INSTRUCTIONS: -
 TYPICAL ASSEMBLY DRAWING 2995G10032.
 AT INDICATED POSITIONS FIT AS FOLLOWS:
 T - FIT TRIP ISOLATION CONTACT 2995B10053
 S - FIT STANDARD CONTACT 2995B10054
 SECURE CONTACTS USING FIXING SCREW 2109F99009.
 POSITIONS SHOWN BLANK ARE UNUSED

2	T	T	1
4	T	T	3
6	T	T	5
8	T	T	7
10	T	T	9
12	T	T	11
14	T	T	13
16	T	T	15
18		T	17
20		T	19
22		T	21
24		T	23
26		T	25
28	S	S	27

VIEW FROM NUMBERED SIDE OF BLOCK

OUTER TERMINAL BLOCK ASSY: -
ASSEMBLY INSTRUCTIONS: -
 TYPICAL ASSEMBLY DRAWING 2995G10029.
 AT INDICATED POSITIONS FIT AS FOLLOWS:
 S - FIT STANDARD CONTACT 2995B10051
 HC - FIT 'HEAVY CURRENT' KIT 2995G10030
 WHERE ⊖ ⊖ IS SHOWN FIT CT SHORTING KIT 2995G10031
 POSITIONS SHOWN BLANK ARE UNUSED.
 ALL POSITIONS FIT SCREW 2106F12506.

2	S	S	1
4	S	S	3
6	S	S	5
8	S	S	7
10	S	S	9
12	S	S	11
14	S	S	13
16	S	S	15
18		S	17
20		S	19
22		S	21
24		S	23
26		S	25
28	S	S	27

VIEW FROM INSIDE FACE

3 RDW 12/02/12 MN112/3496 JB			Title: T. B. AND WIRING DIAG. FOR TR214-10 RELAY IN EPSILON E4 CASE.		First used on:	
2 RDW 14/11/05 MN112/2744					Similar Articles:	
1 24/03/99					Supersedes:	
ISSUE DATE MOD.No.			Reyrolle Protection Hebburn.		Drg.No. 2112W50038	
DRAWN: A.LAW.		CHECKED:	APPROVED: R.D.WATSON	DATE: 16/07/02	Copyright © 1998 Reyrolle Ltd.	