

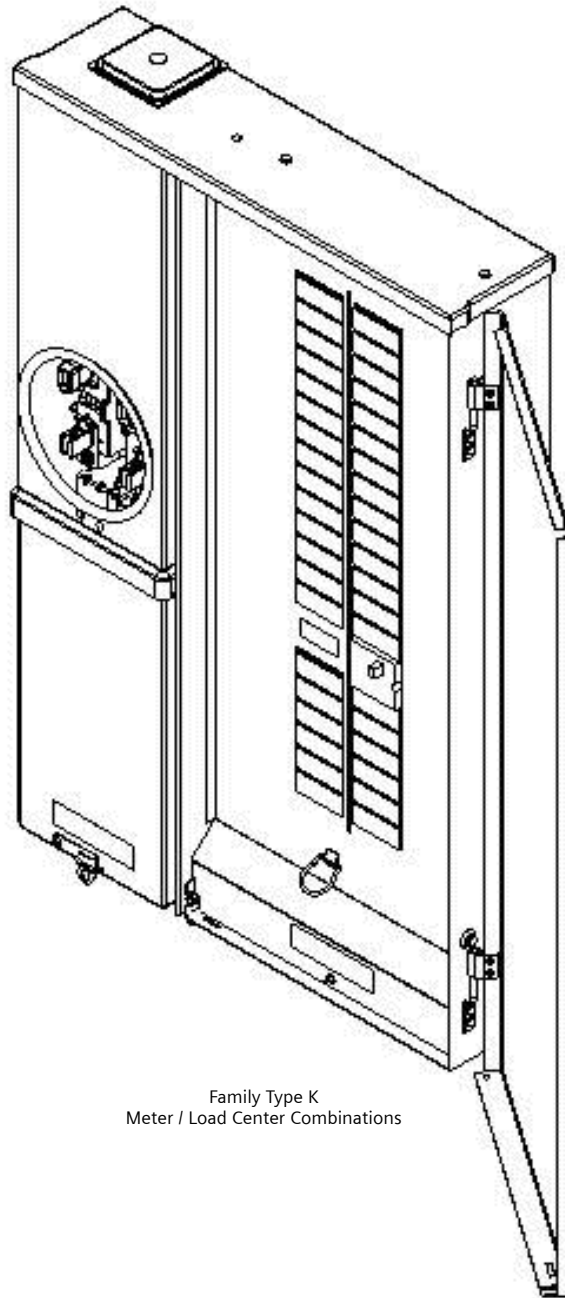
Meter / Load Center Combinations

Family Type K – General Information

FEATURES

- UL Listed only for use as service entrance equipment.
- Overhead and underground feed.
- Side-hinged door, requires the removal of only one screw to remove door.
- Captive deadfront screw.
- 22k AIC rating.
- Ring type meter cover.
- Surface mounting.
- NEMA Type 3R enclosure with painted, G90 galvanized steel.
- Ample wiring room.
- Flush rail kit available for flush mounting.
- Type RX hub provision.
- Rigid molded basepan.
- *INSTA-WIRE*® neutrals.
- Visible neutrals.
- Deadfront pull ring.

Catalog Number	Spaces	Circuits	Amperage
MC3040B1200SECW	30	40	200
MC4040B1200SECW	40	40	200



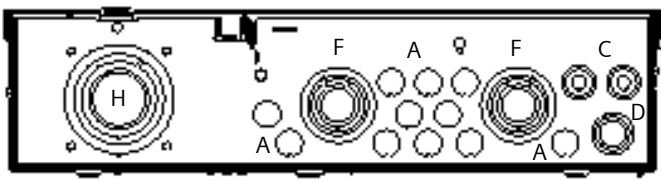
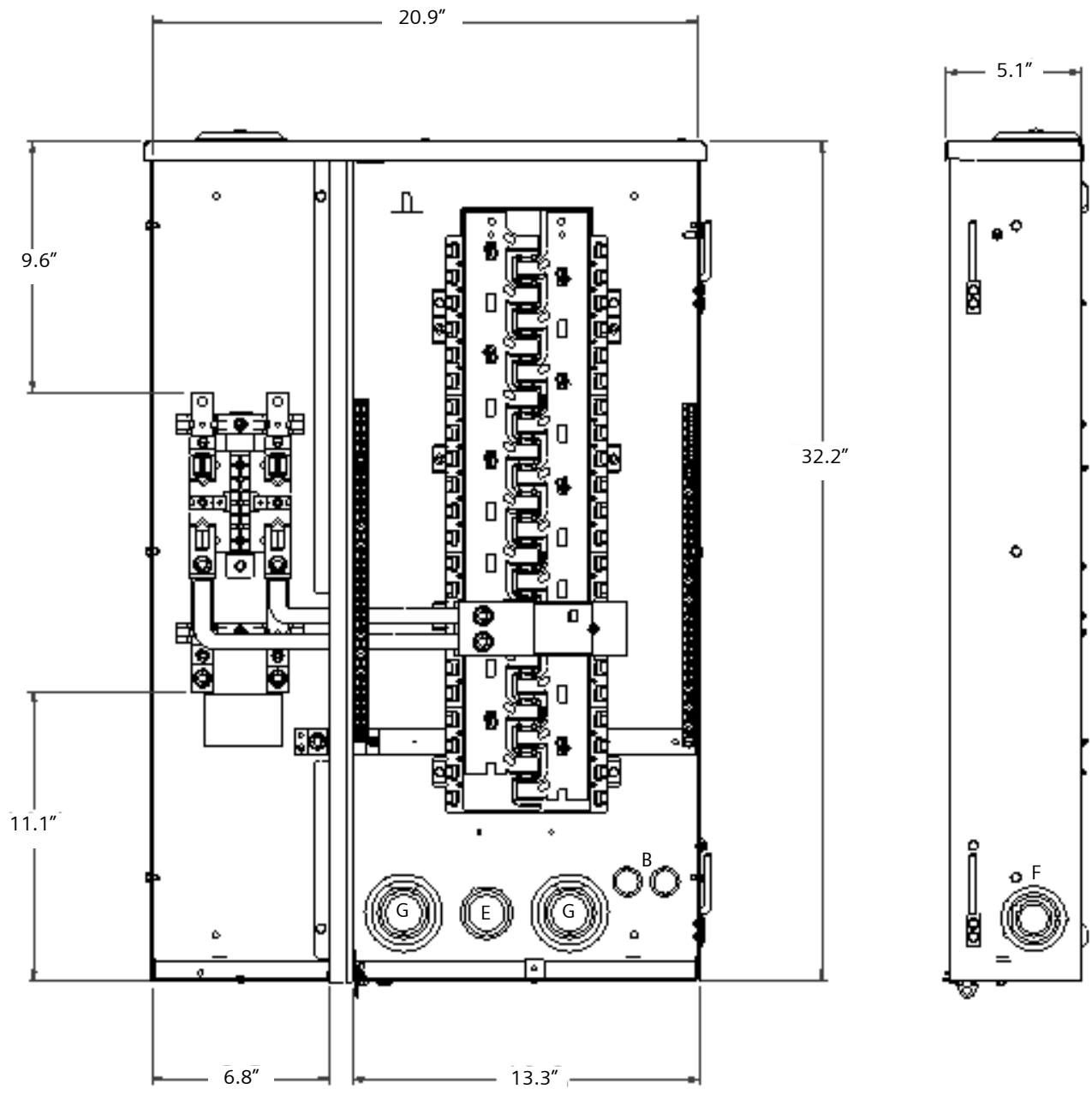
Family Type K
Meter / Load Center Combinations

fastfax

SIEMENS

Meter / Load Center Combinations

Family Type K – Dimensional Drawing



KNOCKOUT CODE

- A = 1/2"
- B = 1/2", 3/4"
- C = 3/8", 1/2", 3/4"
- D = 1/2", 3/4", 1"
- E = 1", 1-1/4", 1-1/2"
- F = 3/4", 1", 1-1/4", 1-1/2", 2"
- G = 1-1/2", 2", 2-1/2"
- H = 1", 1-1/4", 2", 2-1/2", 3"

SIEMENS

Rainproof Combination Metering

Catalog number

MC3040B1200SECW

Enclosure
Type 3R

Panelboard Rating

200 Amps, Max
120/240 Volts ~, 1 phase, 3 wire
208Y/120 Volts ~, 1 phase, 3 wire
(Derived from 3 phase – 4 wire system)

Meter Socket Rating

200 Amps Continuous

Suitable Only For Use As Service Equipment

For Overhead or Underground Service

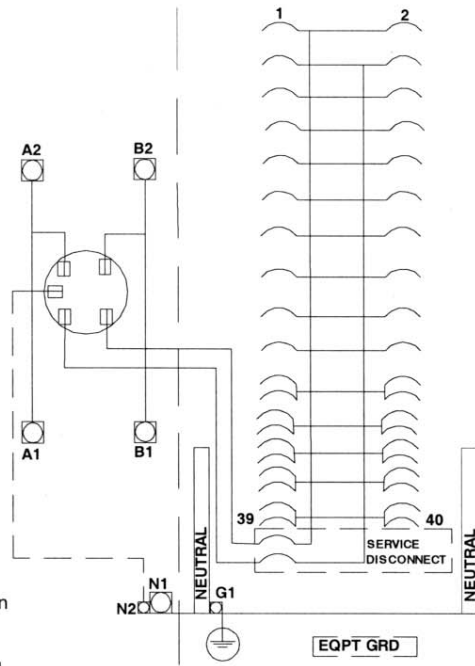
Use 60/75° C Copper or Aluminum Conductor in Terminals A1, B1, A2, B2, N1, and N2.

Line Terminals A and B have wire connectors installed for Underground service entry as shown in the wire diagram, Location A1 and B1. For overhead entry, remove wire connectors from location A1 and B1 and install in location A2 and B2. Torque the sems nut to 40-45 lb in.

Unused neutral branch terminals may be used to terminate equipment grounding wires in the combinations indicated for equipment ground bar terminals

General Information:

Circuit Breakers overload trip position is indicated by handle position midway between ON and OFF. To reset, move handle to OFF position then turn ON. For installation in accordance with all local Electrical codes and/or the National Electrical Code®.



Terminal	Wire Size	Torque
A1, B1, A2, B2	250 kcmil - #4	250 lb in
N1	300 kcmil-#6	275 lb in
N2	#2-#14	50 lb in
G1	1/0-#14	120 lb in
Branch Breaker Terminals	See Markings on Breaker	
Neutral Bar/Ground Bar (Use type GB Ground Bar Kit Accessory)	#10-#14 CU	20 lb in
	#10-#12 AL	20 lb in
	#8	25 lb in
	#6-#4	35 lb in
Ground Conductors Only	(2) Or (3) #14	20 lb in
	(2) #12-#10	20 lb in

Accessories:

Filler Plate QF3
5th Jaw Accessory MC5J
Mechanical Interlock QML12
Flush Rail Kit FRK1
Meter Socket Jumper JSU

Ground Bars

Catalog Number	Taps
GB5	5
GB10	10
GB14	14
GB20	20
INSGB5 (Insulated)	5

Lug Kits

Catalog Number	Wire Range	Torque
LK1-2	2/0- #2	45 lb in
LK2	2/0- #4	135 lb in
LK3	300 kcmil- #1	340 lb in

If hub is required, the catalog numbers listed Below may be used on the top of this enclosure	
Trade size (in)	Catalog number
1 ¼"	S38597-2
1 ½"	S38598-2
2"	S38599-2
2 ½"	S38600-2

Short Circuit Current Rating (Watt-hour Meter not included in short circuit rating)

This panelboard has a short circuit current rating of 22,000 Amps RMS symmetrical, 120/240 V~. The correct branch circuit breakers and main/branch breaker series combinations to be used for various short circuit current levels are listed in the tabulation below. Any circuit breaker installed, replaced, or added in this panelboard must be manufactured by Siemens and must be of the correct type as indicated in the tabulation below.

Main Breaker	Branch Breaker	Then the maximum short circuit rating in RMS symmetrical amperes, 120/240 V ~ is:
When the main breaker is:	And the branch breakers installed are Siemens Type:	
QNRH	QP, QPF, QPHF, QE, QEH, QAF, QAFH, QPH, HQP	22,000

Siemens Energy & Automation, Inc. Alpharetta, Georgia U.S.A.

Part No. 4099631 Rev A

Important.

Do not spray or allow any petroleum based chemicals, solvents, or paint to contact interior components.
®The National Electrical Code is a recognized trademark of National Fire Protection Association.
Assembled in Mexico

E10703

SIEMENS

Rainproof Combination Metering

Catalog number

MC4040B1200SECW

Enclosure
Type 3R

Panelboard Rating

200 Amps, Max
120/240 Volts ~, 1 phase, 3 wire
208Y/120 Volts ~, 1 phase, 3 wire
(Derived from 3 phase – 4 wire system)

Meter Socket Rating

200 Amps Continuous

Suitable Only For Use As Service Equipment

For Overhead or Underground Service

Use 60/75° C Copper or Aluminum Conductor in Terminals A1, B1, A2, B2, N1, and N2.

Line Terminals A and B have wire connectors installed for Underground service entry as shown in the wire diagram, Location A1 and B1. For overhead entry, remove wire connectors from location A1 and B1 and install in location A2 and B2. Torque the sems nut to 40-45 lb in.

Unused neutral branch terminals may be used to terminate equipment grounding wires in the combinations indicated for equipment ground bar terminals

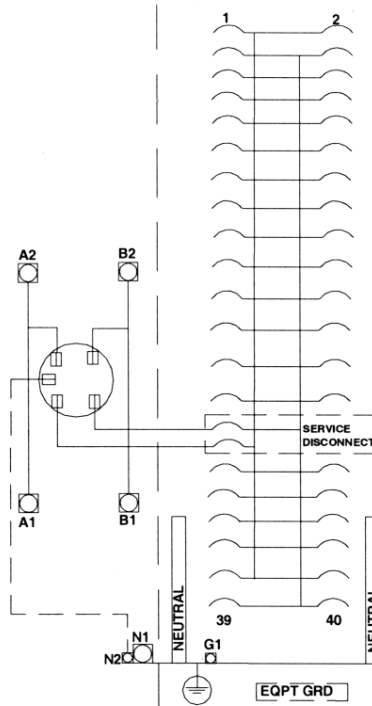
General Information:

Circuit Breakers overload trip position is indicated by handle position midway between ON and OFF. To reset, move handle to OFF position then turn ON. For installation in accordance with all local Electrical codes and/or the National Electrical Code®.

Short Circuit Current Rating (Wattour Meter not included in short circuit rating)

This panelboard has a short circuit current rating of 22,000 Amps RMS symmetrical, 120/240 V~. The correct branch circuit breakers and main/branch breaker series combinations to be used for various short circuit current levels are listed in the tabulation below. Any circuit breaker installed, replaced, or added in this panelboard must be manufactured by Siemens and must be of the correct type as indicated in the tabulation below.

Main Breaker	Branch Breaker	Then the maximum short circuit rating in RMS symmetrical amperes, 120/240 V ~ is:
When the main breaker is:	And the branch breakers installed are Siemens Type:	
QNRH	QP, QPF, QPHF, QE, QEH, QAF, QAFH, QPH, HQP	22,000



Trade size (in)	Catalog number
1 ¼"	S38597-2
1 ½"	S38598-2
2"	S38599-2
2 ½"	S38600-2

Terminal	Wire Size	Torque
A1, B1, A2, B2	250 kcmil - #4	250 lb in
N1	300 kcmil-#6	275 lb in
N2	#2-#14	50 lb in
G1	1/0-#14	120 lb in
Branch Breaker Terminals	See Markings on Breaker	
Neutral Bar/Ground Bar (Use type GB Ground Bar Kit Accessory)	#10-#14 CU #10-#12 AL #8 #6-#4	20 lb in 20 lb in 25 lb in 35 lb in
Ground Conductors Only	(2) Or (3) #14 (2) #12-#10	20 lb in 20 lb in

Accessories:

Filler Plate QF3
5th Jaw Accessory MC5J
Mechanical Interlock QML12
Flush Rail Kit FRK1
Meter Socket Jumper JSU

Ground Bars

Catalog Number	Taps
GB5	5
GB10	10
GB14	14
GB20	20
INSGB5 (Insulated)	5

Lug Kits

Catalog Number	Wire Range	Torque
LK1-2	2/0- #2	45 lb in
LK2	2/0- #4	135 lb in
LK3	300 kcmil- #1	340 lb in

Siemens Energy & Automation, Inc. Alpharetta, Georgia U.S.A.

Part No. 4099561 Rev A

Important.

Do not spray or allow any petroleum based chemicals, solvents, or paint to contact interior components.
©The National Electrical Code is a recognized trademark of National Fire Protection Association.
Assembled in Mexico

E10703