

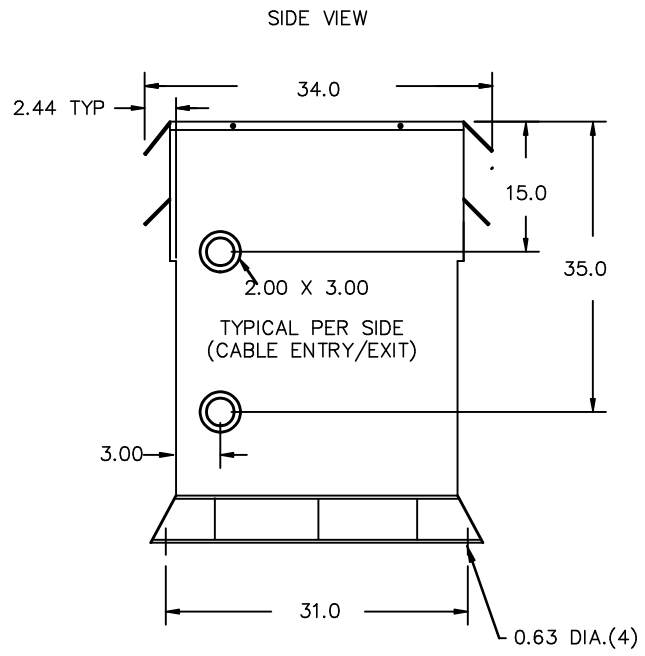
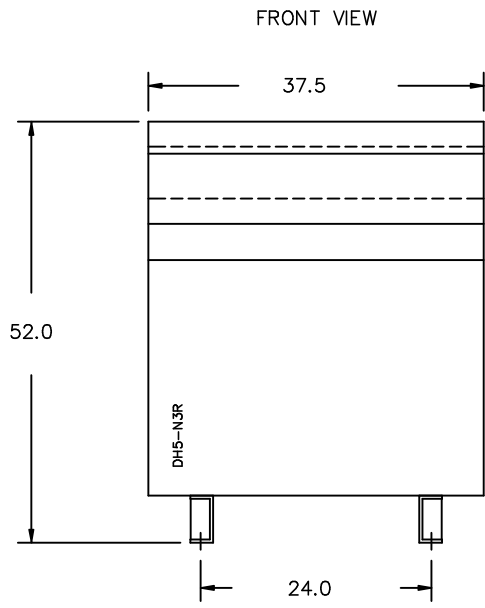
REVISION	DATE	BY	DATE	BY
			18/11/07	RM

CUSTOMER		Siemens Industry, Inc.	
ORDER NO.	DWG. NO.		
	3B5S300BCD16		SH 1 OF 3

SIEMENS

<p>CATALOG NO. 3B5S300BCD16</p> <p>SERIAL NO. SERIES H</p> <p>300 kVA 60 Hz 3 PHASE</p> <p>4.1 % IMP AT 100 °C</p>	<p>80 °C RISE 30 °C AVG. AMBIENT</p> <p>220 °C TEMP CLASS 40 °C MAX. AMBIENT</p> <p>PRIMARY (X1 X2 X3) 208 V 10 kV BIL</p> <p>SECONDARY(H0 H1 H2 H3) 480Y/277 V 10 kV BIL</p>	<p>WINDING MATERIAL CU</p> <p>ENCLOSURE TYPE 3R WEIGHT 2350LBS</p> <p>ENERGY EFFICIENCY C802.2-2012 DOE 10 CFR PART 431:2016</p> <p>SPACINGS BETWEEN ANY VENTILATED ENCLOSURE PANEL AND ANY ADJACENT WALL SHALL BE A MINIMUM OF 5 INCHES EXCEPT WHEN WALL MOUNTED USING APPROVED WALL MOUNTING KIT TRANSFORMER SUITABLE FOR STEP UP OPERATION ONLY</p>	<p>TYPE K</p> <p>UL DRY TYPE TRANSFORMER 7715 E112313 LISTED</p> <p>LR 3902</p> <p>SEISMIC QUALIFICATIONS, FLOOR MOUNT ONLY OSP-0136-10 IBC 2012/ASCE 7-10 SDS<=2.0g Z/h=1 Ip=1.5</p>
<p>CATALOG NO. 3B5S300BCD16</p> <p>SERIAL NO. SERIES H</p> <p>300 kVA 60 Hz 3 PHASE</p> <p>4.1 % IMP AT 100 °C</p>			

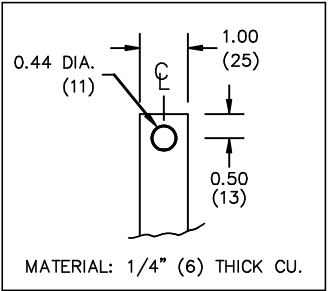




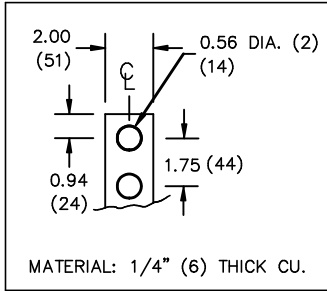
All Dimensions in inches

ENCLOSURE COLOR :ANSI 61 GREY – OUTDOOR

HV TERMINAL DETAIL



LV TERMINAL DETAIL



CUSTOMER NOTES:

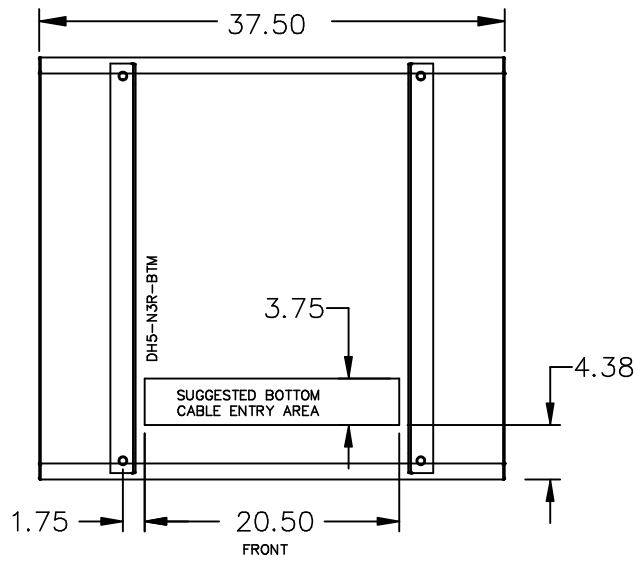
- HV TERMINATED AT BOTTOM FRONT
- LV TERMINATED AT TOP FRONT

Siemens Industry, Inc.

REVISION	DATE	BY	DATE	BY	CUSTOMER		
			18/11/07	RM			
					ORDER NO.	DWG. NO.	
						3B5S300BCD16	SH 2 OF 3

0.0 rmova 2018/11/07 15:49

ENCLOSURE BOTTOM VIEW



NOTE:
 WHEN BOTTOM CABLE ENTRY IS OPTED, THE SPACE USED FOR CONDUITS IN THE FRONT OF THE TRANSFORMER SHOULD NOT OBSTRUCT MORE THAN 50% OF THE FRONT AIR INTAKE AREA DEFINED BETWEEN THE BOTTOM PLATE AND THE SUPPORTING LEGS.
 SEE MANUAL FOR ADDITIONAL INFORMATION

Siemens Industry, Inc.

REVISION	DATE	BY	DATE	BY
		DRAWN	18/11/07	RM
		CHEK'D		
		VERIF'D		

CUSTOMER		
ORDER NO.	DWG. NO.	
	3B5S300BCD16	SH 3 OF 3