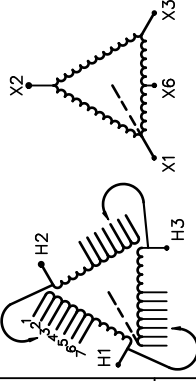




FOR APPROVAL ONLY

- MADE IN USA

SIEMENS

CATALOG NO. 3F1Y015K4FCD16BA SERIAL NO. SERIES H 15 kVA 60 Hz 3 PHASE 4 % IMP AT 135 °C		 <p>VOLTS CONNECT</p> <p>504 492 480 468 456 444 432</p> <p>1 2 3 4 5 6 7</p>
115 °C RISE 30 °C AVG. AMBIENT 220 °C TEMP CLASS 40 °C MAX. AMBIENT	PRIMARY (H1 H2 H3) 480 V 10 kV BIL SECONDARY(X1 X2 X3) 240 V 10 kV BIL	WINDING MATERIAL CU ENCLOSURE TYPE 3R WEIGHT 200 LBS ENERGY EFFICIENCY EXCEEDS CSA 802.2-2012 DOE 10 CFR PART 431:2016
SPACINGS BETWEEN ANY VENTILATED ENCLOSURE PANEL AND ANY ADJACENT WALL SHALL BE A MINIMUM OF 3 INCHES X6=120V CT, 5% OF KVA RATING MAXIMUM ELECTROSTATIC SHIELD		
SUITABLE FOR NONSINUSOIDAL CURRENT LOAD WITH K-FACTOR NOT TO EXCEED K-4 SUITABLE FOR INDOOR OR OUTDOOR LOCATIONS BEFORE HANDLING, INSTALLING AND OPERATING, SEE INSTRUCTION MANUAL NEMA Class ANN Dry Type Transformer Siemens Industry, Inc. Norcross, GA 68u0087e		
		TYPE K  LISTED  LR 3902 DRY TYPE TRANSFORMER E112313

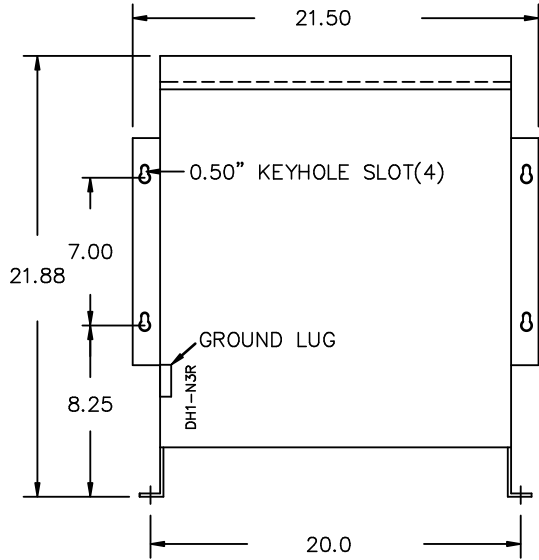


REVISION	DATE	BY	DATE	BY
		DRAWN	17/02/27	GP
		CHEK'D		
		VERIF'D		

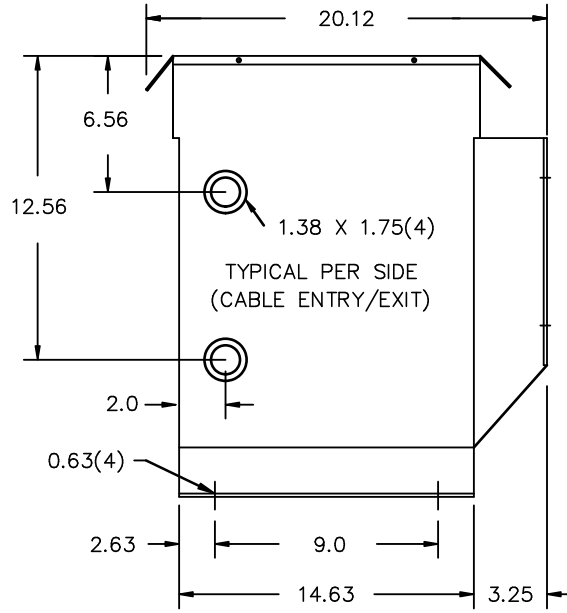
Confidential - Property of Siemens Industry, Inc.	
CUSTOMER	
ORDER NO.	DWG. NO.
	3F1Y015K4FCD16BA SH 1 OF 3

FOR APPROVAL ONLY

FRONT VIEW



SIDE VIEW



All Dimensions in inches

ENCLOSURE COLOR : ANSI-61 GREY PAINT OUTDOOR

HV TERMINAL DETAIL

LV TERMINAL DETAIL

MECHANICAL TYPE LUGS INCLUDED
SUITABLE FOR #14-2 CU/AL
CONDUCTORS
1 CONDUCTOR PER PHASE

MECHANICAL TYPE LUGS INCLUDED
SUITABLE FOR #14-2 CU/AL
CONDUCTORS
1 CONDUCTOR PER PHASE

CUSTOMER NOTES:

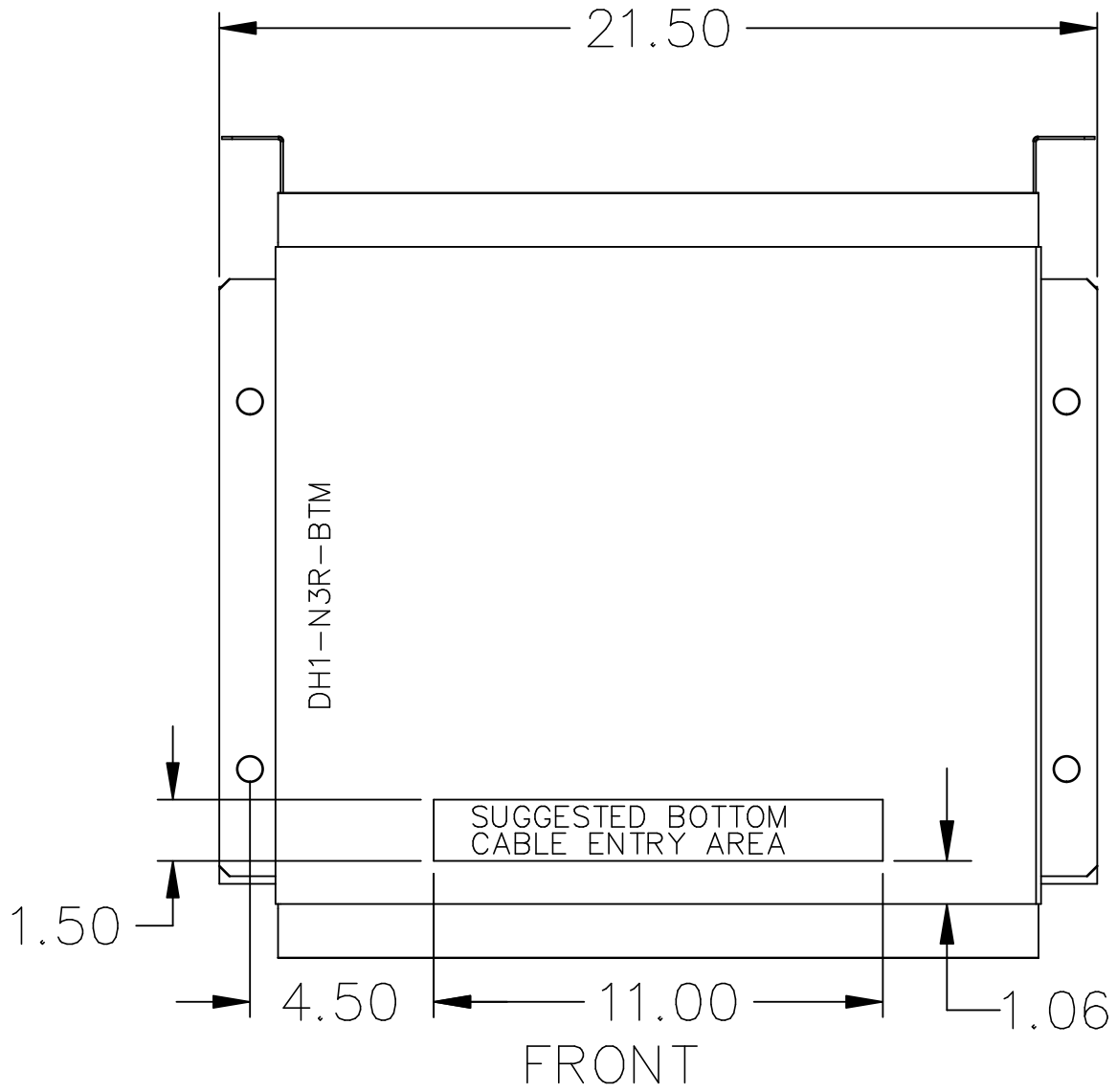
- HV TERMINATED AT TOP FRONT
- LV TERMINATED AT BOTTOM FRONT

Confidential - Property of
Siemens Industry, Inc.

REVISION	DATE	BY	DATE	BY
			17/02/27	GP

CUSTOMER	
ORDER NO.	DWG. NO.
	3F1Y015K4FCD16BA SH 2 OF 3

FOR APPROVAL ONLY



NOTE:
 WHEN BOTTOM CABLE ENTRY IS OPTED, THE SPACE USED FOR CONDUITS IN THE FRONT OF THE TRANSFORMER SHOULD NOT OBSTRUCT MORE THAN 50% OF THE FRONT AIR INTAKE AREA DEFINED BETWEEN THE BOTTOM PLATE AND THE SUPPORTING LEGS.
 SEE MANUAL FOR ADDITIONAL INFORMATION

Confidential - Property of
 Siemens Industry, Inc.

REVISION	DATE	BY	DATE	BY
		DRAWN	17/02/27	GP
		CHEK'D		
		VERIF'D		

CUSTOMER	
ORDER NO.	DWG. NO. 3F1Y015K4FCD16BA SH 3 OF 3

0.0 gpatel 2017/02/27 12:50