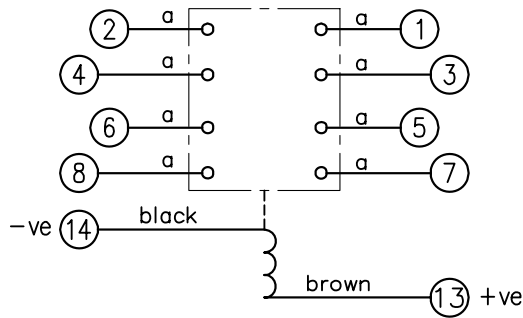


LOOKING ON FRONT OF RELAY



NOT SUBJECT TO UPDATE  
ONCE COPIED / PRINTED  
OR DOWNLOADED

**NOTE:**

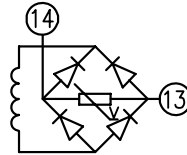
1. FOR THE 30, 60 AND 240 VOLTAGES THAT REQUIRE RESISTORS SEE WIRING DIAGRAM 2112W50224 FOR DETAILS.

COIL	2112G20123	2112G20126	2112G20129		ASSEMBLY WIRES USED
Volts dc	24	48	125	a	2107B10002 8 OFF

HEAVY DUTY (HD) CONTACTS ARE FITTED WITH BLOWOUT MAGNETS AND ARE POLARITY CONSCIOUS. SEE TABLE BELOW FOR +VE TERMINAL.

KEY	CONTACT CONFIG.	OUTPUT CONTACT PAIR / TERMINAL No.					
		1-3	2-4	5-7	6-8	9-11	10-12
make contact	4M	M	M	M	M		
break contact	3M 1B	M	B	M	M		
c/o contact	2M 2B	B	B	M	M		
ext. conn	1M 3B	B	B	M	B		
plug bridge	4B	B	B	B	B		
- shorting	4M(HD)	M+	M+	M+	M+		
metering point	3M(HD) 1B(HD)	M+	M+	M+	+B		
5Kv barrier	2M(HD) 2B(HD)	M+	M+	+B	+B		
test socket	1M(HD) 3B(HD)	M+	+B	+B	+B		
- shorting	4B(HD)	+B	+B	+B	+B		
plug & socket	2M(HD)2M(STD)	M+	M+	M	M		
	2M(HD)2B(STD)	M+	M+	B	B		
	2M(STD)2B(HD)	M	M	+B	+B		

NOTE: WHEN RECTIFIER IS SPECIFIED COIL CONNS. ARE AS SHOWN.



PRINTED ON 10/07/2012  
ENSURE CORRECT REVISION  
DESTROY AFTER USE

FRAME REFERENCE: E2FAQQ.

FRAME TERMINAL BLOCK ASSY: -

ASSEMBLY INSTRUCTIONS: -  
TYPICAL ASSEMBLY DRAWING 2995G10032.  
AT INDICATED POSITIONS FIT AS FOLLOWS:  
T - FIT TRIP ISOLATION CONTACT 2995B10053  
S - FIT STANDARD CONTACT 2995B10054  
SECURE CONTACTS USING FIXING SCREW 2109F99009.  
POSITIONS SHOWN BLANK ARE UNUSED

2	T	T	1
4	T	T	3
6	T	T	5
8	T	T	7
10			9
12			11
14	S	S	13
16			15
18			17
20			19
22			21
24			23
26			25
28			27

VIEW FROM NUMBERED SIDE OF BLOCK

OUTER TERMINAL BLOCK ASSY: -

ASSEMBLY INSTRUCTIONS: -  
TYPICAL ASSEMBLY DRAWING 2995G10029.  
AT INDICATED POSITIONS FIT AS FOLLOWS:  
S - FIT STANDARD CONTACT 2995B10051  
HC - FIT 'HEAVY CURRENT' KIT 2995G10030  
WHERE IS SHOWN FIT CT SHORTING KIT 2995G10031  
POSITIONS SHOWN BLANK ARE UNUSED.  
ALL POSITIONS FIT SCREW 2106F12506.

2	S	S	1
4	S	S	3
6	S	S	5
8	S	S	7
10			9
12			11
14	S	S	13
16			15
18			17
20			19
22			21
24			23
26			25
28			27

VIEW FROM INSIDE FACE

Copyright © 1999 VATECH REYROLLE ACP Ltd. Hebburn

			Title: T.B. AND W.D. FOR XR152/XR153 4 CONT. 24V, 48V AND 125V IN A E2 CASE.	First used on:		
5 RDW	02/07/12	MN112/3500 JB	<b>VATECH REYROLLE</b> <b>AUTOMATION, CONTROL &amp; PROTECTION</b>	Similar Articles:		
4 RDW	27/07/07	MN112/2888		Supersedes:		
3 RDW	22/10/04	HD ADDED MN112/2667		Drg.No.	2112W50095	
2	22/3/02	MN112/2268		Original Scale:		
1	28/4/99					
ISSUE	DATE	MOD.No.				
DRAWN:	A.LAW.	CHECKED:	APPROVED: R.D.WATSON	DATE:	17/07/02	
				IE:		
				OPS:		