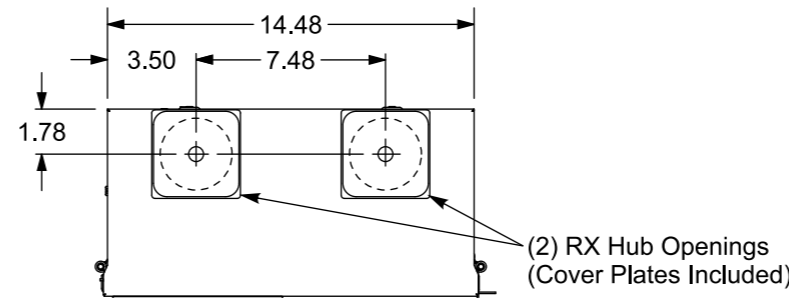


# Catalog Number: MC2040B1200SED

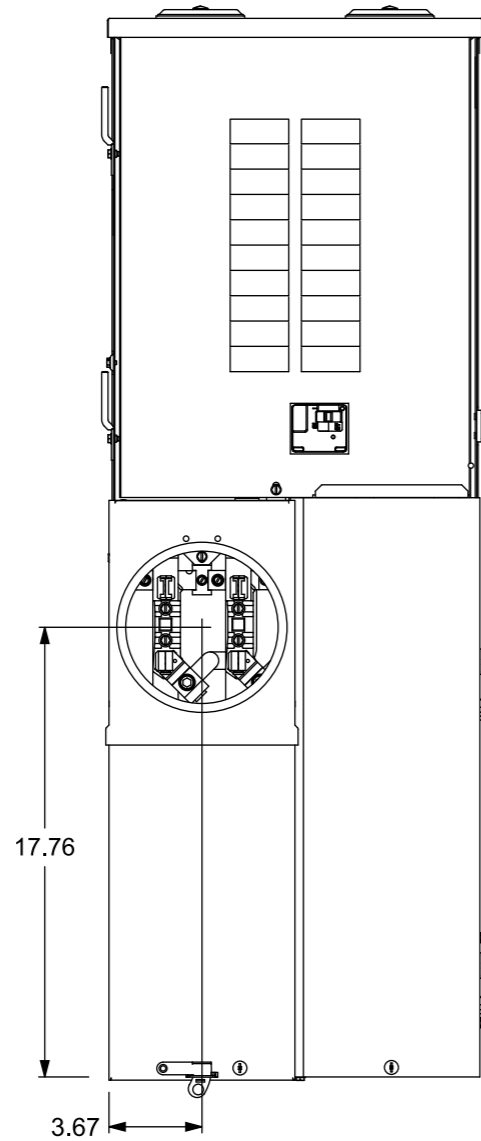
## Features and Ratings



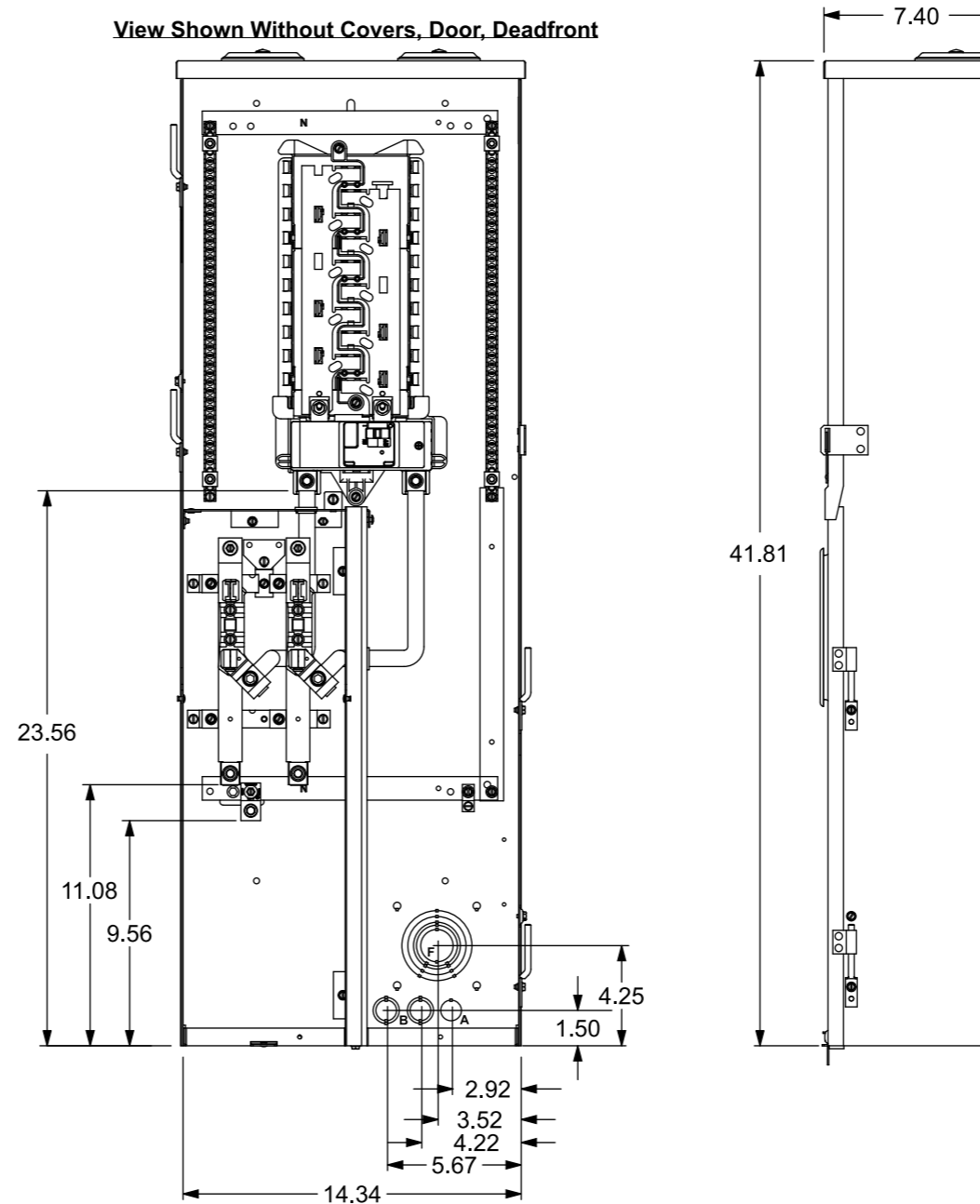
- Outdoor Enclosure (Type 3R)
- Ring Type Meter Cover (Ring Included)
- Meter Socket Rating: 200A Continuous
- Panelboard Rating: 200A Max; Bus rating: 200A Max.
- 200A Main Breaker installed
- 1 Phase, 3 Wire, 120/240V~, 120/208V~
- 22,000 AIC Max. Rated (See Wiring Diagram for Details)
- (20) 1" Spaces, (40) Circuits Max.
- UL Listed only for use as Service Entrance Equipment
- Copper Bus Bars
- Underground Service Entrance
- Surface Mounting
- Suitable for Solar Applications
- Complies with EUSERC Dwg. No. 301



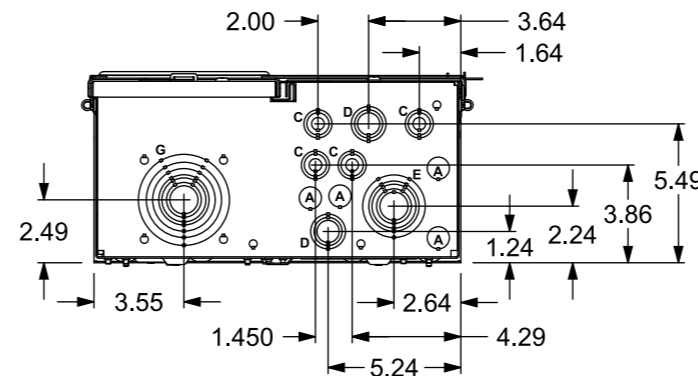
View Shown Without LC Door



View Shown Without Covers, Door, Deadfront



DESIGNATION	QTY	KNOCKOUT
A	5	1/2"
B	2	3/4", 1/2"
C	4	3/4", 1/2", 3/8"
D	2	1", 3/4", 1/2"
E	1	2", 1-1/2", 1-1/4", 1", 3/4"
F	1	2-1/2", 2", 1-1/2", 1-1/4", 1"
G	1	3, 2-1/2, 2, 1-1/2, 1-1/4, 1, 3/4" with HC Hub Provision



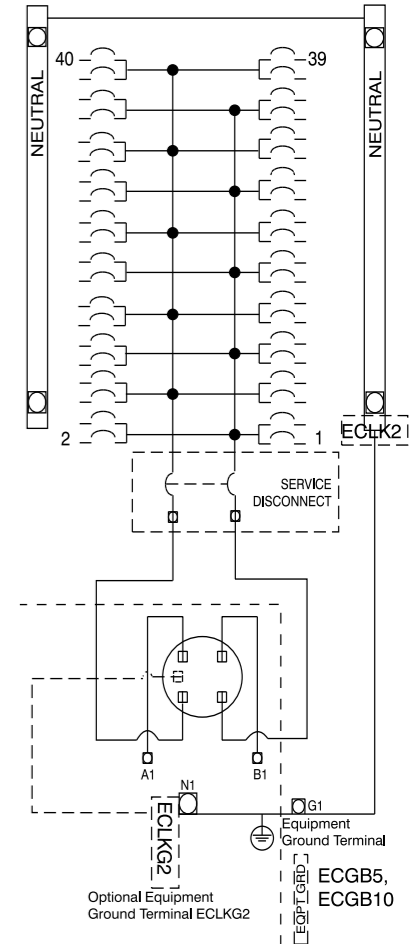
## Accessories

If hub is required, use the catalog numbers listed below:

Trade size (in)	Catalog number
<i>RX Type Hub (top endwall)</i>	
1 1/4"	EC38597
1 1/2"	EC38598
2"	EC38599
2 1/2"	EC38600
<i>HC Type Hub (bottom endwall)</i>	
2"	ECHC200
2 1/2"	ECHC250
3"	ECHC300

Lug Kit	Wire Range	Torque
ECLK2	2/0 - #14	135 lb in
ECLKG2	2/0 - #14	50 lb in
<b>Ground Bar</b>		
ECGB5		5
ECGB10		10
<b>Taps</b>		
Filler Plate - QF3 or ECQF3		
5" Jaw Assembly - EC659-0121		
Mechanical Interlock - ECQML12		
Meter Socket Jumper - ECJS		
Interlock Kit - ECSBPK03		
Receptacle Cover - ECTPD1		
200 Amp Main Breaker - MBK200A		
150 Amp Main Breaker - MBK150A		

## Schematic



Terminal	Wire Size	Torque
A1, B1	300kcmil - #4	250 lb-in
N1	300kcmil - #4	250 lb-in
G1	#2 - #14	50 lb-in
Branch Breaker Terminals	See Markings on Breaker	
Neutral/Equipment Ground	#10 - #14 CU	20 lb-in
	#10 - #12 AL	20 lb-in
	#8	25 lb-in
Ground Conductors Only	#6 - #4	35 lb-in
	(2) or (3) #14 AWG	20 lb-in
	(2) #12-#10 AWG	20 lb-in

© 2020 Copyright Siemens Industry, Inc.

**SIEMENS**  
Siemens Industry, Inc.

## Meter Load Center Combination

Description:  
**200A, 20 Sp/40 Ckt, UG, MB, Surface Mount**

KAM 6/9/20 Fam L DO NOT SCALE DRAWING Dwg. No. **MC2040B1200SED**