

SIPROTEC 5 – V08.30

Measuring point disconnection
functionality

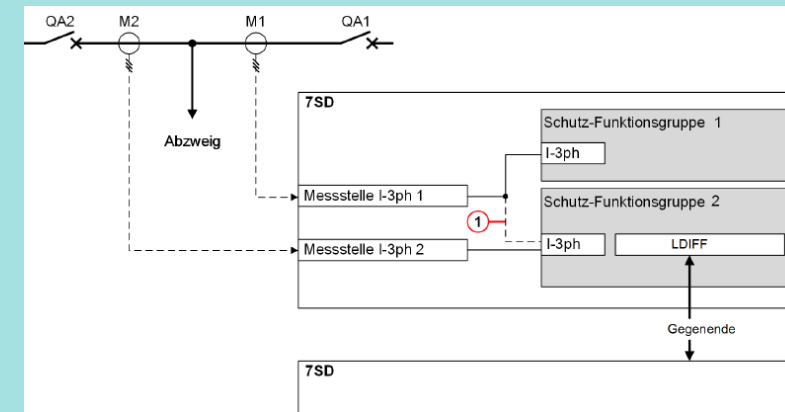
NEW: Measuring point disconnection functionality

Simplified maintenance, testing and operating

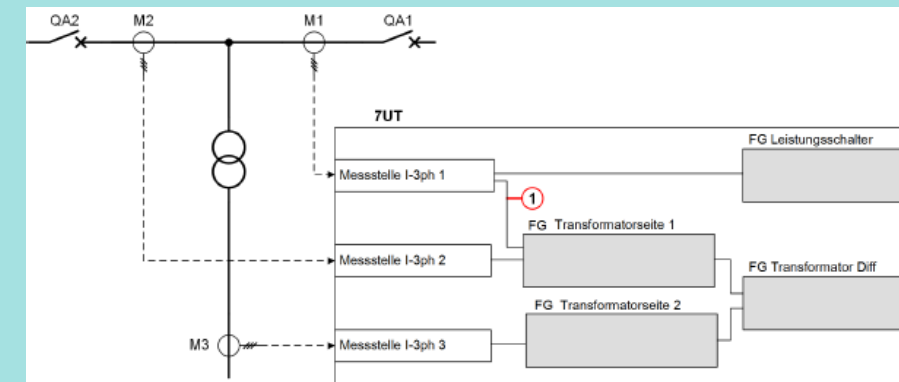
- Disconnection of individual 3ph current measuring points from the processing of the protection system
- No physical intervention on the terminals.
- Disconnection of the measuring point via binary input
- Avoids incorrect tripping of the connected protection function cause by current injection

- Higher availability of the whole protection system
- Cost efficient solution -> reduce number of devices
- Simplified engineering, maintenance, testing and operation

Line application example (1.5 circuit breaker scheme)



Transformer application example (1.5 circuit breaker scheme)



① Temporary disconnection of the measuring point I-3ph 1 to FG

