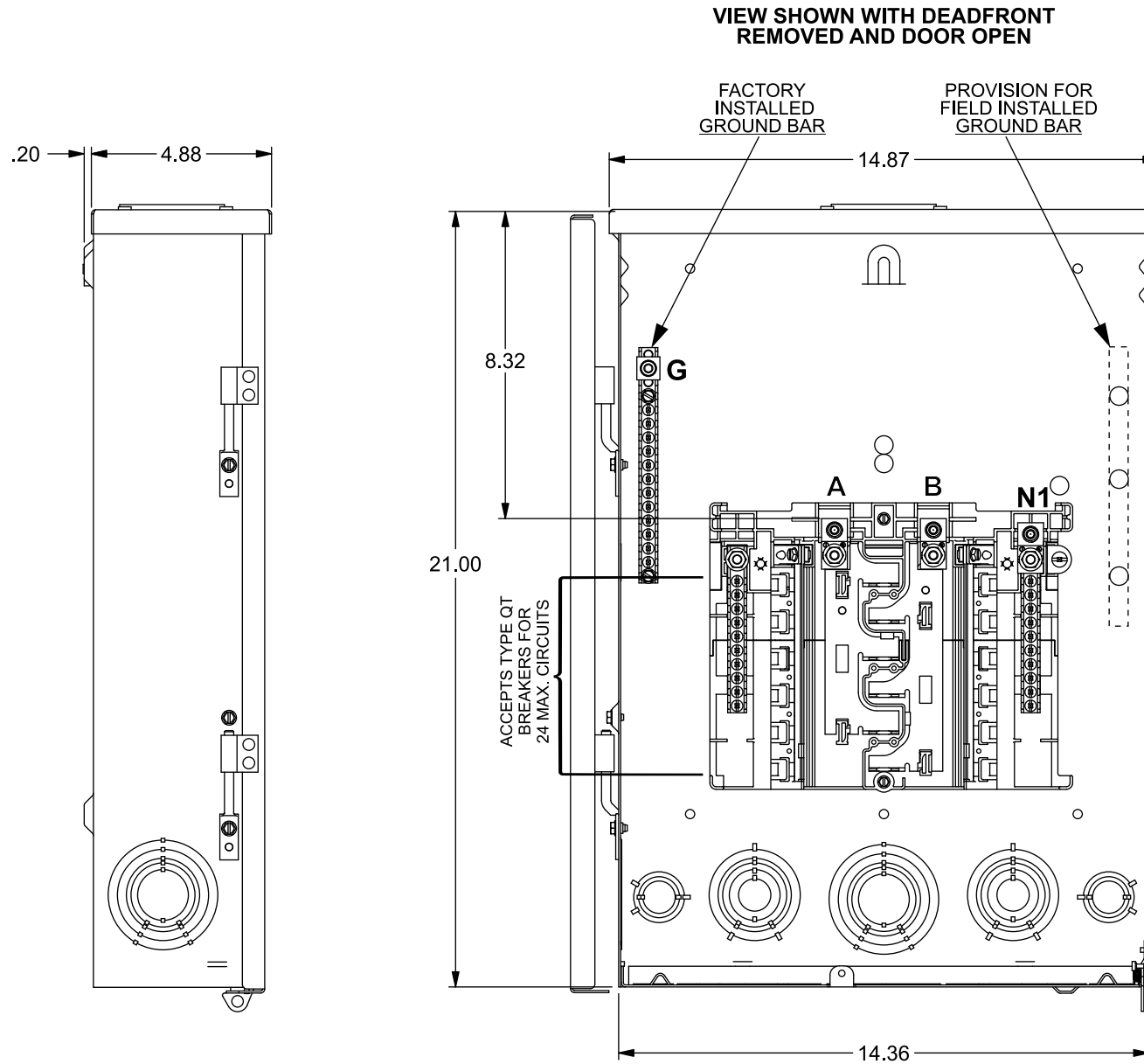


Catalog Numbers, Features and Ratings

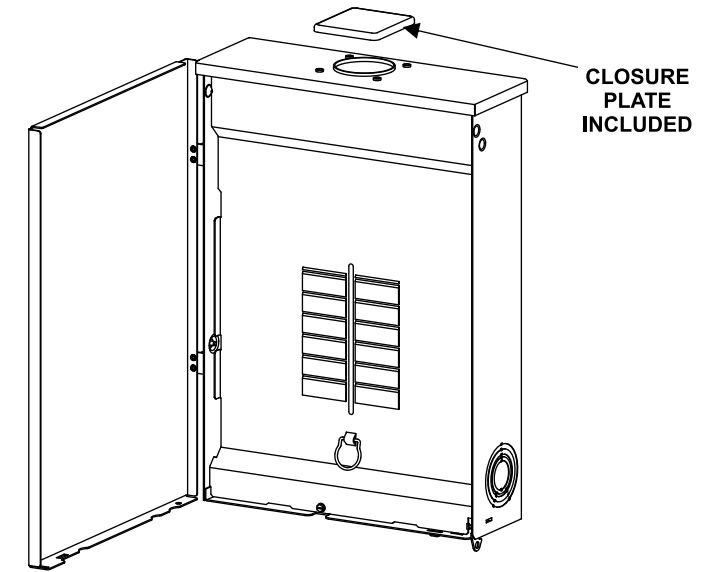
- 1 PHASE, 3 WIRE, 120/240V ~
- 100K AIC MAX. RATED (SEE WIRING DIAGRAM FOR DETAILS)
- MAIN LUG ONLY
- TYPE 3R OUTDOOR ENCLOSURE
- ANSI 61 GRAY POWDER COATED ENCLOSURE
- DESIGNED FOR USE WITH PLUG-ON NEUTRAL BREAKERS



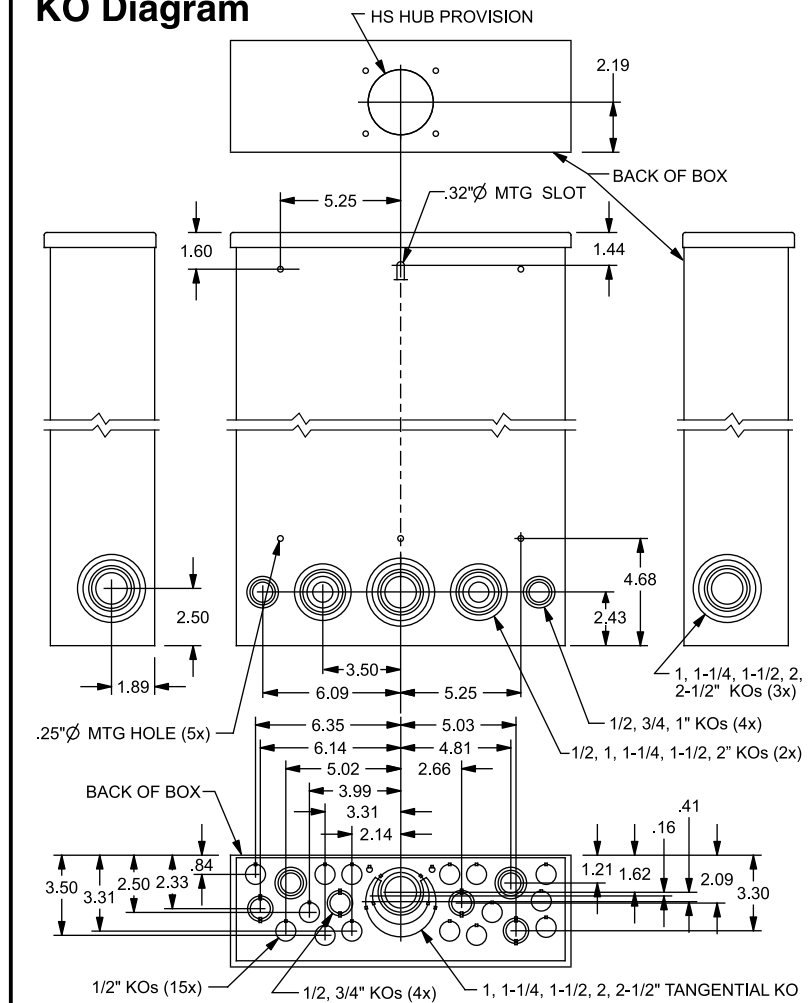
Catalog Number	ENCLOSURE DIMS (inside)			Amps Max	Number Spaces	Number Circuits	Bus Bar Material	Bus Bar Plating
	L	W	D					
SNW1224L1125	21.00	14.25	4.50	125	12	24	Aluminum	Tin Plated



Trim/Door Detail



KO Diagram



TERMINAL WIRE SIZES AND TORQUES

USE COPPER OR ALUMINUM 60°/75°C WIRE
SEE BREAKER MARKINGS FOR WIRE SIZE AND TORQUE REQUIREMENTS

TERMINALS	WIRE	TORQUE
A, B, G, N1	2/0 - 4 AWG	110 LB-INS
NEUTRAL/GROUND BARS (USE TYPE EC1GB or EC2GB GND BAR KIT ACCESSORY)	10-14 CU/10-12 AL	20 LB-INS
	8 AWG	25 LB-INS
GROUND CONDUCTORS ONLY	(2)or(3) 14 AWG	20 LB-INS
	(2) 12-10 AWG	20 LB-INS
N2 ECLK2N NEUTRAL LUG	2/0 - 4 AWG	110 LB-INS
ECLK1-2 NEUTRAL LUG KIT	2/0 - 4 AWG	45 LB-INS
ECLK2 NEUTRAL LUG KIT	2/0 - 4 AWG	135 LB-INS
MAIN LUG TO BUS CONNECTION (1/4-20 NUT)		45 LB-INS
BONDING SCREW		45 LB-INS

ACCESSORIES

REFER TO WIRING DIAGRAM FOR CORRECT ACCESSORY USAGE

DESCRIPTION	CAT. NO.
FILLER PLATE, 1"	QF3
BREAKER HOLD-DOWN/BARRIER	ECMBR2
SUBFEED LUG KIT	ECLK2125
100-125 AMP MAIN LUG KIT	ECMLK125
ARC FLASH LABEL	ECAFL
STANDBY PWR INTERLOCK KIT	ECSBPK01 ECSBPK02

DESCRIPTION	CAT. NO.
TYPE EC1GB KIT, 8 SCREWS	EC1GB8
TYPE EC1GB KIT, 8 SCREWS, 2/0 LUG	EC1GB82
TYPE EC2GB KIT, 12 SCREWS	EC2GB12
TYPE EC2GB KIT, 12 SCREWS, 2/0 LUG	EC2GB122
TYPE EC2GB KIT, 15 SCREWS	EC2GB15
TYPE EC2GB KIT, 15 SCREWS, 2/0 LUG	EC2GB152

TRADE SIZE	CAT. NO.
1 INCH	ECHS100
1-1/4 INCH	ECHS125
1-1/2 INCH	ECHS150
2 INCH	ECHS200
2-1/2 INCH	ECHS250

© 2020 Copyright Siemens Industry, Inc.

SIEMENS
Siemens Industry, Inc.

Load Center

Description: **SN Series, 1 Phase, Outdoor, 125A, 12 Pos, 24 Ckt, Main Lug**

KAM 4/24/20 DO NOT SCALE DRAWING Dwg No: **SNW1224L1125**