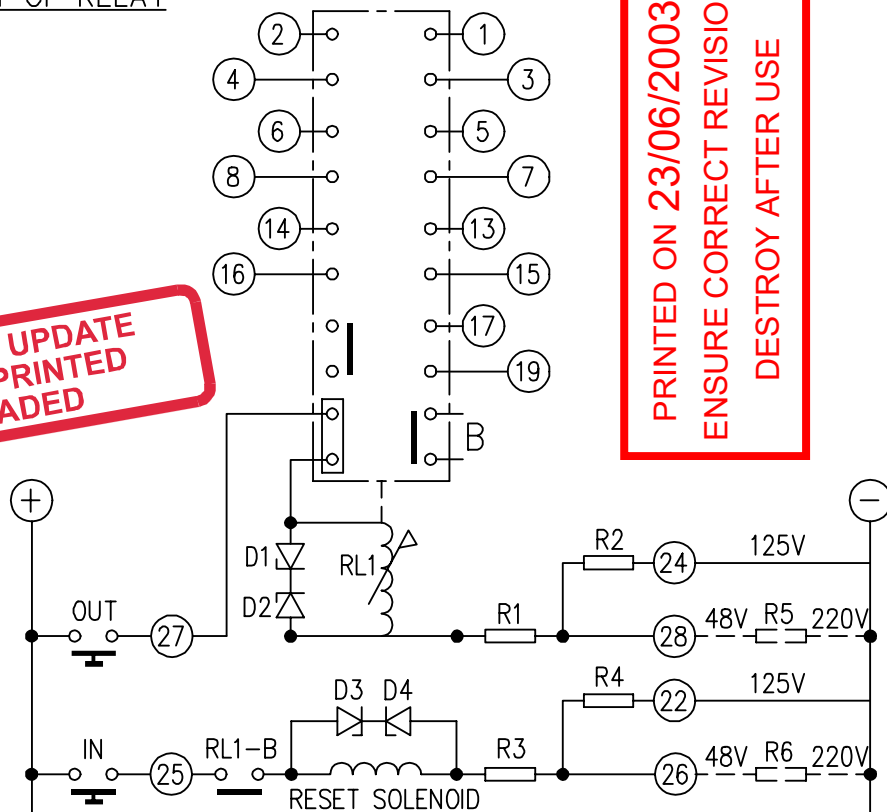


LOOKING ON FRONT OF RELAY

2112W50016

**NOT SUBJECT TO UPDATE
ONCE COPIED / PRINTED
OR DOWNLOADED**

**PRINTED ON 23/06/2003
ENSURE CORRECT REVISION
DESTROY AFTER USE**



- KEY**
- make contact
 - break contact
 - c/o contact
 - ext. conn
 - plug bridge - shorting
 - metering point
 - 5Kv barrier
 - test socket - shorting
 - plug & socket

	150R	2102C25151	1K0	2102C25102	220R	2102C35221	820R	2102C25821	3K7	ASSY 410A14132	2K3	ASSY 410A12727	2105C23750	2105C24680
	R1		R2		R3		R4		R5		R6		D1&D2	D3&D4
CONTACT CONFIG.	OUTPUT CONTACT PAIR / TERMINAL No.													
	1-3	2-4	5-7	6-8	9-11	10-12	13-15	14-16	17-19	18-20	NOTE:			
7M	M	M	M	M	/	/	M	M	M	/	1. FOR CONTACTS NOT SHOWN AS EITHER MAKE OR BREAK SEE TABLE.			
6M 1B	M	B	M	M	/	/	M	M	M	/	2. RELAY CONTACTS ARE SHOWN WITH THE MECHANISM 'IN' ie. WITH THE OPERATE ELEMENT ARMATURE OPEN.			
5M 2B	B	B	M	M	/	/	M	M	M	/				
4M 3B	B	B	M	B	/	/	M	M	M	/				
3M 4B	B	B	B	B	/	/	M	M	M	/				
2M 5B	B	B	M	M	/	/	B	B	B	/				
1M 6B	B	B	M	B	/	/	B	B	B	/				
	7B	B	B	B	/	/	B	B	B	/				

FRAME REFERENCE: E4FS06.

FRAME TERMINAL BLOCK ASSY: -

ASSEMBLY INSTRUCTIONS: -

TYPICAL ASSEMBLY DRAWING 2995G10032.

AT INDICATED POSITIONS FIT AS FOLLOWS:

T - FIT TRIP ISOLATION CONTACT 2995B10053

S - FIT STANDARD CONTACT 2995B10054

SECURE CONTACTS USING FIXING SCREW

2109F99009.

POSITIONS SHOWN BLANK ARE UNUSED

2	T	T	1
4	T	T	3
6	T	T	5
8	T	T	7
10			9
12			11
14	T	T	13
16	T	T	15
18		T	17
20		T	19
22	T		21
24	T		23
26	S	S	25
28	S	S	27

VIEW FROM NUMBERED
SIDE OF BLOCK

OUTER TERMINAL BLOCK ASSY: -

ASSEMBLY INSTRUCTIONS: -

TYPICAL ASSEMBLY DRAWING 2995G10029.

AT INDICATED POSITIONS FIT AS FOLLOWS:

S - FIT STANDARD CONTACT 2995B10051

HC - FIT 'HEAVY CURRENT' KIT 2995G10030

WHERE IS SHOWN FIT CT SHORTING

KIT 2995G10031

POSITIONS SHOWN BLANK ARE UNUSED.

ALL POSITIONS FIT SCREW 2106F12506.

2	S	S	1
4	S	S	3
6	S	S	5
8	S	S	7
10			9
12			11
14	S	S	13
16	S	S	15
18		S	17
20		S	19
22	S		21
24	S		23
26	S	S	25
28	S	S	27

VIEW FROM INSIDE
FACE

2	02/05/00	MN995/09	Title: T.B. AND WIRING DIAG. FOR TR431-7 RELAYS IN EPSILON E4 CASE.		First used on:
			Reyrolle Protection Hebburn.		Similar Articles:
ISSUE	DATE	MOD.No.	Original Scale:	Supersedes:	
DRAWN: A.LAW.			CHECKED:	APPROVED: R.D.WATSON	DATE: 16/07/02
				Drg.No. 2112W50016	
				Copyright © 1998 Reyrolle Ltd.	