

- IMPEDANCE SHOWN IS CALCULATED VALUE -
- TESTED IMPEDANCE WILL BE SHOWN ON TRANSFORMER NAMEPLATE

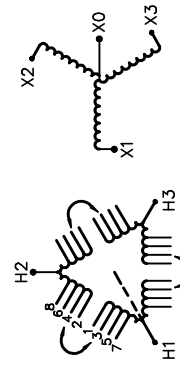
SIEMENS

CATALOG NO. 3F3Y750FLN3D16
 SERIAL NO. SERIES H
 750 kVA 60 Hz 3 PHASE
 6.7 % IMP AT 135 °C

115 °C RISE 30 °C AVG. AMBIENT
 220 °C TEMP CLASS 40 °C MAX. AMBIENT

PRIMARY (H1 H2 H3) 480 V 10kV BIL
 SECONDARY(X0 X1 X2 X3) 208Y/120 V 10kV BIL

WINDING MATERIAL AL
 ENCLOSURE TYPE 3R WEIGHT 4500LBS
 ENERGY EFFICIENCY EXCEEDS CSA D0E 10 CFR PART 431:2016
 C802.2-2012



VOLTS	CONNECT
504	1-2
492	2-3
480	3-4
468	4-5
456	5-6
444	6-7
432	7-8



TYPE K
 DRY TYPE TRANSFORMER E112313 LR 3902
 LISTED
 SEISMIC QUALIFICATIONS, FLOOR MOUNT ONLY
 OSP-0136-10 IBC, 2012/ASCE 7-10
 SDS<=2.0g Z/h=1 Ip=1.5

SPACINGS BETWEEN ANY VENTILATED ENCLOSURE PANEL AND ANY ADJACENT WALL SHALL BE A MINIMUM OF 12 INCHES. SOUND LEVEL IS 3 DB LOWER THAN NEMA ST20 REQUIREMENTS

SUITABLE FOR INDOOR OR OUTDOOR LOCATIONS BEFORE HANDLING, INSTALLING AND OPERATING, SEE INSTRUCTION MANUAL

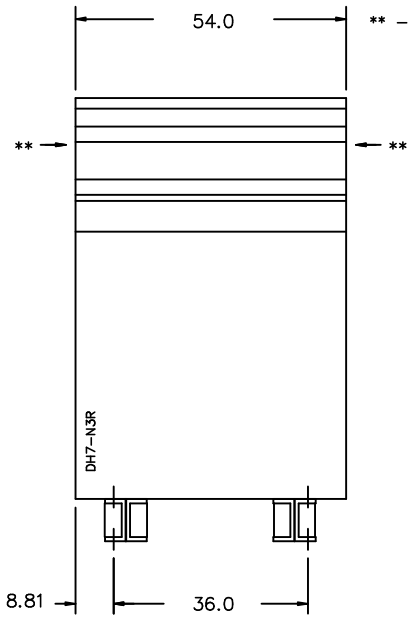
NEMA Class ANN Dry Type Transformer
 Siemens Industry, Inc. Norcross, GA dsu0086e

Siemens Industry, Inc.

REVISION	DATE	BY	DATE	BY
		DRAWN	17/08/31	MA
		CHEK'D		
		VERIF'D		

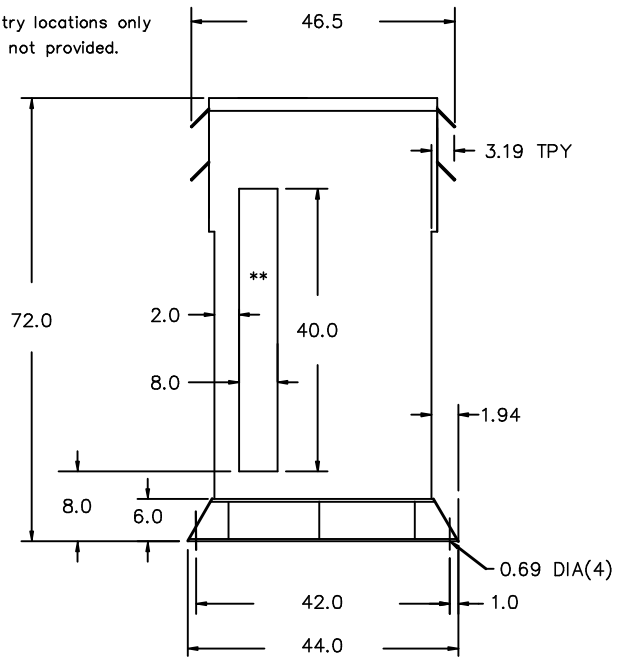
CUSTOMER	
ORDER NO.	DWG. NO.
	3F3Y750FLN3D16 SH 1 OF 3

FRONT VIEW



** - Recommended cable entry locations only
cutouts & gland plates not provided.

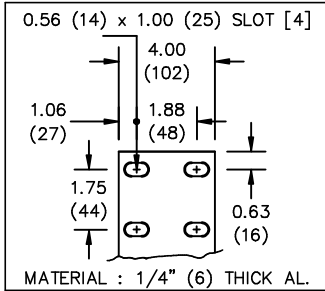
SIDE VIEW



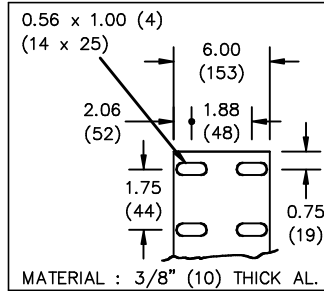
All Dimensions in inches

ENCLOSURE COLOR : ANSI 61 GREY - OUTDOOR

HV TERMINAL DETAIL



LV TERMINAL DETAIL



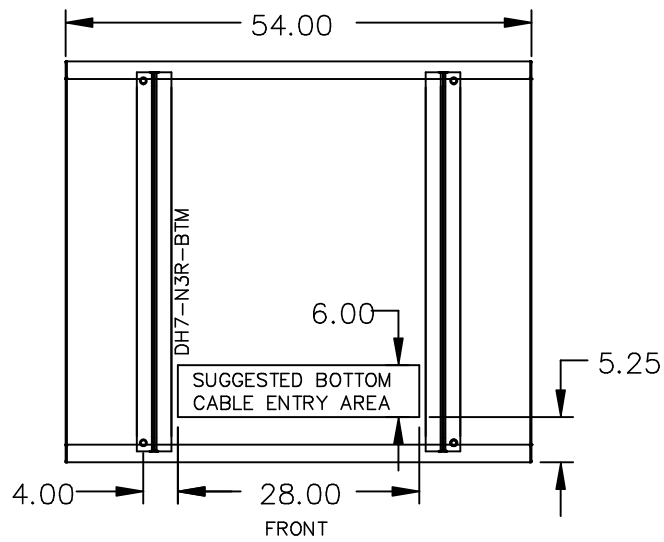
CUSTOMER NOTES:

- HV TERMINATED AT TOP FRONT
- LV TERMINATED AT BOTTOM FRONT

Siemens Industry, Inc.

REVISION	DATE	BY	DATE	BY	CUSTOMER
			17/08/31	MA	
		ORDER NO.		DWG. NO.	
				3F3Y750FLN3D16	
					SH 2 OF 3

ENCLOSURE BOTTOM VIEW



NOTE:
 WHEN BOTTOM CABLE ENTRY IS OPTED, THE SPACE USED FOR CONDUITS IN THE FRONT OF THE TRANSFORMER SHOULD NOT OBSTRUCT MORE THAN 50% OF THE FRONT AIR INTAKE AREA DEFINED BETWEEN THE BOTTOM PLATE AND THE SUPPORTING LEGS.
 SEE MANUAL FOR ADDITIONAL INFORMATION

Siemens Industry, Inc.

REVISION	DATE	BY	DATE	BY	CUSTOMER		
		DRAWN	17/08/31	MA			
		CHEK'D					
		VERIF'D					
					ORDER NO.	DWG. NO.	
						3F3Y750FLN3D16	SH 3 OF 3