

ALSO VERIFIED IN ACCORDANCE TO ENERGY STANDARD C802.2-12

SIEMENS

| | | | |
|---|--|--|---|
| <p>CATALOG NO. 3B3Y075CD16</p> <p>SERIAL NO. SERIES H</p> <p>75 kVA 60 Hz 3 PHASE</p> <p>3.6 % IMP AT 170 °C</p> | | | |
| <p>150 °C RISE</p> <p>220 °C TEMP CLASS</p> <p>PRIMARY (H1 H2 H3) 208V V 10 kV BIL</p> <p>SECONDARY(X0 X1 X2 X3) 208Y/120V V 10 kV BIL</p> | <p>°C AVG. AMBIENT</p> <p>°C MAX. AMBIENT</p> <p>208V V 10 kV BIL</p> <p>208Y/120V V 10 kV BIL</p> | <p>VOLTS</p> <p>218</p> <p>213</p> <p>208</p> <p>203</p> <p>198</p> <p>192</p> <p>187</p> | <p>CONNECT</p> <p>1</p> <p>2</p> <p>3</p> <p>4</p> <p>5</p> <p>6</p> <p>7</p> |
| <p>WINDING MATERIAL CU</p> <p>ENCLOSURE TYPE 3R WEIGHT 615 LBS</p> <p>ENERGY EFFICIENCY FACT SOR/2011-180E 10 CFR PART 431:2016</p> | | <p>TYPE K</p> <p>UL LISTED</p> <p>UL DRY TYPE TRANSFORMER E112313</p> <p>SPF LR 3902</p> | |
| <p>SPACINGS BETWEEN ANY VENTILATED ENCLOSURE PANEL AND ANY ADJACENT WALL SHALL BE A MINIMUM OF 5 INCHES EXCEPT WHEN WALL MOUNTED USING APPROVED WALL MOUNTING KIT</p> | | <p>SEISMIC QUALIFICATIONS, FLOOR MOUNT ONLY</p> <p>OSP-0136-10 IBC 2012/ASCE 7-10</p> <p>SDS<=2.0g Z/h=1 Ip=1.5</p> | |
| <p>SUITABLE FOR INDOOR OR OUTDOOR LOCATIONS BEFORE HANDLING, INSTALLING AND OPERATING, SEE INSTRUCTION MANUAL</p> | | <p>NEMA Class ANN Dry Type Transformer Siemens Industry, Inc. Norcross, GA dsu0086e</p> | |



| REVISION | DATE | BY | DATE | BY |
|-----------------------------|----------|--------|----------|----|
| | | DRAWN | 15/11/08 | PP |
| | | CHEK'D | | |
| 1 ADDED ENCL BOTTOM DRAWING | 17/04/03 | JW | VERIF'D | |

| | | |
|------------------------|-------------|-----------|
| Siemens Industry, Inc. | | |
| CUSTOMER | | |
| ORDER NO. | DWG. NO. | 1 |
| | 3B3Y075CD16 | SH 1 OF 3 |



All Dimensions in inches

ENCLOSURE COLOR :ANSI 61 GREY – OUTDOOR

H.V.1. TERMINAL DETAIL

L.V.1. TERMINAL DETAIL

MECHANICAL TYPE LUGS INCLUDED
SUITABLE FOR 600MCM-2 CU/AL
CONDUCTORS
1 CONDUCTOR PER PHASE

MECHANICAL TYPE LUGS INCLUDED
SUITABLE FOR 600MCM-2 CU/AL
CONDUCTORS
1 CONDUCTOR PER PHASE

CUSTOMER NOTES:

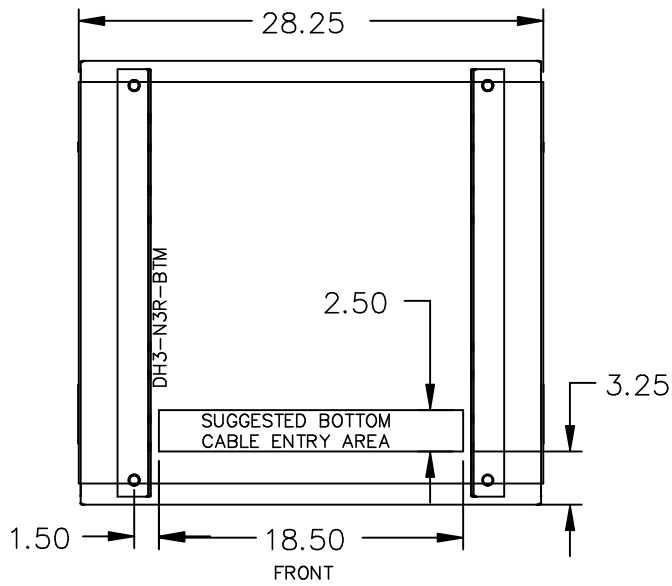
- HV1 TERMINATED AT TOP FRONT
- LV1 TERMINATED AT BOTTOM FRONT

Siemens Industry, Inc.

| | | | | | |
|-----------------------------|----------|----|----------|---------|--------------------------------|
| REVISION | DATE | BY | DATE | BY | CUSTOMER |
| | | | 15/11/08 | PP | |
| | | | | | |
| 1 ADDED ENCL BOTTOM DRAWING | 17/04/03 | JW | | VERIF'D | ORDER NO. DWG. NO. 1 |
| | | | | | 3B3Y075CD16 SH 2 OF 3 |

1.1 jwen 2017/07/17 13:19

ENCLOSURE BOTTOM VIEW



NOTE:
 WHEN BOTTOM CABLE ENTRY IS OPTED, THE SPACE USED FOR CONDUITS IN THE FRONT OF THE TRANSFORMER SHOULD NOT OBSTRUCT MORE THAN 50% OF THE FRONT AIR INTAKE AREA DEFINED BETWEEN THE BOTTOM PLATE AND THE SUPPORTING LEGS.
 SEE MANUAL FOR ADDITIONAL INFORMATION

Siemens Industry, Inc.

| REVISION | DATE | BY | DATE | BY | CUSTOMER | | |
|----------|---------------------------|----------|----------|---------|-------------|----------|-----------|
| | | | 15/11/08 | PP | | | |
| | | | CHEK'D | | | | |
| 1 | ADDED ENCL BOTTOM DRAWING | 17/04/03 | JW | VERIF'D | | | |
| | | | | | ORDER NO. | DWG. NO. | 1 |
| | | | | | 3B3Y075CD16 | | SH 3 OF 3 |