

Catalog Numbers

| Catalog No. | Amperage Rating | Max. Interrupting Rating |
|---|-----------------|--------------------------|
| 1 PHASE, 3 WIRE, 120/240V AC MAX | | |
| WB1450B | 450 | 65,000 |
| WB1450BU | 450 | 100,000 |
| WB1500B | 500 | 65,000 |
| WB1500BU | 500 | 100,000 |
| WB1600B | 600 | 65,000 |
| WB1600BU | 600 | 100,000 |



- TYPE 3R OUTDOOR ENCLOSURE
- MAIN BUS RATING: 1200A MAX., 240V AC Max.
- 1 PHASE
- FOR UNDERGROUND SERVICE ONLY
- MOUNTING RAILS AND ADJUSTABLE BRACKETS FOR SECURE MOUNTING

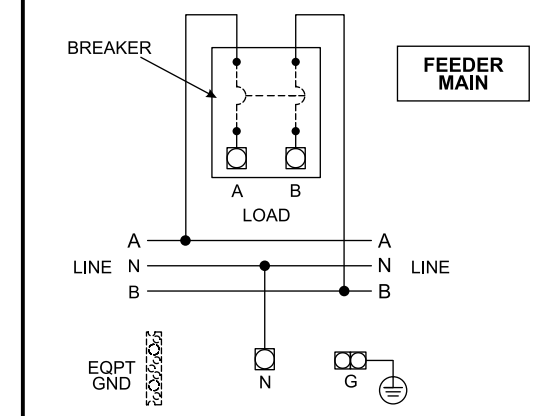
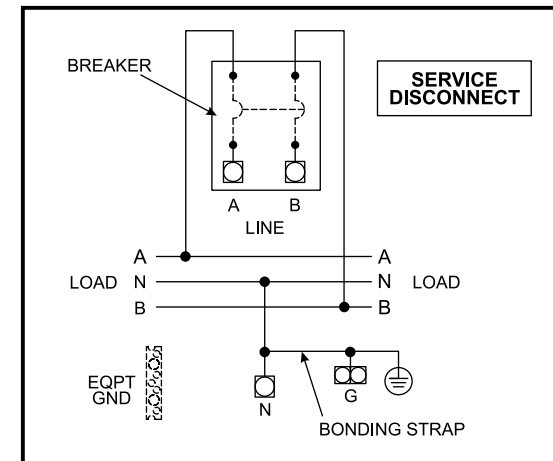
Additional Modules

IMPORTANT - for use with:

| Module Description | Siemens Series# |
|--------------------|--|
| Main Breakers | WB(M), WEB(M), WXB, BFT |
| Switches | WMP, WS, WES, WXS |
| Tap/Terminal Boxes | WTB, WET, WT, PU, WTBN, WBT |
| Pull Boxes | WMMB |
| Meter Module | (W)MM, (W)MT, (W)ML, (W)MK, (W)MLZ(F), (W)MN |
| Meter Combinations | WC, WCL, WCT, |
| Extension Box | WSP, WSPD |
| Bussed Elbow | BE, WELB |

| Connect Modules Using: | Catalog Number / Torque |
|------------------------|---|
| QuickConnect | QC1, Torque 400-440 lb-in (35-36 ft.-lb.) |

Schematic



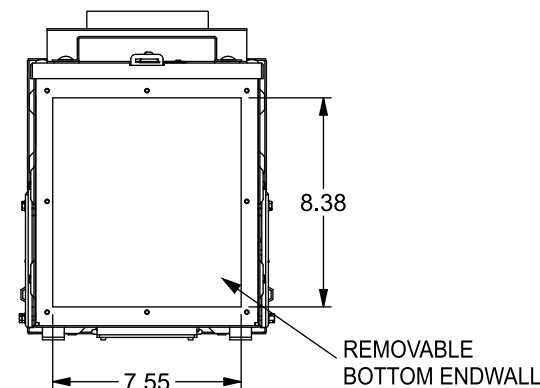
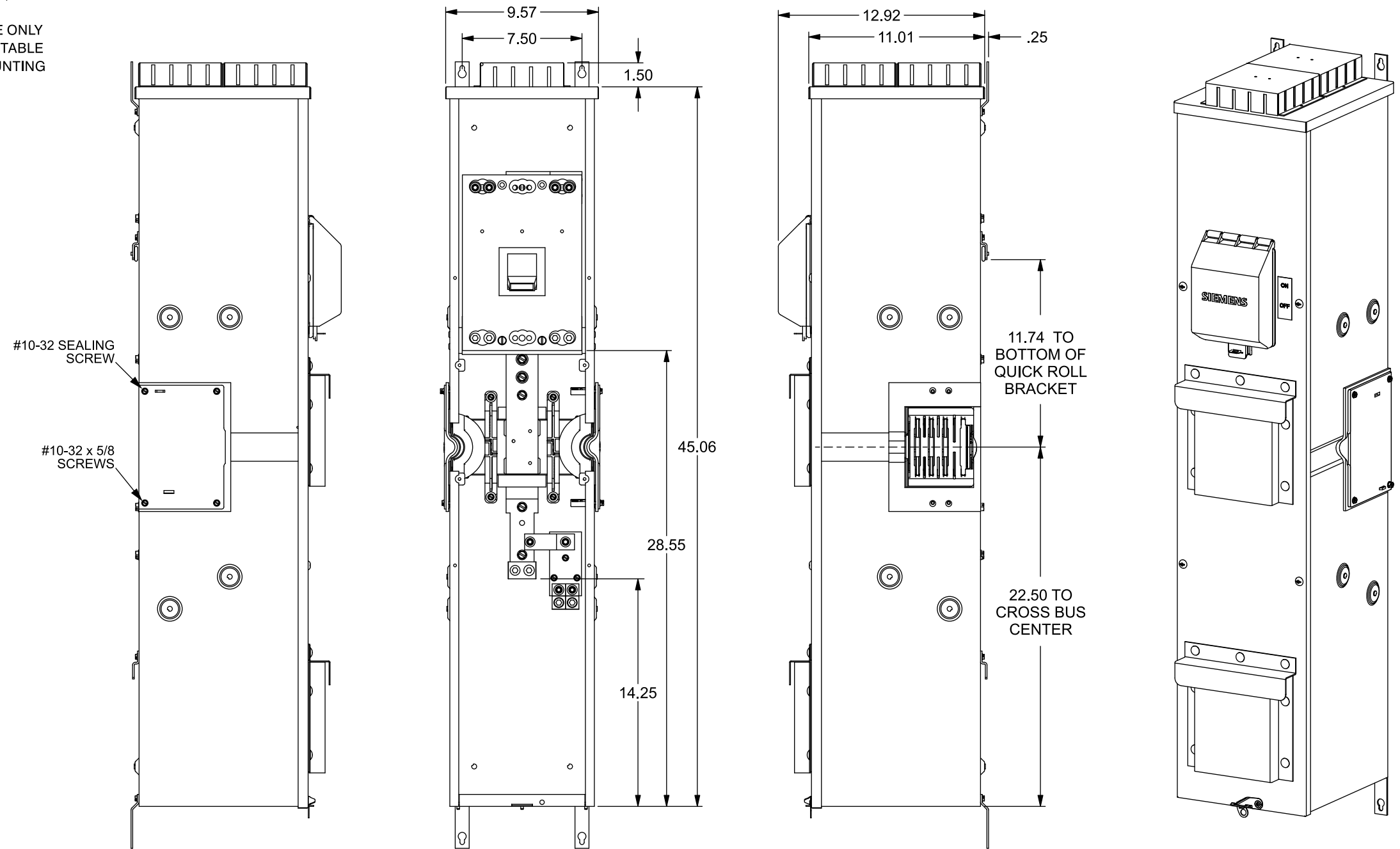
Terminals A, B, and N:
Wire size (2) 3/0-500 kcmil CU or (2) 4/0-500 kcmil AL.
Torque terminals to 300 lb-in.
Ground terminal G:
Wire size #4-300 kcmil. Torque terminal to 250 lb.-in.

Accessories

| Equip Ground Acc'y | Cat. No. | ECLX069M |
|--------------------------|---------------------|--------------------------|
| Small Terminals | Wire Range / Torque | Large Terminals |
| 10-14 AWG 20 lb-in | | 10-14 AWG 35 lb-in |
| 8 AWG 25 lb-in | | 8 AWG 40 lb-in |
| 6 AWG 35 lb-in | | 1/0-6 AWG . 45 lb-in |

| | |
|---|--|
| Ground Bar Kit | ECLX069M |
| Ground Lug Kit (3 Position) | ECGLK3300, (3) #6-300kcmil, Torque 250 lb-in |
| Ground Lug Kit (6 Position) | ECGLK6300, (6) #6-300kcmil, Torque 250 lb-in |
| Breaker Lug Kit (factory installed) . . | LK12500 (kit includes 3 lugs) |

FRONT VIEW SHOWN WITH COVER AND SHIELDS REMOVED



© 2018 Copyright Siemens Industry, Inc.

SIEMENS
Siemens Industry, Inc.

PowerMod™ Breaker Mains
Description: **450-600A, 1 Phase, Bottom Feed Skinny Mains**

KAM 8/6/18 DO NOT SCALE DRAWING Dwg. No. **WB1450B-WB1600BU**