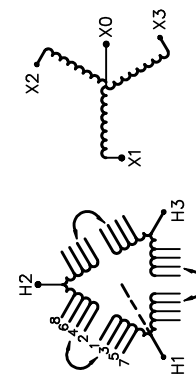


REVISION	DATE	BY	DATE	BY
		DRAWN	17/06/02	RM
		CHEK'D		
		VERIF'D		

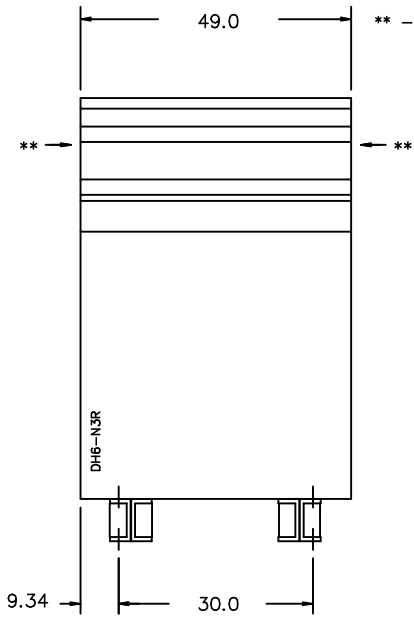
Siemens Industry, Inc.	
CUSTOMER	
ORDER NO.	DWG. NO.
	3F3Y500K4BCD16 SH 1 OF 3

SIEMENS

<p>CATALOG NO. 3F3Y500K4BCD16</p> <p>SERIAL NO. SERIES H</p> <p>500 kVA 60 Hz 3 PHASE</p> <p>5.3 % IMP AT 100 °C</p> <p>80 °C RISE 30 °C AVG. AMBIENT</p> <p>220 °C TEMP CLASS 40 °C MAX. AMBIENT</p> <p>PRIMARY (H1 H2 H3) 480 V 10 kV BIL</p> <p>SECONDARY(X0 X1 X2 X3) 208Y/120 V 10 kV BIL</p> <p>WINDING MATERIAL CU</p> <p>ENCLOSURE TYPE 3R WEIGHT 3500LBS</p> <p>ENERGY EFFICIENCY EXCEEDS CSA C802.2-2012 DOE 10 CFR PART 431:2016</p> <p>SPACINGS BETWEEN ANY VENTILATED ENCLOSURE PANEL AND ANY ADJACENT WALL SHALL BE A MINIMUM OF 12 INCHES ELECTROSTATIC SHIELD</p> <p>SUITABLE FOR NONSINUSOIDAL CURRENT LOAD WITH K-FACTOR NOT TO EXCEED K-4 SUITABLE FOR INDOOR OR OUTDOOR LOCATIONS BEFORE HANDLING, INSTALLING AND OPERATING, SEE INSTRUCTION MANUAL</p> <p>NEMA Class ANN Dry Type Transformer Siemens Industry, Inc. Norcross, GA <small>dsu0087e</small></p>	 <p>VOLTS 504 492 480 468 456 444 432</p> <p>CONNECT 1-2 2-3 3-4 4-5 5-6 6-7 7-8</p>	<p>TYPE K</p> <p>UL LISTED UL E112313 DRY TYPE TRANSFORMER</p> <p>SP® LR 3902</p> <p>SEISMIC QUALIFICATIONS, FLOOR MOUNT ONLY OSP-0136-10 IBC 2012/ASCE 7-10 SDS<=2.0g Z/h=1 Ip=1.5</p>
--	---	--

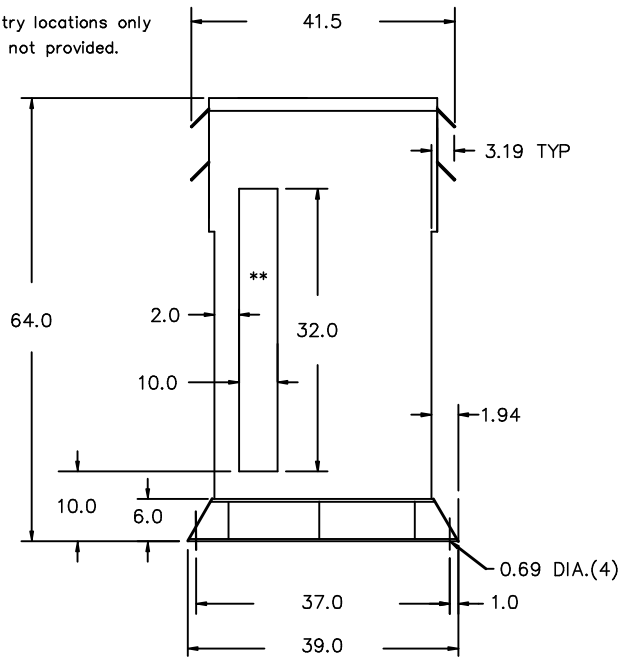


FRONT VIEW



** - Recommended cable entry locations only
cutouts & gland plates not provided.

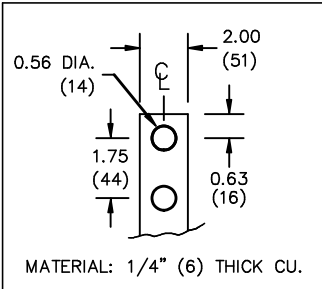
SIDE VIEW



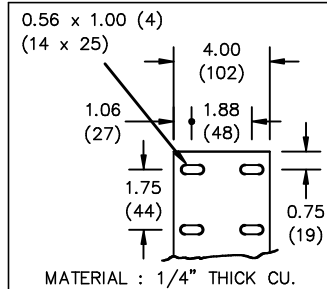
All Dimensions in inches

ENCLOSURE COLOR : ANSI 61 GREY - OUTDOOR

HV TERMINAL DETAIL



LV TERMINAL DETAIL



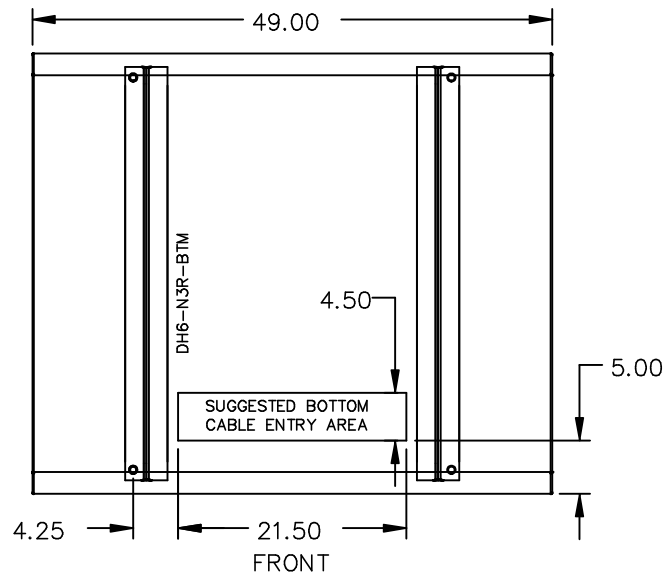
CUSTOMER NOTES:

- HV TERMINATED AT TOP FRONT
- LV TERMINATED AT BOTTOM FRONT
- 200% RATED NEUTRAL XO HAS TWO TERMINALS, DIVIDE CABLES EVENLY

Siemens Industry, Inc.

REVISION	DATE	BY	DATE	BY	CUSTOMER
			17/06/02	RM	
			CHEK'D		
			VERIF'D		
ORDER NO.		DWG. NO.			
		3F3Y500K4BCD16		SH 2 OF 3	

ENCLOSURE BOTTOM VIEW



NOTE:
 WHEN BOTTOM CABLE ENTRY IS OPTED, THE SPACE USED FOR CONDUITS IN THE FRONT OF THE TRANSFORMER SHOULD NOT OBSTRUCT MORE THAN 50% OF THE FRONT AIR INTAKE AREA DEFINED BETWEEN THE BOTTOM PLATE AND THE SUPPORTING LEGS.
 SEE MANUAL FOR ADDITIONAL INFORMATION

Siemens Industry, Inc.

REVISION	DATE	BY	DATE	BY	CUSTOMER
			17/06/02	RM	ORDER NO. DWG. NO. 3F3Y500K4BCD16 SH 3 OF 3