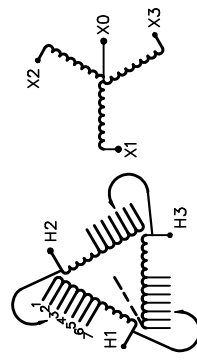


REVISION	DATE	BY	DATE	BY
			19/03/25	RM

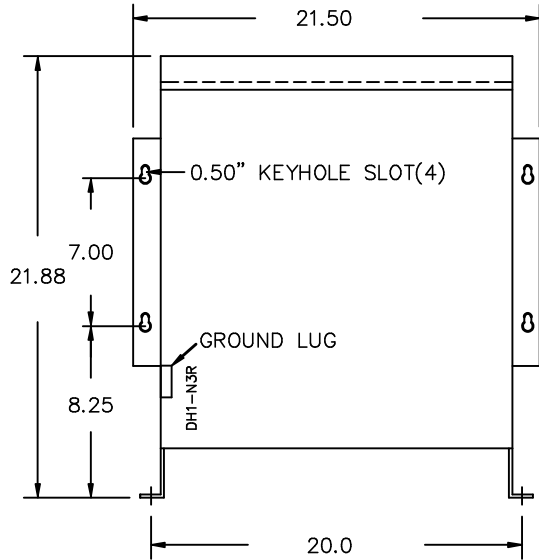
CUSTOMER	
ORDER NO.	DWG. NO.
	3F5Y015FCD16
	SH 1 OF 3

# SIEMENS

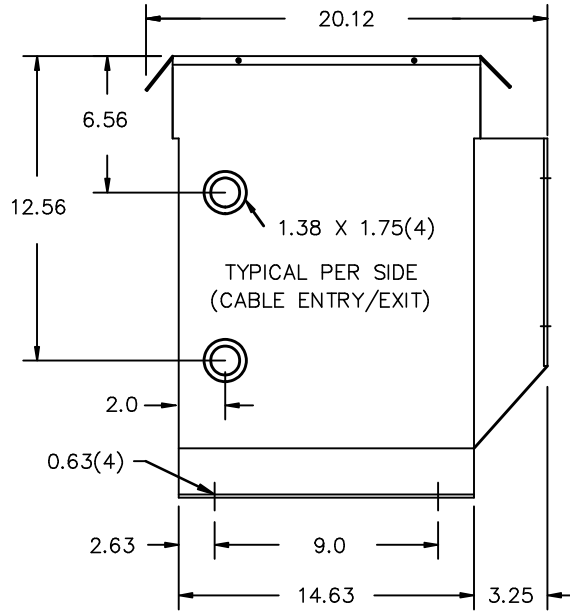
<p>CATALOG NO. 3F5Y015FCD16  SERIAL NO. SERIES H  15 kVA 60 Hz 3 PHASE  3.4 % IMP AT 135 °C</p> <p>115 °C RISE 30 °C AVG. AMBIENT  220 °C TEMP CLASS 40 °C MAX. AMBIENT</p> <p>PRIMARY ( H1 H2 H3 ) 480 V 10 kV BIL  SECONDARY( X0 X1 X2 X3 ) 480Y/277 V 10 kV BIL</p> <p>WINDING MATERIAL CU  ENCLOSURE TYPE 3R WEIGHT 225 LBS  ENERGY EFFICIENCY EXCEEDS CSA D0E 10 CFR PART 431:2016  C802.2-2012</p> <p>SPACINGS BETWEEN ANY VENTILATED ENCLOSURE PANEL AND ANY ADJACENT WALL SHALL BE A MINIMUM OF 3 INCHES</p>	 <p>VOLTS CONNECT</p> <table border="0"> <tr><td>1</td><td>2</td><td>3</td><td>4</td><td>5</td><td>6</td><td>7</td></tr> </table> <p>TYPE K</p> <p><b>UL</b> LISTED  DRY TYPE TRANSFORMER  E112313 LR 3902</p> <p>SEISMIC QUALIFICATIONS, FLOOR MOUNT ONLY  OSP-0136-10 IBC 2012/ASCE 7-10  SDS&lt;=2.0g Z/h=1 Ip=1.5</p>	1	2	3	4	5	6	7
1	2	3	4	5	6	7		



FRONT VIEW



SIDE VIEW



All Dimensions in inches

ENCLOSURE COLOR : ANSI-61 GREY PAINT OUTDOOR

HV TERMINAL DETAIL

LV TERMINAL DETAIL

MECHANICAL TYPE LUGS INCLUDED  
SUITABLE FOR #14-2 CU/AL  
CONDUCTORS  
1 CONDUCTOR PER PHASE

MECHANICAL TYPE LUGS INCLUDED  
SUITABLE FOR #14-2 CU/AL  
CONDUCTORS  
1 CONDUCTOR PER PHASE

CUSTOMER NOTES:

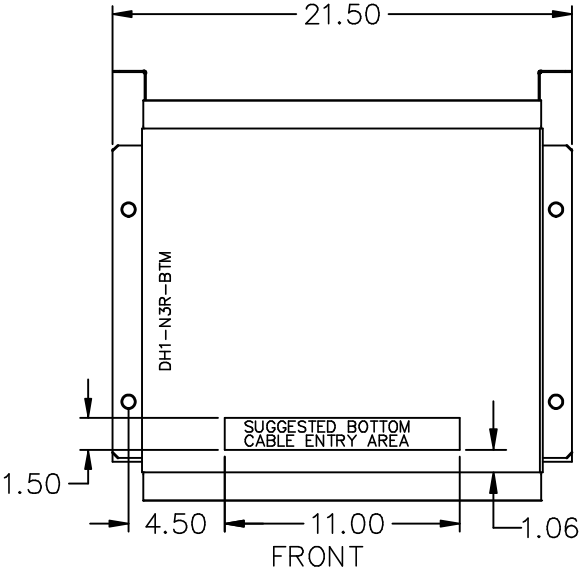
- HV TERMINATED AT TOP FRONT
- LV TERMINATED AT BOTTOM FRONT

Siemens Industry, Inc.

REVISION	DATE	BY	DATE	BY
		DRAWN	19/03/25	RM
		CHEK'D		
		VERIF'D		

CUSTOMER		
ORDER NO.	DWG. NO.	
	3F5Y015FCD16	SH 2 OF 3

ENCLOSURE BOTTOM VIEW



NOTE:  
 WHEN BOTTOM CABLE ENTRY IS OPTED, THE SPACE USED FOR CONDUITS IN THE FRONT OF THE TRANSFORMER SHOULD NOT OBSTRUCT MORE THAN 50% OF THE FRONT AIR INTAKE AREA DEFINED BETWEEN THE BOTTOM PLATE AND THE SUPPORTING LEGS.  
 SEE MANUAL FOR ADDITIONAL INFORMATION

Siemens Industry, Inc.

REVISION	DATE	BY	DATE	BY
		DRAWN	19/03/25	RM
		CHEK'D		
		VERIF'D		

CUSTOMER		
ORDER NO.	DWG. NO.	
	3F5Y015FCD16	SH 3 OF 3