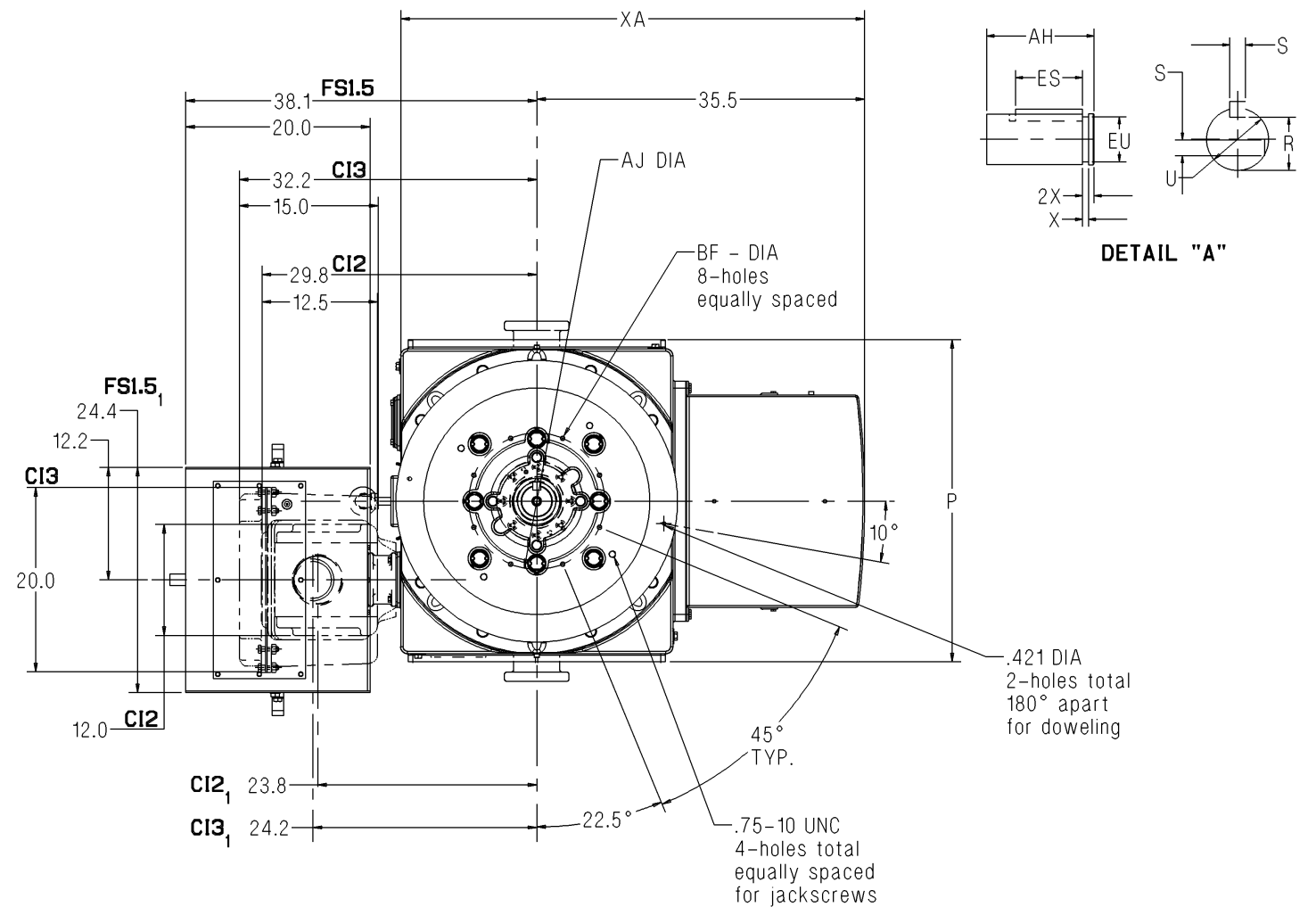
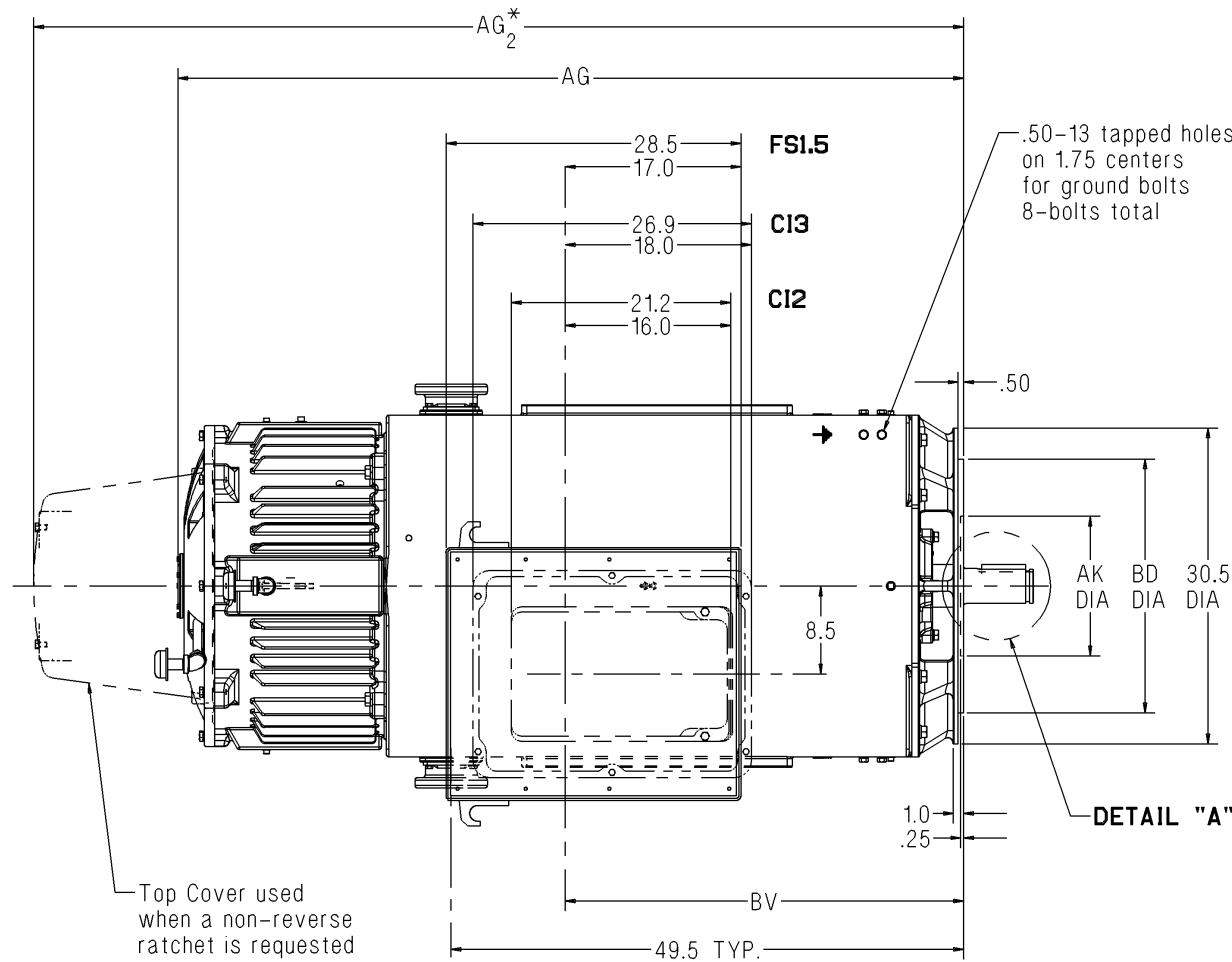


SIEMENS

Dimension Prints for Above NEMA Motors

Type CGV – Vertical Solid Shaft – Open Drip Proof / Weather Protected Type I
 P Flange – Anti-Friction Bearing
 Frame 500 – 4 Pole & Slower – Rotatable Main Conduit Box



Notes:

1. Main conduit box may be rotated in steps of 90°.
 A removable bottom plate is supplied on the FS1.5 conduit box.
 A 5.0 N.P.T. is supplied on both the CI2 and CI3 conduit boxes.
 A 3.0" spacer is supplied on the 500 frame for the FS1.5 conduit box.
2. AG* = Length of motor from mounting face to end of top cover when a non-reverse ratchet is requested.
3. Machines may rotate in either direction, except when non-reverse ratchet is specified.
4. Adding a rotating labyrinth seal to the drive end does not change any dimensions.

Standard Dimensions in Inches

Frame	AG	AG* ₂	Standard										Alternate				Approx. Ship Wt. (Lbs)				
			AH	BV	ES	EU	R	S	U	X	P	XA	BD	AJ	AK	BF					
500	75.9	92.0	6.75	38.5	4.25	3.000	2.880	0.875	3.375	0.375	35.0	50.3	30.5	26.0	22.0	0.812	24.5	14.75	13.5	0.812	6900

Certification: Customer _____ P.O. _____ S.O. _____ Item _____
 HP _____ RPM _____ Frame _____ PH/HZ/Volts 3/_____/_____
 By _____ Date _____ Terminal Box Size CI2 CI3 FS1.5
 Comments _____
 Not for construction, installation or application purposes unless certified.

CGV_500_4plusPL_AF_ROT
 Revision 02
 02/06/09