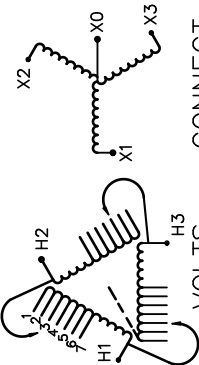


REVISION	DATE	BY	DATE	BY
		DRAWN	06/12/01	JW
		CHEK'D		
		VERIF'D		

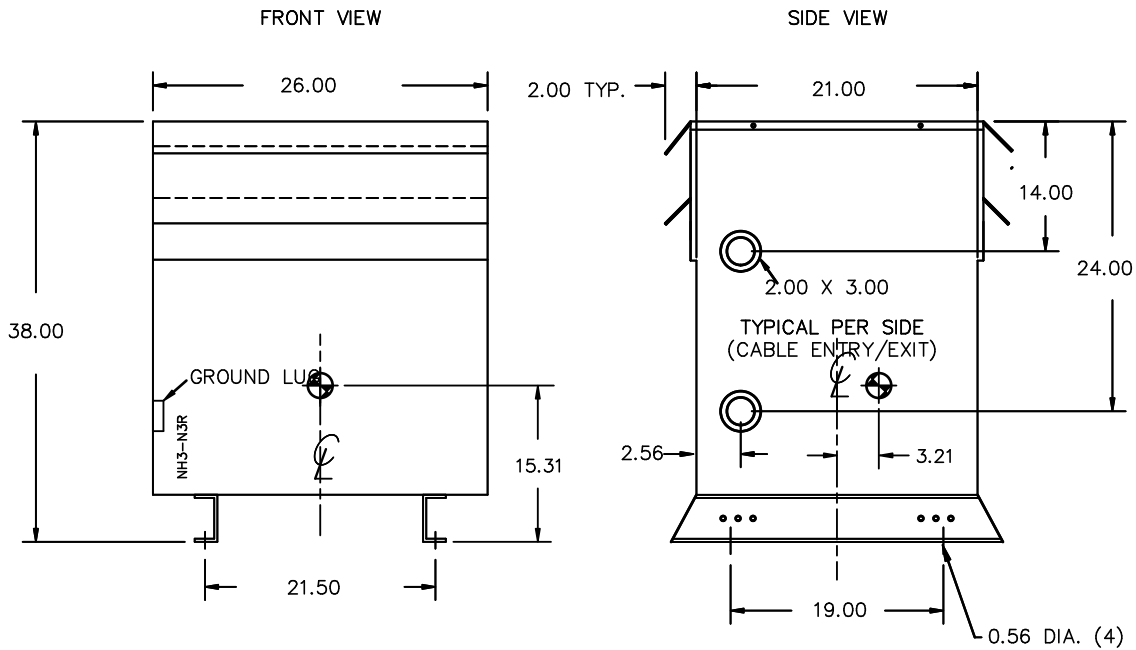
Confidential - Property of Siemens Industry, Inc.	
CUSTOMER	
ORDER NO.	DWG. NO.
	3F3Y075K4FCTP1
	SH 1 OF 2

SIEMENS

<p>CATALOG NO. 3F3Y075K4FCTP1</p> <p>SERIAL NO. SERIES H</p> <p>75 kVA 60 Hz 3 PHASE</p> <p>4.1 % IMP AT 135 °C</p> <p>115 °C RISE °C AVG. AMBIENT</p> <p>220 °C TEMP CLASS °C MAX. AMBIENT</p> <p>PRIMARY (H1 H2 H3) 480V V</p> <p>SECONDARY(X0 X1 X2 X3) 208Y/120V V</p> <p>WINDING MATERIAL CU</p> <p>ENCLOSURE TYPE NEMA-3R WEIGHT 680 LBS</p> <p>ENERGY EFFICIENCY CSA C802.2-00 NEMA TP 1-2002</p> <p>SPACINGS BETWEEN ENCLOSURE AND ANY ADJACENT WALL SHALL BE A MINIMUM OF 6 INCHES</p> <p>ELECTROSTATIC SHIELD</p> <p>SUITABLE FOR NON-SINUSOIDAL CURRENT LOAD WITH A K-FACTOR NOT TO EXCEED 4</p> <p>SUITABLE FOR INDOOR OR OUTDOOR LOCATIONS BEFORE HANDLING, INSTALLING AND OPERATING; SEE INSTRUCTION MANUAL</p> <p>NEMA Class ANN Dry Type Transformer Siemens Industry, Inc. Norcross, GA <small>dsu0082e</small></p>	 <p>VOLTS</p> <p>504</p> <p>492</p> <p>480</p> <p>468</p> <p>456</p> <p>444</p> <p>432</p> <p>CONNECT</p> <p>1</p> <p>2</p> <p>3</p> <p>4</p> <p>5</p> <p>6</p> <p>7</p>	<p>TYPE K</p> <p>DRY TYPE TRANSFORMER</p> <p>UL LISTED</p> <p>77U5 E112313</p> <p>SA LR 3902</p>
---	---	--



3F3Y075K4FCTP1



All Dimensions in inches

ENCLOSURE COLOR :ANSI 61 GREY- OUTDOOR

H.V.1. TERMINAL DETAIL

L.V.1. TERMINAL DETAIL

MECHANICAL TYPE LUGS INCLUDED
SUITABLE FOR #2/0-14 CU/AL
CONDUCTORS
1 CONDUCTOR PER PHASE

MECHANICAL TYPE LUGS INCLUDED
SUITABLE FOR 600MCM-2 CU/AL
CONDUCTORS
1 CONDUCTOR PER PHASE

CUSTOMER NOTES:

- HV1 TERMINATED AT TOP FRONT
- LV1 TERMINATED AT BOTTOM FRONT
- CG IS APPROXIMATE

Confidential - Property of
Siemens Industry, Inc.

REVISION	DATE	BY	DATE	BY
		DRAWN	06/12/01	JW
		CHEK'D		
		VERIF'D		

CUSTOMER

ORDER NO.

DWG. NO.

3F3Y075K4FCTP1

SH 2 OF 2