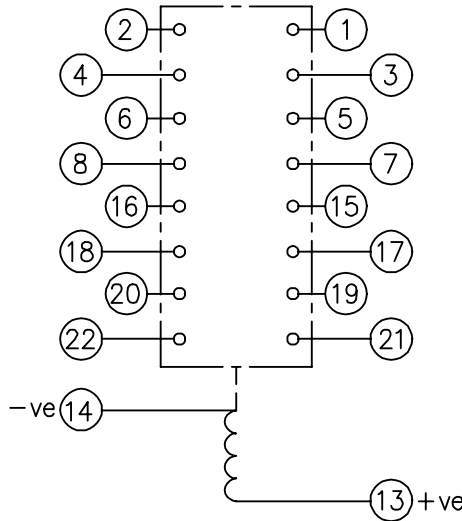


LOOKING ON FRONT OF RELAY



NOT SUBJECT TO UPDATE
ONCE COPIED / PRINTED
OR DOWNLOADED

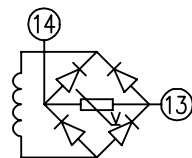
PRINTED ON 23/06/2003
ENSURE CORRECT REVISION
DESTROY AFTER USE

KEY

- make contact
- break contact
- c/o contact
- ext. conn
- plug bridge - shorting
- metering point
- 5kv barrier
- test socket - shorting
- plug & socket

CONTACT CONFIG.	OUTPUT CONTACT PAIR / TERMINAL No.									
	1-3	2-4	5-7	6-8	9-11	10-12	15-17	16-18	19-21	20-22
8M	M	M	M	M	/	/	M	M	M	M
7M 1B	M	M	M	M	/	/	M	B	M	M
6M 2B	M	B	M	M	/	/	M	B	M	M
5M 3B	M	B	M	M	/	/	B	B	M	M
4M 4B	B	B	M	M	/	/	B	B	M	M
3M 5B	B	B	M	M	/	/	B	B	M	B
2M 6B	B	B	M	B	/	/	B	B	M	B
1M 7B	B	B	M	B	/	/	B	B	B	B
8B	B	B	B	B	/	/	B	B	B	B

NOTE: WHEN RECTIFIER IS SPECIFIED COIL CONNS. ARE AS SHOWN.



FRAME REFERENCE: E2FAQQ.
 FRAME TERMINAL BLOCK ASSY: -
 ASSEMBLY INSTRUCTIONS: -
 TYPICAL ASSEMBLY DRAWING 2995G10032.
 AT INDICATED POSITIONS FIT AS FOLLOWS:
 T - FIT TRIP ISOLATION CONTACT 2995B10053
 S - FIT STANDARD CONTACT 2995B10054
 SECURE CONTACTS USING FIXING SCREW 2109F99009.
 POSITIONS SHOWN BLANK ARE UNUSED

2	T	T	1
4	T	T	3
6	T	T	5
8	T	T	7
10			9
12			11
14	S	S	13
16	T	T	15
18	T	T	17
20	T	T	19
22	T	T	21
24			23
26			25
28			27

VIEW FROM NUMBERED SIDE OF BLOCK

OUTER TERMINAL BLOCK ASSY: -
 ASSEMBLY INSTRUCTIONS: -
 TYPICAL ASSEMBLY DRAWING 2995G10029.
 AT INDICATED POSITIONS FIT AS FOLLOWS:
 S - FIT STANDARD CONTACT 2995B10051
 HC - FIT 'HEAVY CURRENT' KIT 2995G10030
 WHERE IS SHOWN FIT CT SHORTING KIT 2995G10031
 POSITIONS SHOWN BLANK ARE UNUSED.
 ALL POSITIONS FIT SCREW 2106F12506.

2	S	S	1
4	S	S	3
6	S	S	5
8	S	S	7
10			9
12			11
14	S	S	13
16	S	S	15
18	S	S	17
20	S	S	19
22	S	S	21
24			23
26			25
28			27

VIEW FROM INSIDE FACE

1	17/03/99	MOD.No.	Title. T.B. AND W.D. FOR AR1-1/1-2 8 CONT. RELAYS IN EPSILON E2 CASE.	First used on:	Original Scale.
			Reyrolle Protection Hebburn.	Supersedes:	
ISSUE	DATE	MOD.No.	APPROVED: R.D.WATSON	DATE: 16/07/02	2112W50029
DRAWN: A.LAW. CHECKED:			Copyright © 1998 Reyrolle Ltd.		