

Catalog Number: 9810-8545

Features and Ratings

- Ringless Type Meter Socket
- 400A CU / 395 AL Continuous, 300V AC
- Outdoor Enclosure (NEMA Type 3R)
- Painted Steel Enclosure
- 1 Phase, 3-Wire
- Meter Socket Type K-4UT
- For Overhead & Underground Service
- 3-1/2" HD Type Hub Installed

Accessories

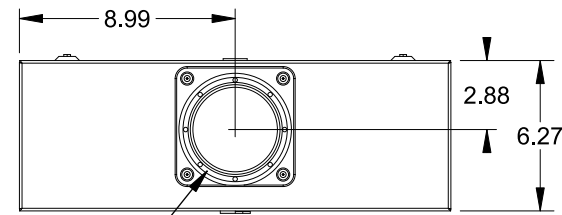
CONDUIT HUBS (HD Type)	
TRADE SIZE	CATALOG No.
3 INCH	EC56856 or H56856-2
3-1/2 INCH	EC56857 or H56857-2
4 INCH	EC56858 or H56858-2
Hub Cover Plate	EC56933 or H56933S

K4 Lexan Shield **K4 Manual Bypass**
 Cat No: 5007400-K Cat No: H56495

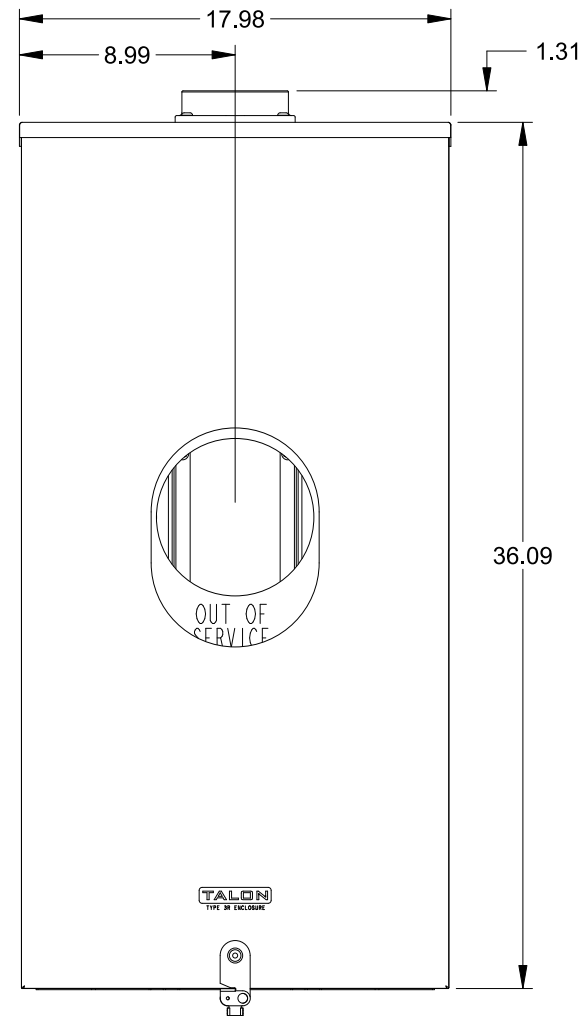
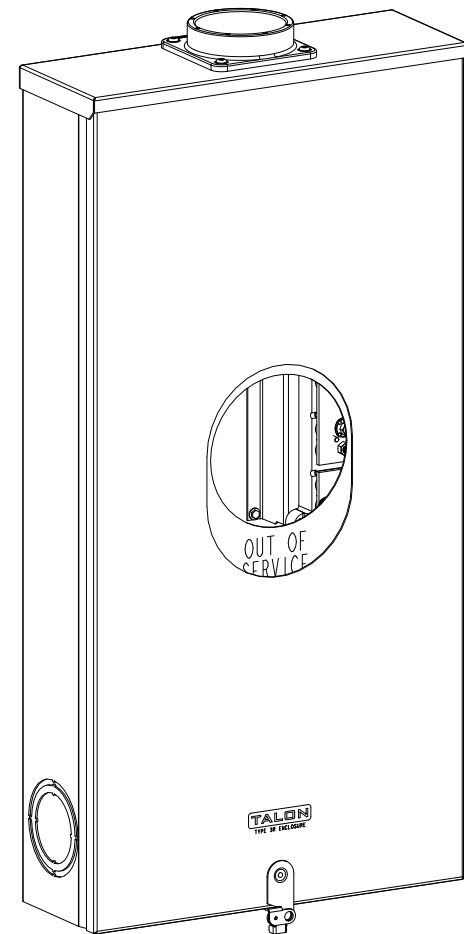
Blank Sliding Cover
 Steel - Cat. No: HA-300529-3
 Aluminum - Cat. No: HA-300529-4

Connectors, Wire Sizes and Torques

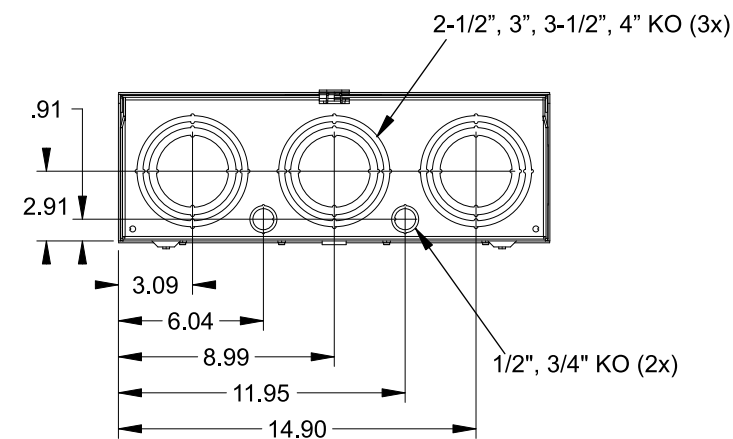
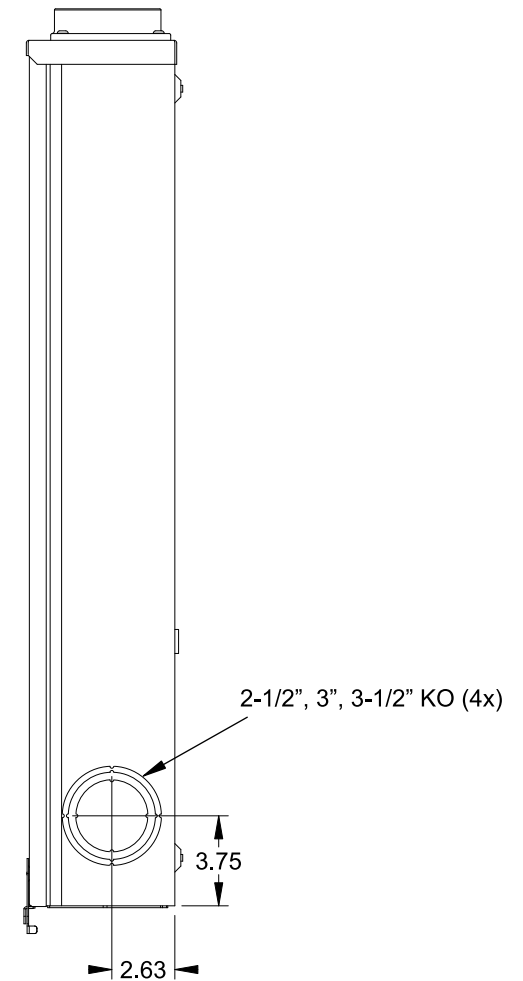
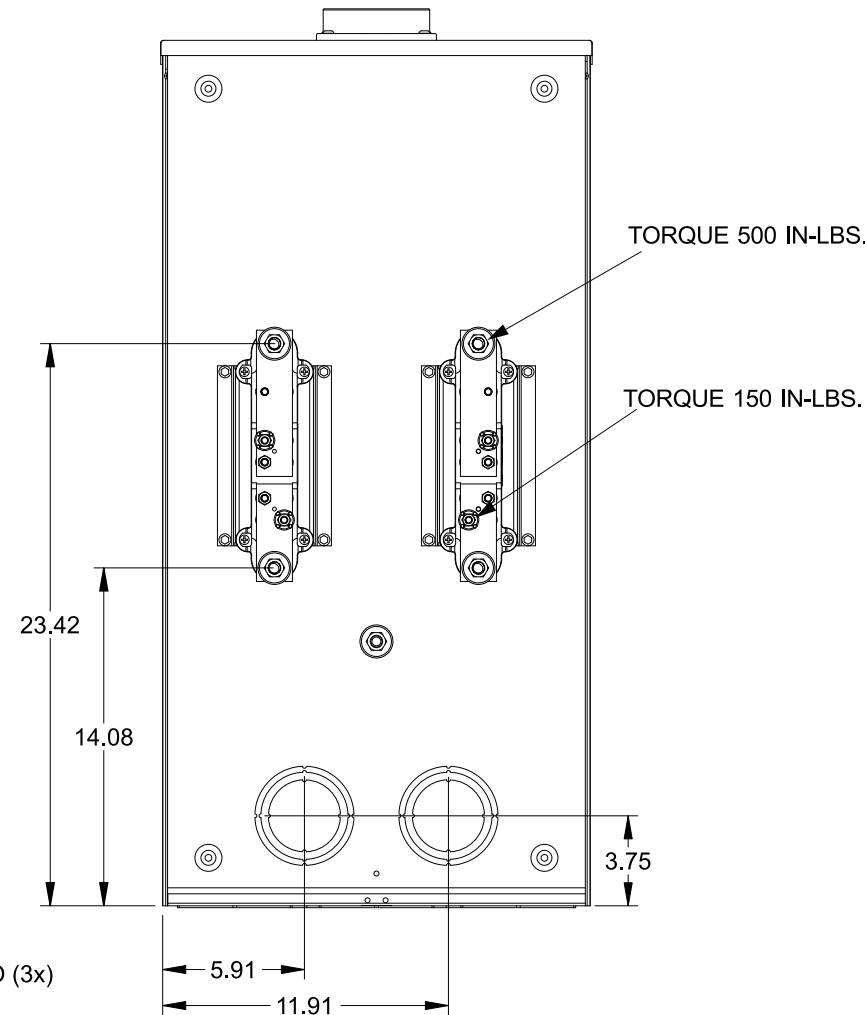
CONNECTOR	PART No.	WIRE SIZE	HEX DRIVE	TORQUE
LINE	56427	(2) #6 - 350 kcmil	5/16"	275 IN-LBS.
LOAD	56425	(2) #6 - 350 kcmil	5/16"	275 IN-LBS.
NEUTRAL	56426	(4) #6 - 350 kcmil	5/16"	275 IN-LBS.
GROUND	56734	#6 - 250 kcmil	5/16"	275 IN-LBS.



TYPE HD 3-1/2" HUB INSTALLED



VIEW SHOWN WITH COVER REMOVED



© 2016 Copyright Siemens Industry, Inc.

TALON
Meter Socket

Description: **400A Cont, 4 Terminal, K-4UT, 300V AC, Painted Steel Enclosure**

JEL 3/18/16 DO NOT SCALE DRAWING Dwg No: **9810-8545**