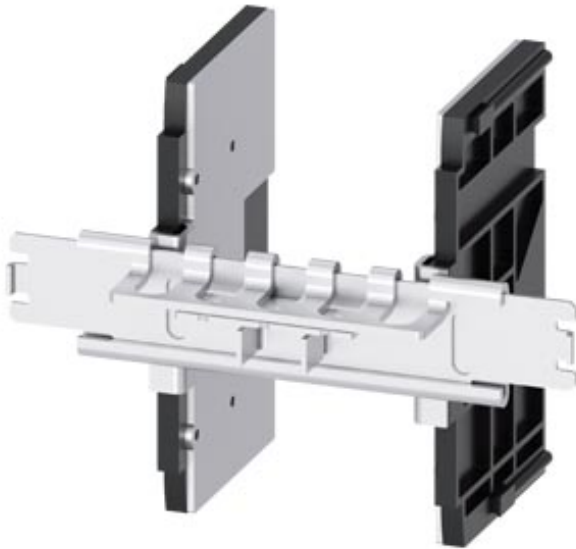





SLIDING BAR INTERLOCK ACCESSORY FOR: 3VA5 125



Model	
Product brand name	SETRON
Product designation	Accessories

Certificates			
General Product Approval	EMC	Declaration of Conformity	other
			<a href="#">Miscellaneous</a>



RCM



EG-Konf.

[Miscellaneous](#)

## Further information

**Information- and Downloadcenter (Catalogs, Brochures,...)**

<http://www.siemens.com/lowvoltage/catalogs>

**Industry Mall (Online ordering system)**

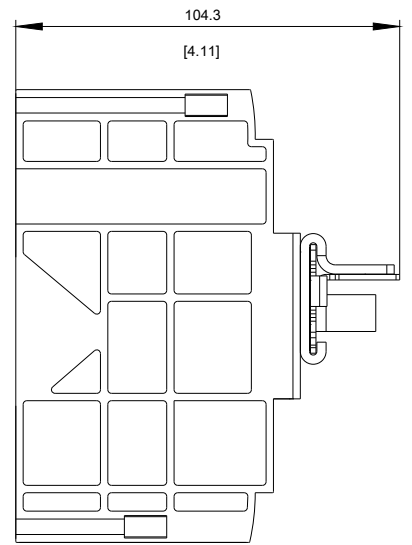
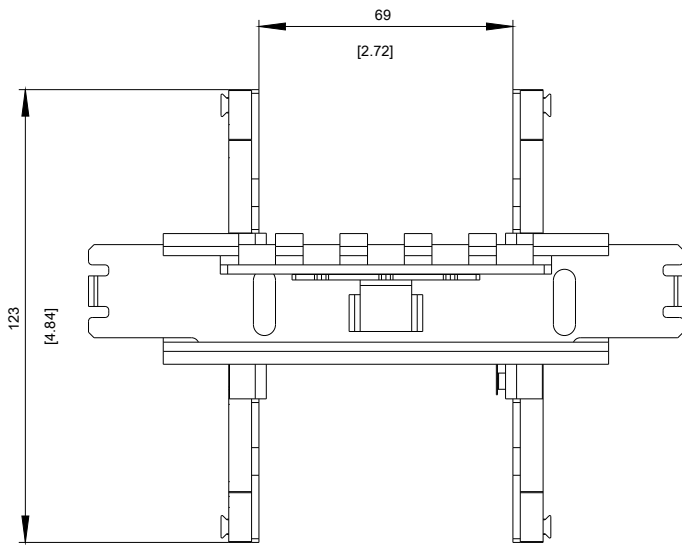
<https://mall.industry.siemens.com/mall/en/en/Catalog/product?mfb=3VA9138-0VF30>

**Service&Support (Manuals, Certificates, Characteristics, FAQs,...)**

<https://support.industry.siemens.com/cs/ww/en/ps/3VA9138-0VF30>

**Image database (product images, 2D dimension drawings, 3D models, device circuit diagrams, ...)**

[http://www.automation.siemens.com/bilddb/cax\\_en.aspx?mfb=3VA9138-0VF30](http://www.automation.siemens.com/bilddb/cax_en.aspx?mfb=3VA9138-0VF30)



**last modified:**

11/21/2017