

# SIEMENS

## Indoor/Outdoor Service Entrance Module

Catalog Number

**WES3600BU**

Enclosure

**Type 3R**

### Module Rating:

600 Amps, Max; See fuse for actual rating.  
208Y/120 Volts~, 60 HZ, 3 Phase, 4 Wire  
240/120 Volts~, 60 HZ, 3 Phase, 4 Wire, Delta (B Phase is High Leg)

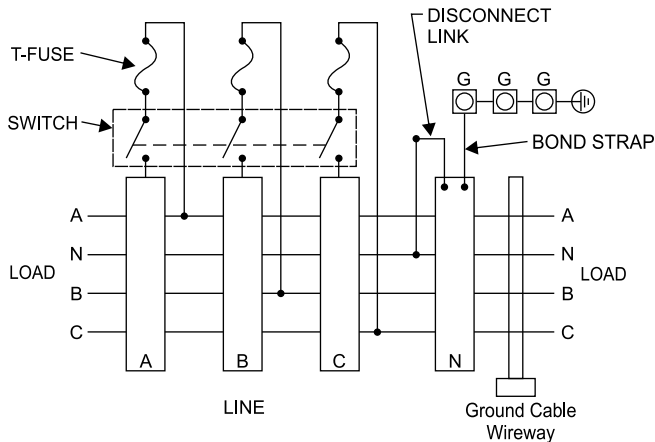
For installation by Qualified Person in accordance with all local electrical codes and/or the National Electrical Code®.

Meets EUSERC specifications.

**Suitable Only For Use As Service Equipment** unless bond strap is removed. Apply appropriate label provided next to switch handle.

For Underground Service Only.

**Use 75°C Copper or Aluminum Conductors.**



See adjacent labels for additional marking information.

49311205

Siemens Industry, Inc. Norcross, Georgia U.S.A.

**D**

409000801001 Rev.01

© The National Electrical Code is a registered trademark of the National Fire Protection Association.  
© 2019 Copyright Siemens Industry, Inc.

# SIEMENS

If cover interlock is defeated, it will be necessary for cover interlock plate to be positioned over opening and retightened.

This device has a maximum short circuit current rating of 100,000 amps RMS symmetrical at 240 Volts~. Use Class T (300V) fuses only. Continuous load current not to exceed 80% of the rating of the fuses in other than motor circuits.

### Lugs for Phase and Neutral Connections (not supplied)

NEMA Lug <sup>①</sup>	MFG	Wire Range	Type	No. Wires per phase	Torque (lb.-in.)
LK34500N2	Siemens	1/0-500 kcmil	Mechanical	4	500
LK33750N2	Siemens	300-750 kcmil	Mechanical	3	500 <sup>②</sup>
LK32750N2	Siemens	300-750 kcmil	Mechanical	2	500
LK32500N2E	Siemens	#2-500 kcmil	Mechanical	2	500
2ACL-500	ILSCO	500 kcmil	Compression	2	NA <sup>③</sup>
2ACL-750	ILSCO	750 kcmil	Compression	2	NA <sup>③</sup>

- ① Order one mechanical lug kit for main breaker and neutral conversions. Contact lug manufacturer for compression lug quantities supplied for each kit.
- ② Kit contains more than one lug type.
- ③ See lug manufacturer's instruction sheet supplied with the connector for tool, die, and number of crimps.

Ground terminal G: Wire size #4-300 kcmil Torque terminal to 250 lb.-in.

Torque fuse mounting hardware to 150 lb.-in.

**Connect Modules Using:** **Cat. No.** **Torque**  
Quick Connect QC4 400-440 lb-in (35-36 ft.-lb.)

### IMPORTANT - for use with:

Module Description	Siemens Series#
Main Breakers	WB(M), WEB(M), WXB(M), BFT(M)
Switches	WMP, WS, WES, WXS
Tap/Terminal Boxes	WTB, WET, WT PU, WTBN, WBT(M)
Pull Boxes	WMMB
Meter Module	(W)MM, (W)MT, (W)ML, (W)MK, (W)MLZ(F), (W)MN
Meter Combinations	WC, WCL, WCT,
Extension Box	WSP, WSPD
Bussed Elbow	BE, WELB

**Important:** Do not allow petroleum based (hydrocarbon) sprays, chemicals, solvents or any paint to contact interior components. Petroleum based chemicals can cause degradation of electrical insulating materials.

Siemens Industry, Inc. Norcross, Georgia U.S.A.

**D**

40900080201 Rev.01

© 2019 Copyright Siemens Industry, Inc.