

# SIEMENS

CATALOG NO. 1D1Y100BCTP1  
 SERIAL NO. SERIES H  
 100 kVA 60 Hz 1 PHASE  
 3.2 % IMP AT 100 °C

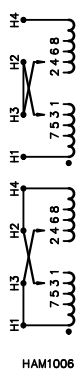
80 °C RISE 30 °C AVG. AMBIENT  
 220 °C TEMP CLASS 40 °C MAX. AMBIENT  
 PRIMARY ( H1 H3 H2 H4 ) 240X480 V  
 SECONDARY( X4 X2 X3 X1 ) 120/240 V

WINDING MATERIAL CU ENERGY REGULATION  
 ENCLOSURE TYPE NEMA-3R  
 WEIGHT 1200 LBS  
 SEE ACT SOR/2011-182

SPACINGS BETWEEN ENCLOSURE AND ANY ADJACENT  
 WALL SHALL BE A MINIMUM OF 6 INCHES  
 ALSO VERIFIED IN ACCORDANCE TO ENERGY STANDARD C902.2-06  
 BY UNDERWRITERS LABORATORIES INC. © 3VJ6

SUITABLE FOR INDOOR LOCATIONS  
 DO NOT USE IN AREAS ACCESSIBLE TO THE PUBLIC  
 BEFORE HANDLING, INSTALLING AND OPERATING, SEE INSTRUCTION MANUAL

NEMA Class ANN Dry Type Transformer Siemens Industry, Inc. Norcross, GA



VOLTS	INPUT LINE ON H1 & H4 CONNECT
504	H2-1, H3-2
492	H3-2, H2-3
480	H2-3, H3-4
468	H3-4, H2-5
456	H2-5, H3-6
444	H3-6, H2-7
432	H2-7, H3-8
252	H2-1, H3-2
240	H2-3, H3-4
228	H2-5, H3-6
216	H2-7, H3-8

VOLTS	CONNECT	OUTPUT LINE
120	X1-X3, X2-X4	X1-X4
240	X2-X3	X1-X4
120/240	X2-X3	X1-X2-X4

TYPE F



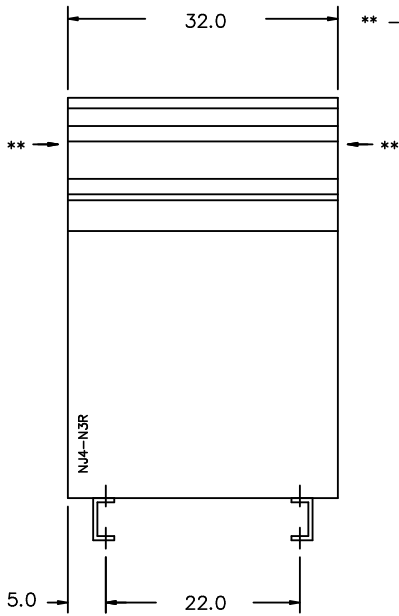
dsu0472e1

REVISION	DATE	BY	DATE	BY
		DRAWN	07/02/09	GP
		CHEK'D		
		VERIF'D		

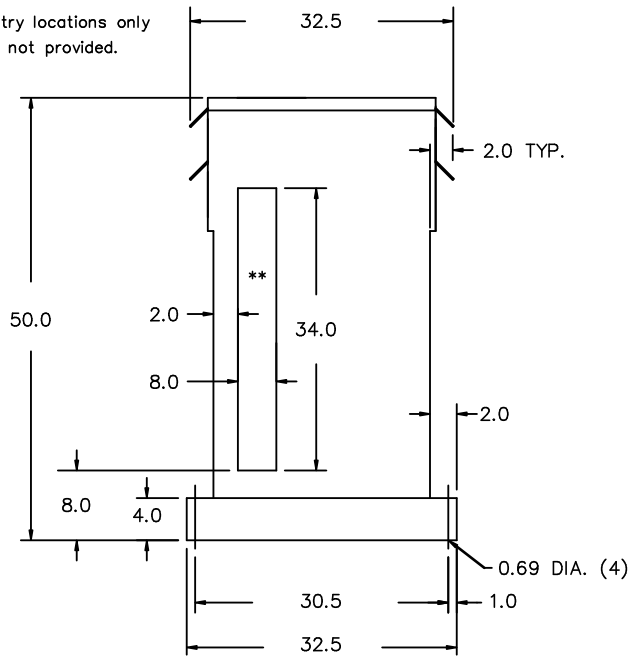
Confidential - Property of Siemens Industry, Inc. Building Technologies Division	
CUSTOMER	
ORDER NO.	DWG. NO. 1D1Y100BCTP1
	SH 1 OF 2

FRONT VIEW

SIDE VIEW



\*\* - Recommended cable entry locations only  
cutouts & gland plates not provided.



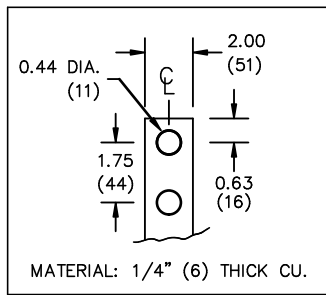
All Dimensions in inches

ENCLOSURE COLOR : ANSI 61 GREY - OUTDOOR

H.V.1. TERMINAL DETAIL

L.V.1. TERMINAL DETAIL

MECHANICAL TYPE LUGS INCLUDED  
SUITABLE FOR 600MCM-2 CU/AL  
CONDUCTORS  
1 CONDUCTOR PER PHASE



CUSTOMER NOTES:

- HV1 TERMINATED AT TOP FRONT
- LV1 TERMINATED AT BOTTOM FRONT

Confidential - Property of  
**Siemens Industry, Inc.**  
Building Technologies Division

REVISION	DATE	BY	DATE	BY	CUSTOMER
		DRAWN	07/02/09	GP	
		CHEK'D			
		VERIF'D			
					ORDER NO.
					DWG. NO.
					1D1Y100BCTP1
					SH 2 OF 2

0.3 gpatel 2013/07/30 09:31