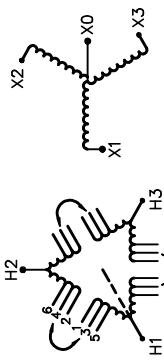




REVISION	DATE	BY	DATE	BY
		DRAWN	19/05/15	PP
		CHEK'D		
		VERIF'D		

CUSTOMER		Siemens Industry, Inc.	
ORDER NO.	DWG. NO.		
	3F3T000D16		SH 1 OF 3

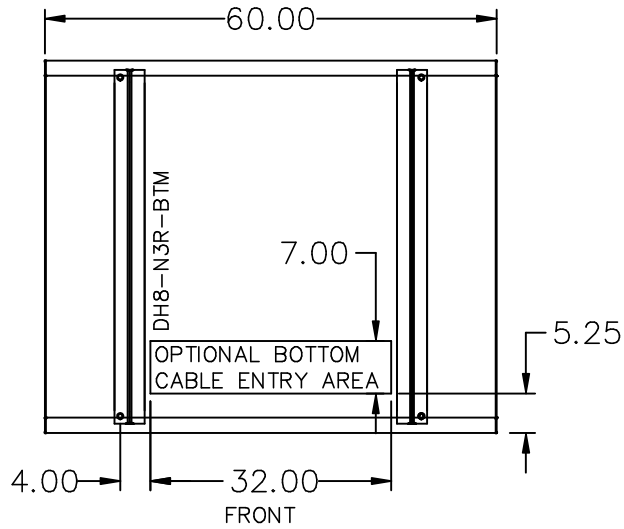
SIEMENS

<p>CATALOG NO. 3F3T000D16</p> <p>SERIAL NO.</p> <p>1000 kVA    60 Hz    3 PHASE</p> <p>6.3 % IMP AT 170 °C</p> <p>150 °C RISE    30 °C AVG. AMBIENT</p> <p>220 °C TEMP CLASS    40 °C MAX. AMBIENT</p> <p>PRIMARY ( H1 H2 H3 )    480V    V 10 kV BIL</p> <p>SECONDARY( X0 X1 X2 X3 )    208Y/120V    V 10 kV BIL</p> <p>WINDING MATERIAL    AL</p> <p>ENCLOSURE TYPE 3R    WEIGHT 5650LBS</p> <p>ENERGY EFFICIENCY EXCEEDS CSA    D0E 10 CFR PART 431:2016</p> <p>SPACINGS BETWEEN ANY VENTILATED ENCLOSURE PANEL AND ANY ADJACENT WALL SHALL BE A MINIMUM OF 12 INCHES</p>	<p style="text-align: center;">H2    H3</p>  <p style="text-align: center;">CONNECT</p> <p style="text-align: center;">1-2 2-3 3-4 4-5 5-6</p>	<p style="text-align: center;">VOLTS</p> <p style="text-align: center;">504 492 480 468 456</p>
<p>SUITABLE FOR INDOOR OR OUTDOOR LOCATIONS BEFORE HANDLING, INSTALLING AND OPERATING, SEE INSTRUCTION MANUAL</p> <p>NEMA Class <b>ANN</b> Dry Type Transformer    Siemens Industry, Inc. Norcross, GA <small>des0086e</small></p>		<p style="text-align: center;">TYPE K</p> <div style="display: flex; justify-content: space-around; align-items: center;">   </div> <p style="font-size: 8pt;">DRY TYPE TRANSFORMER E112313 LR 3902</p> <p style="font-size: 8pt;">SEISMIC QUALIFICATIONS, FLOOR MOUNT ONLY OSP-0136-10 IBC 2012/ASCE 7-10 SDS&lt;=2.0g Z/h=1 Ip=1.5</p>





ENCLOSURE BOTTOM VIEW



NOTE:  
 WHEN BOTTOM CABLE ENTRY IS OPTED, THE SPACE USED FOR CONDUITS IN THE FRONT OF THE TRANSFORMER SHOULD NOT OBSTRUCT MORE THAN 50% OF THE FRONT AIR INTAKE AREA DEFINED BETWEEN THE BOTTOM PLATE AND THE SUPPORTING LEGS.  
 SEE MANUAL FOR ADDITIONAL INFORMATION

Siemens Industry, Inc.

REVISION	DATE	BY	DATE	BY	CUSTOMER		
			19/05/15	PP			
			CHEK'D				
			VERIF'D				
					ORDER NO.	DWG. NO.	
						3F3T000D16	SH 3 OF 3