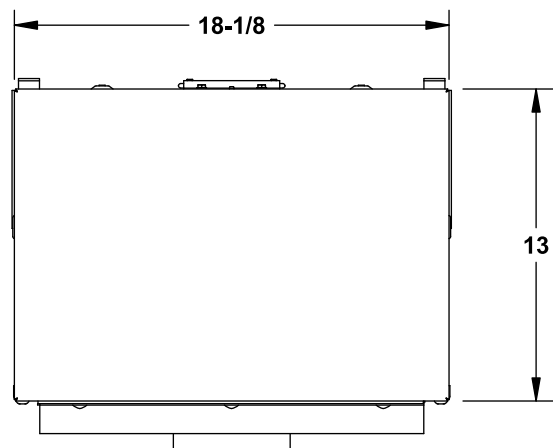


Features

- TYPE 3R OUTDOOR ENCLOSURE
- MAIN BUS RATING: 1200A MAX.
- 208Y/120 Volts~, 3 Phase, 4 Wire
240/120 Volts~, 3 Phase, 4 Wire

Catalog Numbers

Catalog No.	Phase	Amperage Rating, Max.	Maximum Interrupting Rating
WXB3700N	3	700	65,000
WXB3700NU	3	700	100,000
WXB3800N	3	800	65,000
WXB3800NU	3	800	100,000



Accessories

Ground Bar Kit: Catalog No. ECGB10

Terminal	Wire Size	Torque
Equipment	#10 - #14 CU	20 lb-in
Ground Bar	#10 - #12 AL	20 lb-in
	#8 CU/AL	25 lb-in
	#6 - #4 CU/AL	35 lb-in

USE ONLY NON-INTERCHANGEABLE TRIP BREAKER TYPES

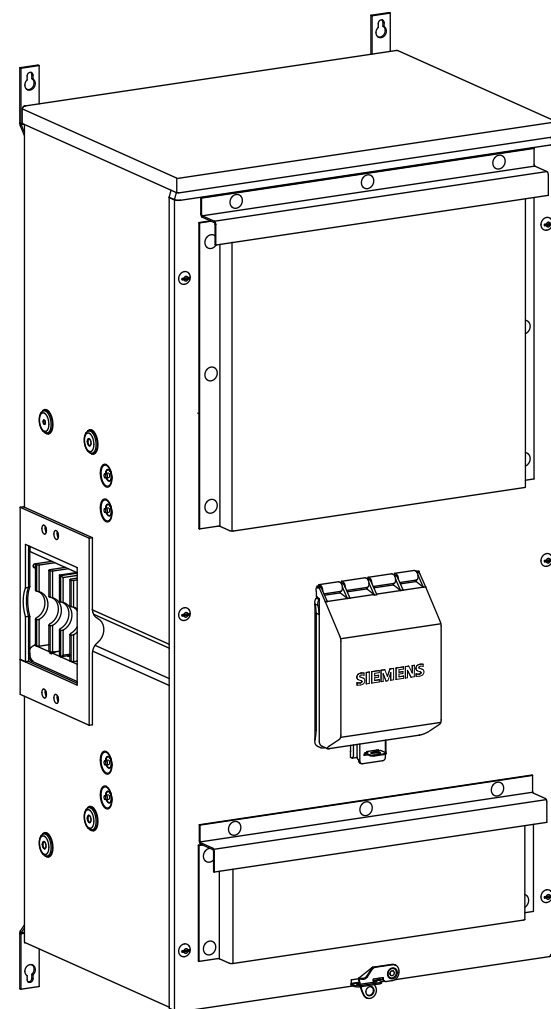
Breaker Type	Rating
MXD6	65k AIC
HMXD6	100k AIC

Accessory Description	Catalog No.
Breaker Cover Repl.	ECMMBCM
Cover Screws	ECMFCS
Loose Parts Kit	ECMFPK
Mounting Tabs (2)	ECMFTAB
QuickRoll Wheel Clip	ECMFWLCLIP
End Closure Plate	WMEP
Mounting Clip	MMCLIP
Wall Mounting Rail (60")	MMZR60
Mounting Rail	MMRAIL

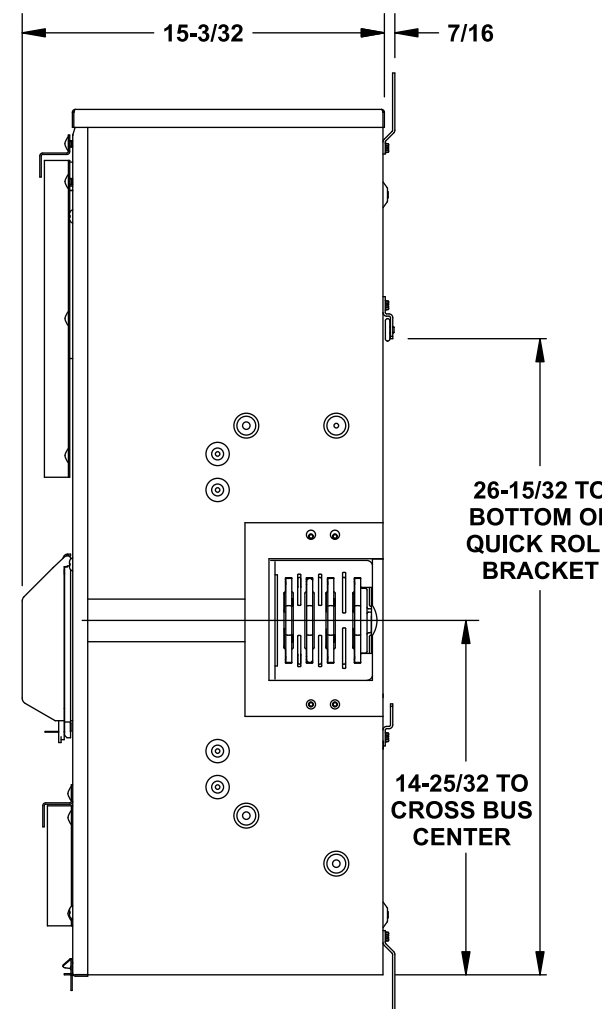
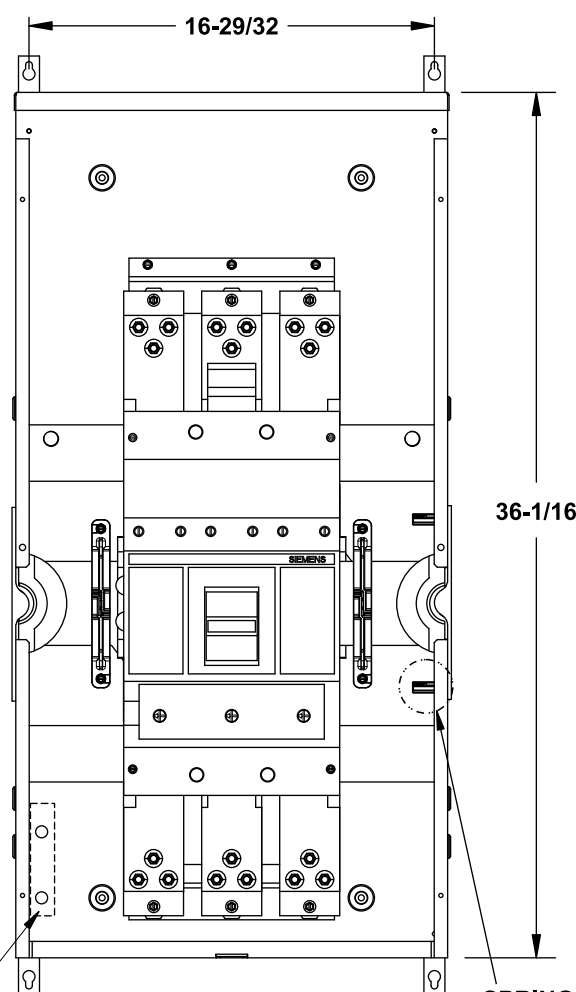
Additional Modules

FOR USE WITH:		
Module Description	Siemens Series#	Murray Series#
Main Breakers	(W)MC, WB, WEB	DB_W
Switches	WMP, WMS, WS, WES	DPT_W, DT_W
Tap/Terminal Boxes	WMTB, WTB, WET	DTB_W
Pull Boxes	WMMB, WT_PU	DPB_W
Meter Module	WMM, WxMM, WMT, WML, WMK	DG_W, DC_W, DL_W
Extension Box	WMEX, WSP	DS
Bussed Elbow	BE	DL

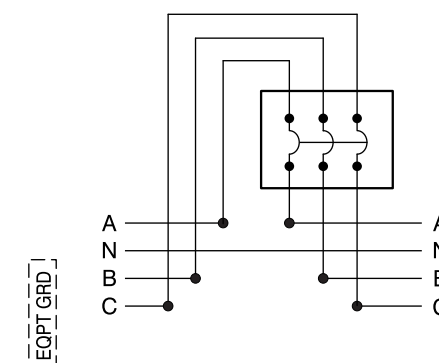
Connect Modules Using:	Catalog Number / Torque
QuickConnect	QC4 (3ph) 400-440 lb-in (35-36 ft.-lb.) Torque
Single Bolt Joint	SBJ4 (3ph) 400-480 lb-in (35-40 ft.-lb.) Torque



View Shown with Cover Removed

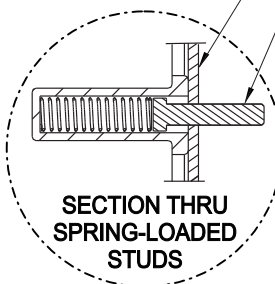


Schematic



When this module is used as a Service Disconnect, apply "Service Disconnect" label near the breaker handle cover. In all other applications, apply the "Feeder Breaker" label near the breaker handle cover.

#10-32 x 7/8 SCREWS ENCLOSURE WALL



SECTION THRU SPRING-LOADED STUDS

© 2012 Copyright Siemens Industry, Inc.

SIEMENS
Siemens Industry, Inc.

PowerMod™ Cross Bus Main

Catalog Numbers:
3 Phase, 700-800A, 65k-100kAIC Modules

Size B Dwg. No. **WXB3700N-WXB3800NU**

Dwn KAM Date 11/2/12 DO NOT SCALE DRAWING SHEET 1 OF 1